



**T&S BRASS AND BRONZE WORKS, INC.**

2 SADDLEBACK COVE / P.O. BOX 1088 / TRAVELERS REST, SC 29690

PHONE 800-476-4103

FAX 864-834-3518



REG. # A2601  
ISO # 9001

Model No.

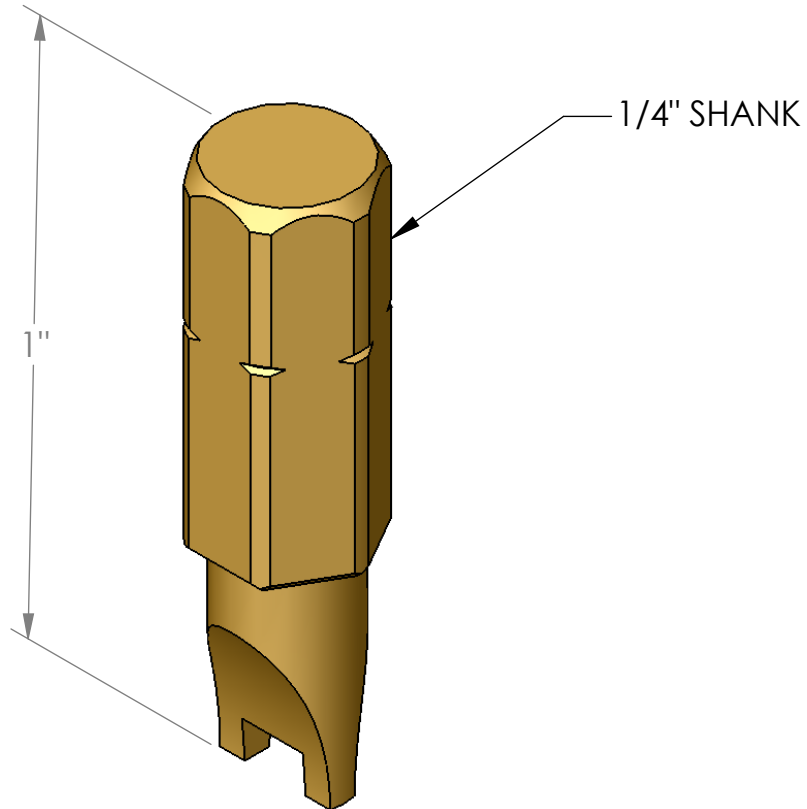
Item No.

**014734-45**

Job Name:

Architect/Engineer Approval:

Notes:



Product Description:

**#8 SPANNER BIT**

Drawn:

LEL

Checked:

MVW

Scale:

4:1

Approved:

MVW

Date:

3/18/2004