



T&S BRASS AND BRONZE WORKS, INC.
 2 Saddleback Cove / P.O. Box 1088
 Travelers Rest, SC 29690

Model No.

014152-40

Item No.

Travelers Rest, SC: 800-476-4103 • Simi Valley, CA: 800-423-0150 • Fax: 864-834-3518 • www.tsbrass.com

This Space for Architect/Engineer Approval

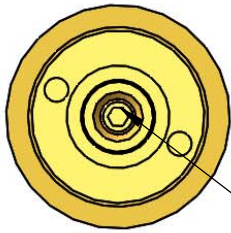
Job Name _____ Date _____

Model Specified _____ Quantity _____

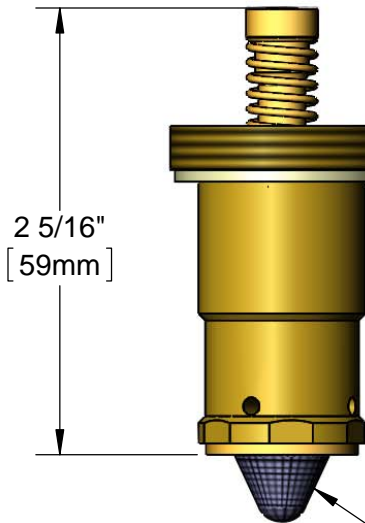
Customer/Wholesaler _____

Contractor _____

Architect/Engineer _____



Metering Adjustment Screw
 (Requires 3/32" Hex Key Wrench)



2 5/16"
 [59mm]

1.165-18UNS
 Note: Interchangeable w/ Push Button,
 Wrist Action & Foot Pedal
 Assemblies

Santoprene Seals

Filter Washer

Product Specifications:
 Metering Barrel Assembly

Product Compliance:
 ASME A112.18.1 / CSA B125.1
 NSF 372 (Low Lead Content)
 NSF 61 - Section 9