



T&S BRASS AND BRONZE WORKS, INC.

2 SADDLEBACK COVE / P.O. BOX 1088 / TRAVELERS REST, SC 29690

PHONE 800-476-4103

FAX 803- 834-3518



REG.#A2601
ISO #9002

Model No.

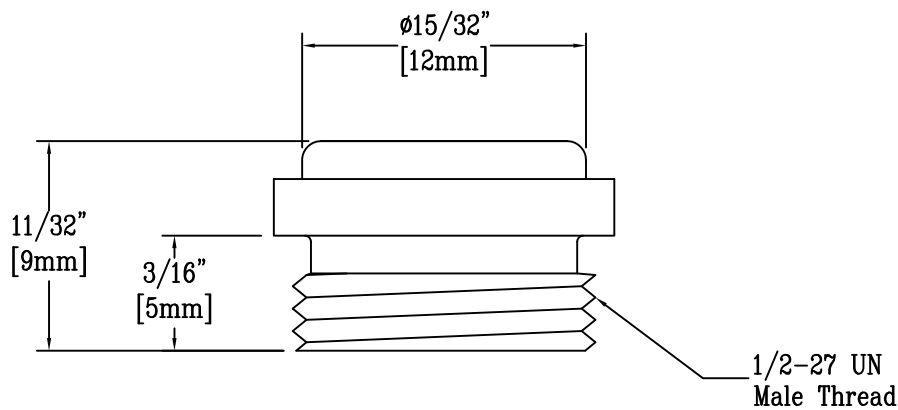
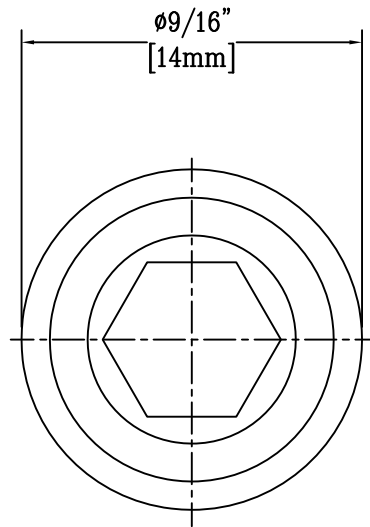
014136-45

Item No.:

Job Name:

Architect/Engineer Approval:

Notes:



Note:

Seat Also Available in Brass Upon Request

(Sales Number 000763-20 / Sold Individually)

Product Description:

B-1100 Stainless Steel Removable Seat
(Two Seats Per Package)

Drawn:

KJG

Approved

JHB

Checked

JRM

Scale:

NTS

Date:

09/02/10