

This Space For Architect/Engineer Approval

Job Name _____ Date _____

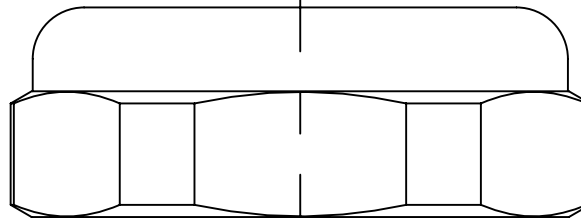
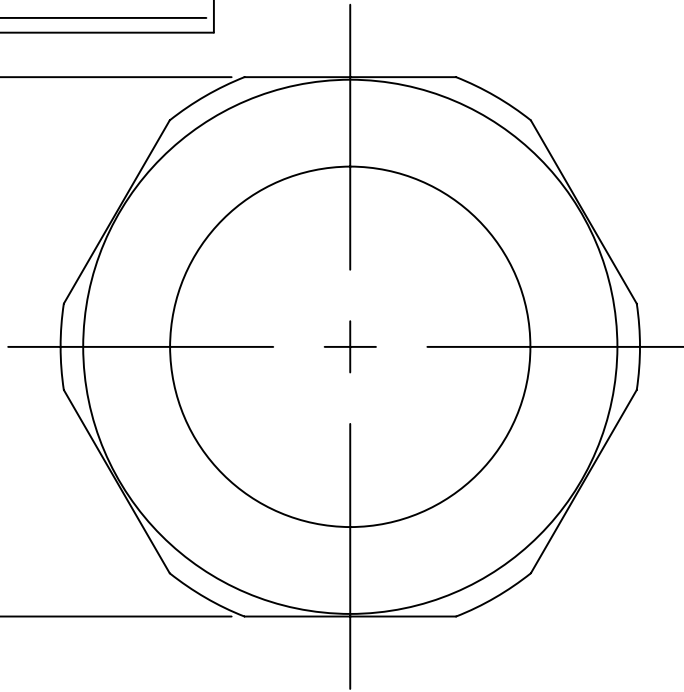
Model Specified _____ Quantity _____

Customer/Wholesaler _____

Contractor _____

Architect/Engineer _____

1 5/16
HEX



1 1/8" - 18 UNEF - 2B
THREAD

MODEL NUMBER 013839-25

DATE 3/21/06

SCALE 4:1

DRAWN DHL

CHECKED WJS

APPROVED JHB



DESCRIPTION

SWIVEL NUT

equip Foodservice Accessories
P.O. BOX 1088, 2 SADDLEBACK COVE
TRAVELERS REST, SOUTH CAROLINA 29690
PHONE: 800.891.4808 FAX: 800.868.0084