



**T&S BRASS AND BRONZE WORKS, INC.**  
 2 Saddleback Cove / P.O. Box 1088  
 Travelers Rest, SC 29690

Model No.  
**013434-40**

Item No.

Travelers Rest, SC: 800-476-4103 • Simi Valley, CA: 800-423-0150 • Fax: 864-834-3518 • www.tsbrass.com

This Space for Architect/Engineer Approval

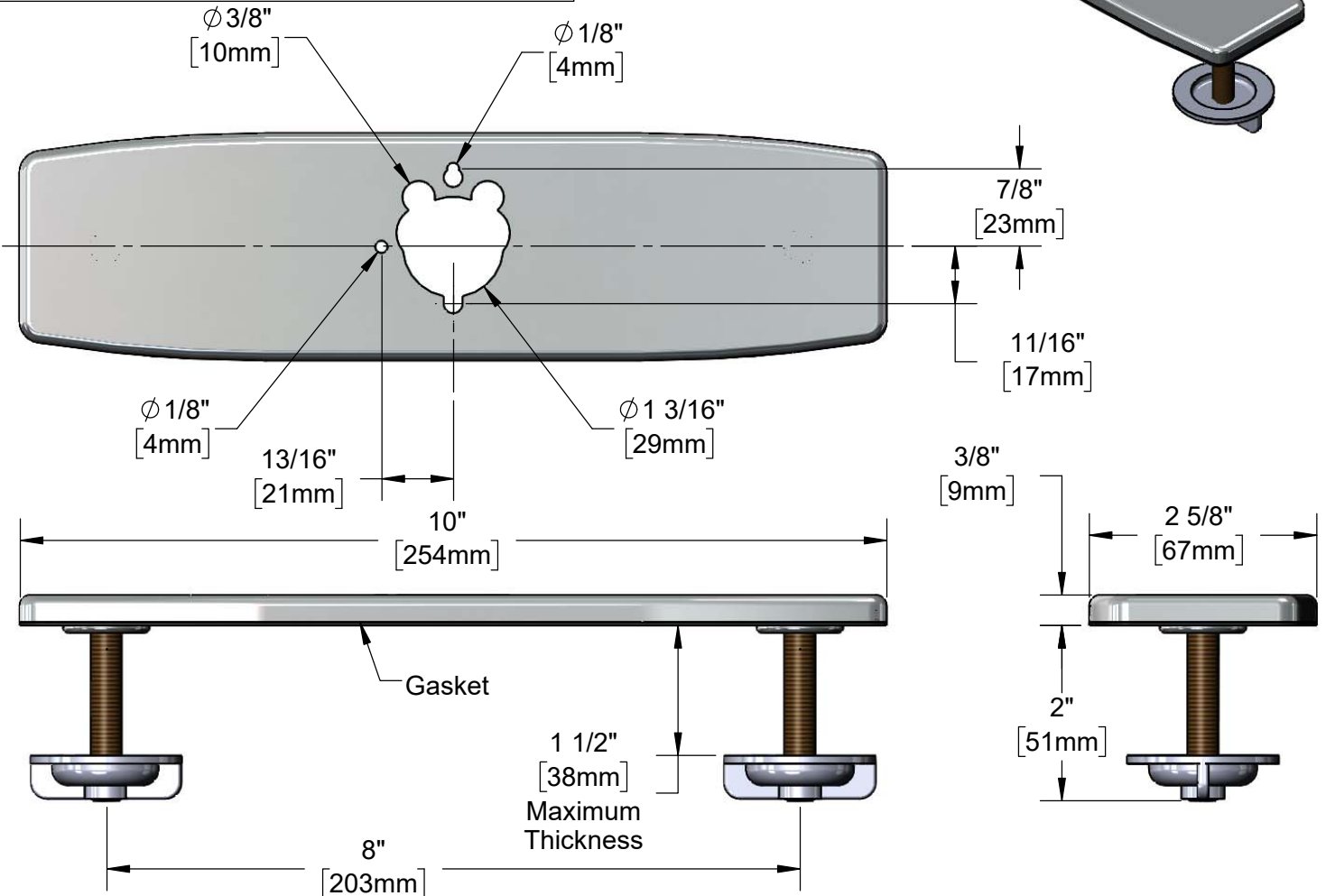
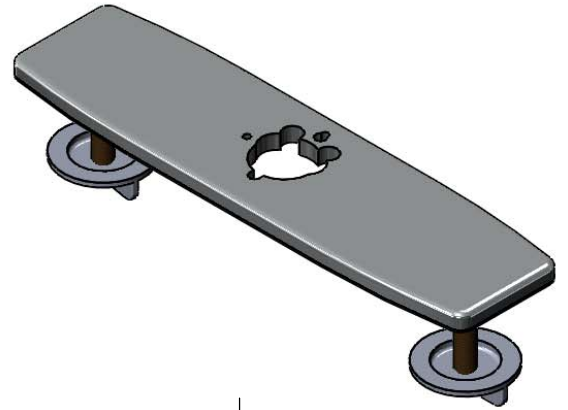
Job Name \_\_\_\_\_ Date \_\_\_\_\_

Model Specified \_\_\_\_\_ Quantity \_\_\_\_\_

Customer/Wholesaler \_\_\_\_\_

Contractor \_\_\_\_\_

Architect/Engineer \_\_\_\_\_



**Notes:**

- "Old-Style" **B-0712/B-2460** Series Faucets (Produced Before April 2020)  
 Require the **019369-25** Base Ring and Deck Plate Spacer (Sold Separately).
- "New-Style" **B-0712/B-2460** Series Faucets (Produced Since April 2020)  
 Require the **020231-20** Deck Plate Spacer (Sold Separately).

**Rough-In Requirement:**

- $\phi 1"$  [25mm] Center Hole
- (2)  $\phi 1 1/8"$  [28mm] Mounting Holes

Product Specifications:  
 8" Forged Deck Plate w/ Mounting Hardware  
 (Chrome Plated Brass)

Product Compliance: