



**T&S BRASS AND BRONZE WORKS, INC.**  
 2 Saddleback Cove / P.O. Box 1088  
 Travelers Rest, SC 29690

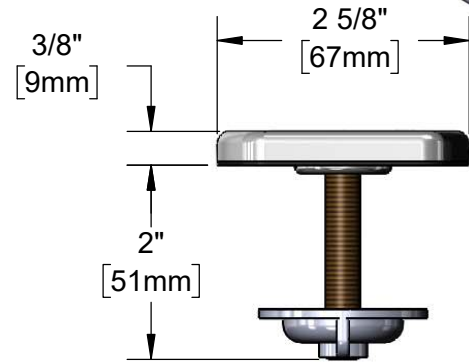
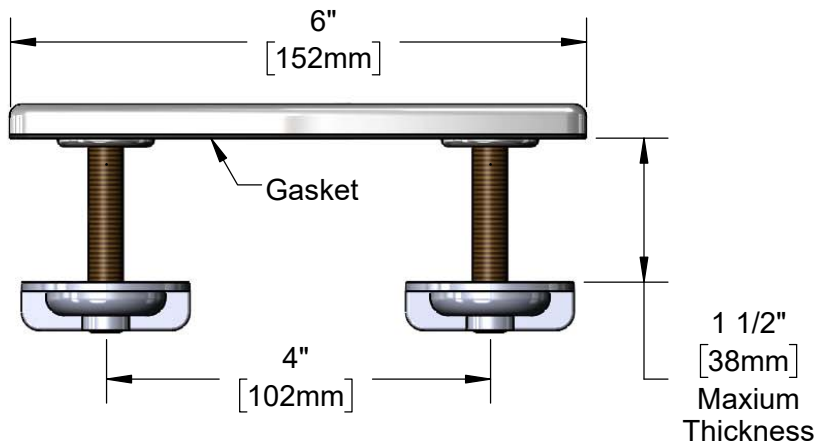
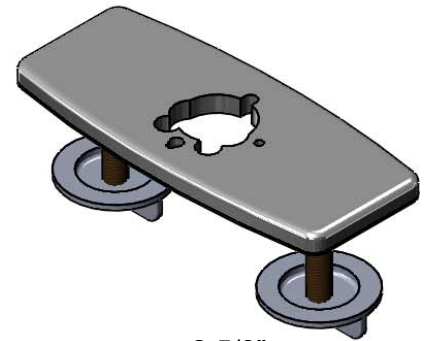
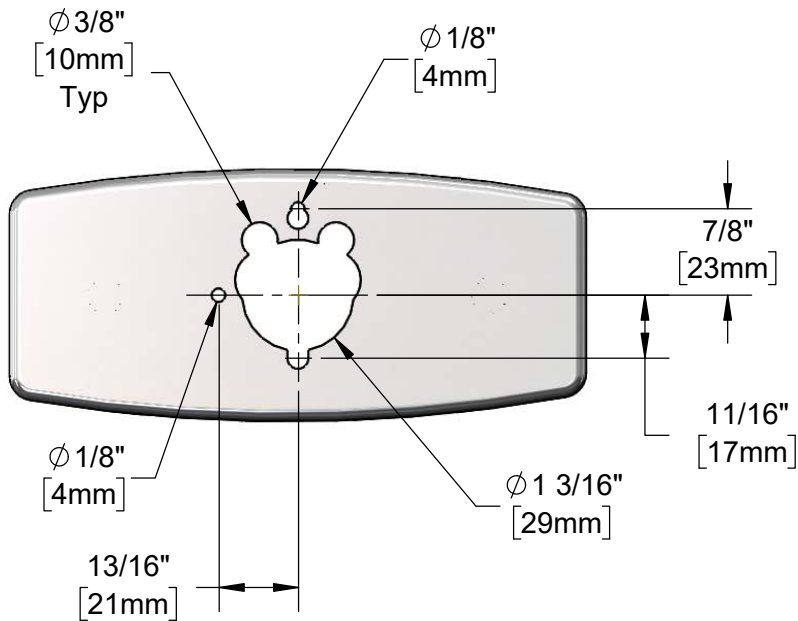
Model No.  
**013433-40**

Item No.

Travelers Rest, SC: 800-476-4103 • Simi Valley, CA: 800-423-0150 • Fax: 864-834-3518 • www.tsbrass.com

This Space for Architect/Engineer Approval

Job Name \_\_\_\_\_ Date \_\_\_\_\_  
 Model Specified \_\_\_\_\_ Quantity \_\_\_\_\_  
 Customer/Wholesaler \_\_\_\_\_  
 Contractor \_\_\_\_\_  
 Architect/Engineer \_\_\_\_\_



Notes:

- "Old-Style" B-0712/B-2460 Series Faucets (Produced Before April 2020)  
 Require the 019369-25 Base Ring and Deck Plate Spacer (Sold Separately).
- "New-Style" B-0712/B-2460 Series Faucets (Produced Since April 2020)  
 Require the 020231-20 Deck Plate Spacer (Sold Separately).

Rough-In Requirement:  
 Ø 1" [25mm] Center Hole  
 (2) Ø 1 1/8" [28mm] Mounting Holes

Product Specifications:  
 4" Forged Deck Plate w/ Mounting Hardware  
 (Chrome Plated Brass)

Product Compliance: