



T&S BRASS AND BRONZE WORKS, INC.

2 Saddleback Cove / P.O. Box 1088
Travelers Rest, SC 29690



REG. #A2601
ISO #9001

Model No.

011406-40

Item No.

Travelers Rest, SC: 800-476-4103 Simi Valley, CA: 800-423-0150 Fax: 864-834-3518 www.tsbrass.com

This Space for Architect/Engineer Approval

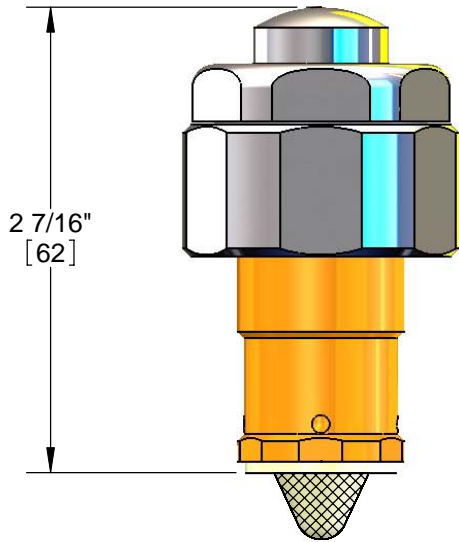
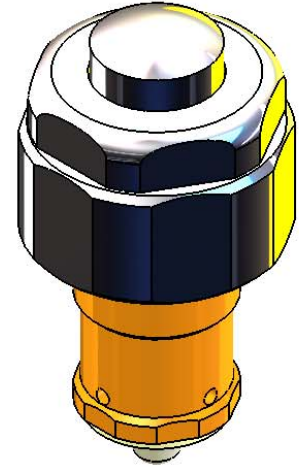
Job Name _____ Date _____

Model Specified _____ Quantity _____

Customer/Wholesaler _____

Contractor _____

Architect/Engineer _____



Product Specifications:
Foot Pedal Metering Cartridge Assembly

Drawn DMH	Checked GEF	Approved JHB
Scale: 1:1		Date: 07/09/08



T&S BRASS AND BRONZE WORKS, INC.

2 Saddleback Cove / P.O. Box 1088
Travelers Rest, SC 29690



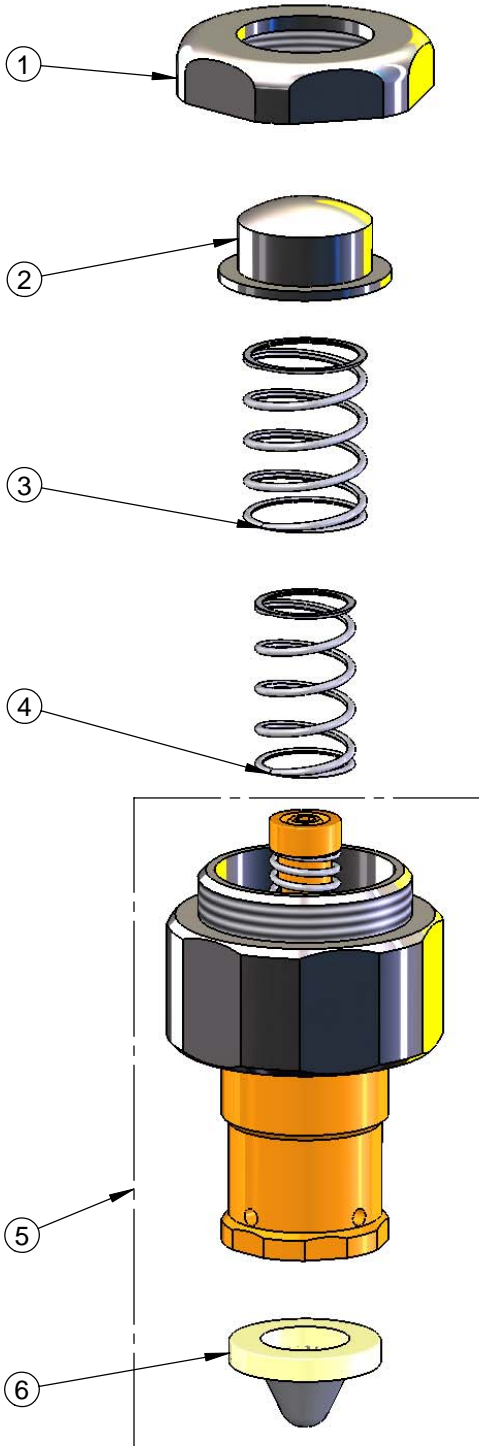
REG. #A2601
ISO #9001

Model No.

011406-40

Item No.

Travelers Rest, SC: 800-476-4103 Simi Valley, CA: 800-423-0150 Fax: 864-834-3518 www.tsbrass.com



ITEM NO.	SALES NO.	DESCRIPTION
1	014388-20	Slow Close Cap
2	011318-25	Button
3	011398-45	Spring
4	011405-45	Spring, Slow Close
5	014385-40	Metering Ctg Asm
6	017182-45	Filter Washer

Product Specifications:
Foot Pedal Metering Cartridge Assembly

Drawn DMH	Checked GEF	Approved JHB
Scale: 1:1		Date: 07/09/08