



# T&S BRASS AND BRONZE WORKS, INC.

2 Saddleback Cove / P.O. Box 1088  
Travelers Rest, SC 29690



REG. #A2601  
ISO #9001

Model No.

**010594-40**

Item No.

Travelers Rest, SC: 800-476-4103 Simi Valley, CA: 800-423-0150 Fax: 864-834-3518 www.tsbrass.com

This Space for Architect/Engineer Approval

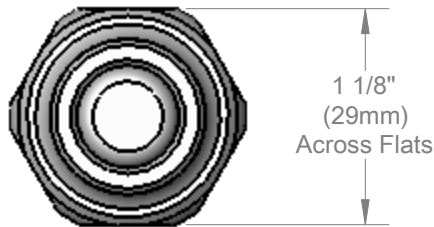
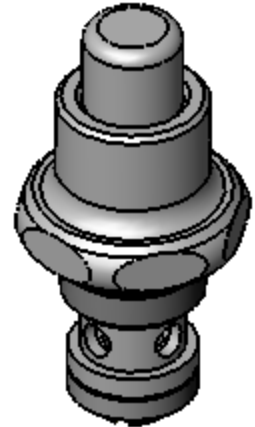
Job Name \_\_\_\_\_ Date \_\_\_\_\_

Model Specified \_\_\_\_\_ Quantity \_\_\_\_\_

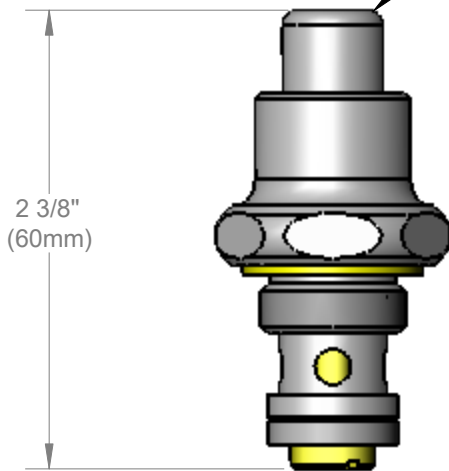
Customer/Wholesaler \_\_\_\_\_

Contractor \_\_\_\_\_

Architect/Engineer \_\_\_\_\_



Brass Push Button



Product Specifications:  
European **008A** Bonnet Asm.

Drawn  
WJS

Checked  
JHB

Approved  
04/07/06

Scale:

1:1

Date:

JHB



# T&S BRASS AND BRONZE WORKS, INC.

2 Saddleback Cove / P.O. Box 1088  
Travelers Rest, SC 29690



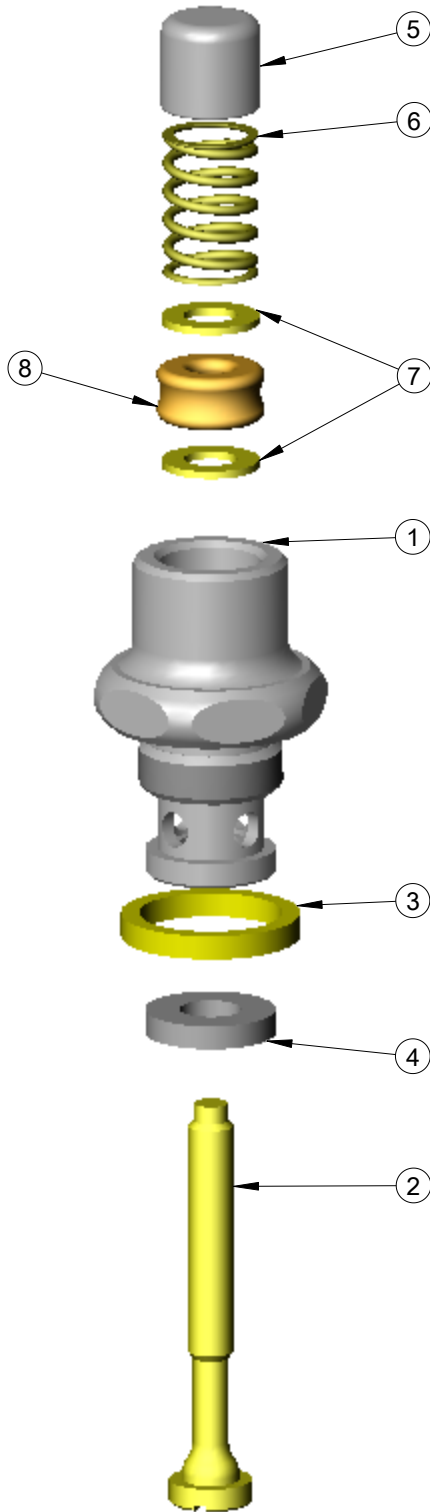
REG. #A2601  
ISO #9001

Model No.

**010594-40**

Item No.

Travelers Rest, SC: 800-476-4103    Simi Valley, CA: 800-423-0150    Fax: 864-834-3518    www.tsbrass.com



ITEM NO.	SALES NO.	DESCRIPTION
1	<a href="#">000608-25</a>	B-107 Bonnet
2	<a href="#">009306-20</a>	Valve Stem
3	<a href="#">010565-45</a>	Binding Washer
4	<a href="#">010563-45</a>	Seat Washer
5	<a href="#">000753-25</a>	Push Button
6	000895-25	Spring
7	<a href="#">000974-45</a>	B-107 Bonnet Washer
8	<a href="#">014615-45</a>	Quad Seal

Product Specifications:

European [008A](#) Bonnet Asm.

Drawn

WJS

Checked

JHB

Approved

04/07/06

Scale:

1:1

Date:

JHB