



T&S BRASS AND BRONZE WORKS, INC.
 2 Saddleback Cove / P.O. Box 1088
 Travelers Rest, SC 29690

Model No.

010482-40

Item No.

Travelers Rest, SC: 800-476-4103 • Simi Valley, CA: 800-423-0150 • Fax: 864-834-3518 • www.tsbrass.com

This Space for Architect/Engineer Approval

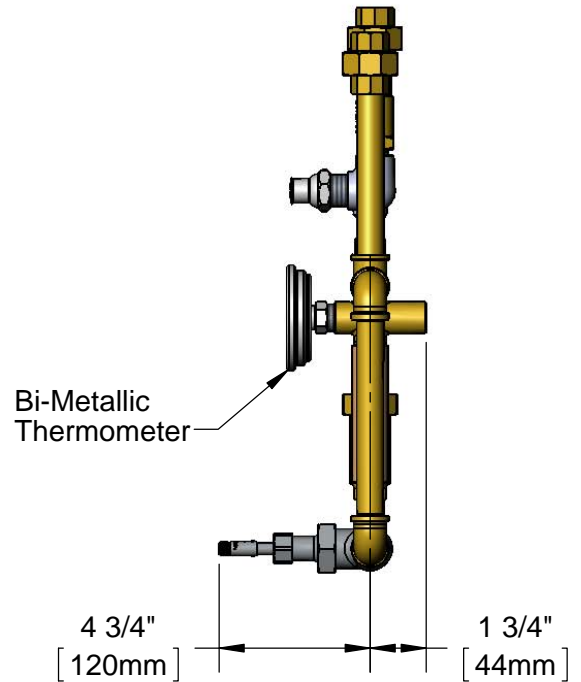
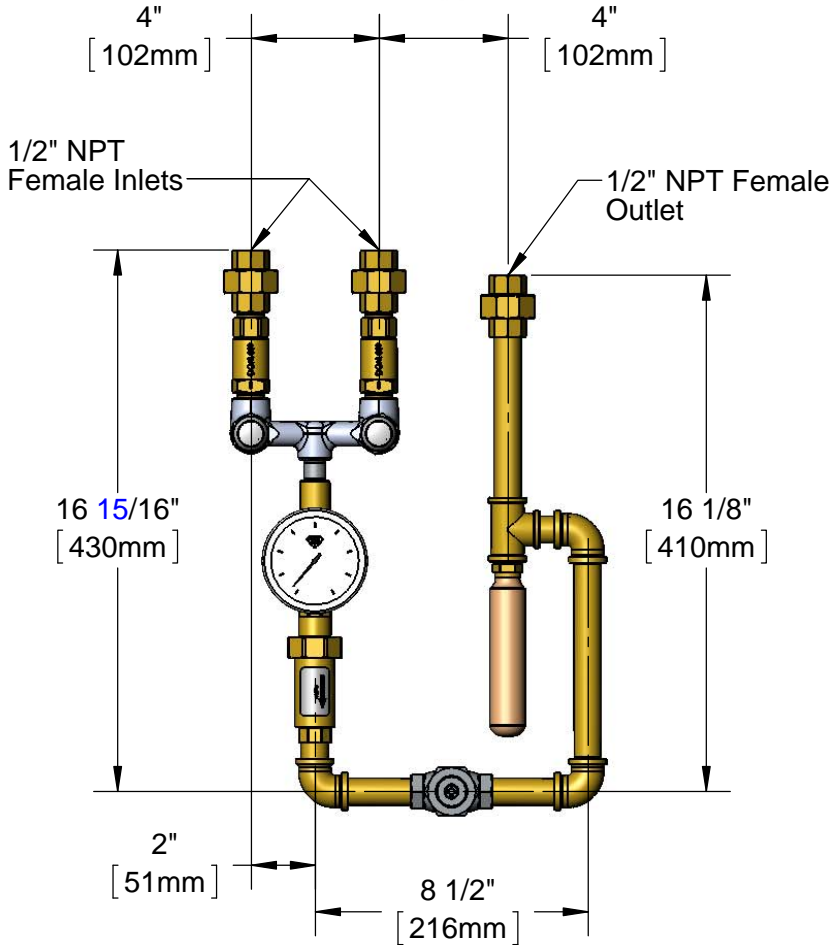
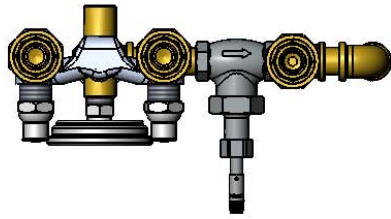
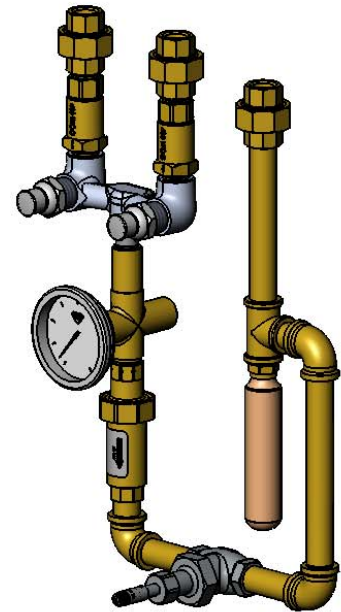
Job Name _____ Date _____

Model Specified _____ Quantity _____

Customer/Wholesaler _____

Contractor _____

Architect/Engineer _____



Product Specifications:
B-2339 Valve Piping Assembly w/ Control Valve, Dual Check Valves, Thermometer & Water Hammer Arrestor

Product Compliance:
 NSF 61 Exempt (Non-Potable)
 ASSE 1024
 CSA B64.8



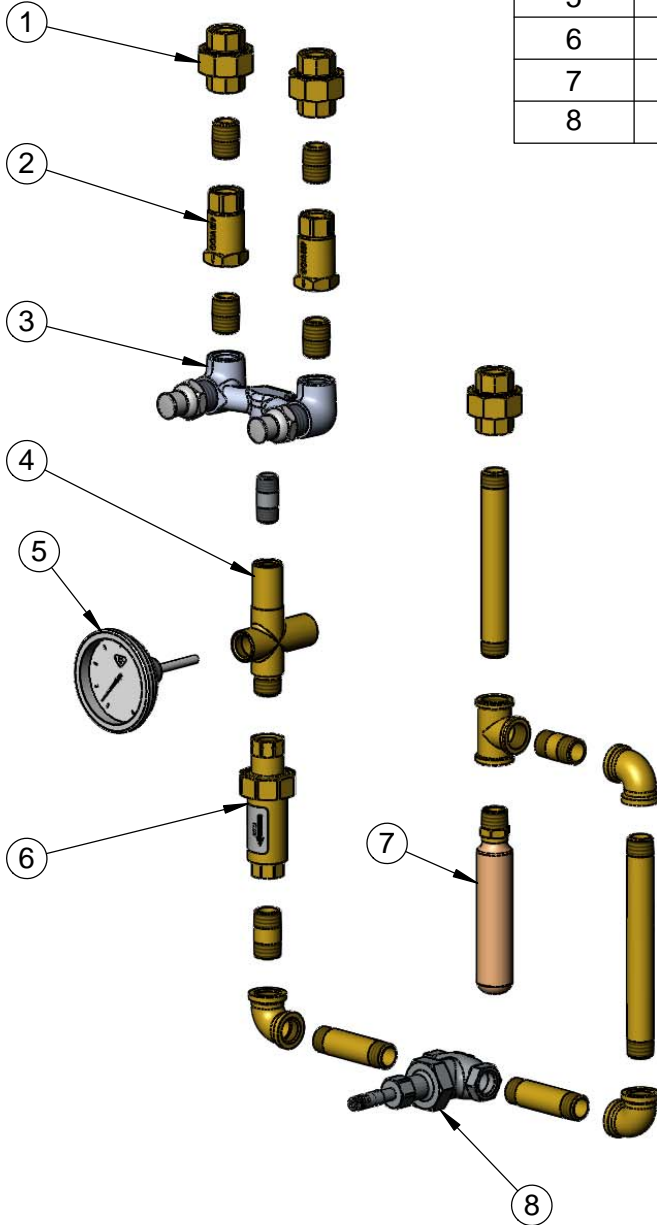
T&S BRASS AND BRONZE WORKS, INC.
 2 Saddleback Cove / P.O. Box 1088
 Travelers Rest, SC 29690

Model No.
010482-40

Item No.

Travelers Rest, SC: 800-476-4103 • Simi Valley, CA: 800-423-0150 • Fax: 864-834-3518 • www.tsbrass.com

ITEM NO.	SALES NO.	DESCRIPTION
1	006649-20	Union, 1/2" 250#
2	B-CVH1-2	1/2" Check Valve
3	ORK1	Mixing Valve Assembly
4	B-2339-TEE	Thermometer Tee, 1/2" Male x 3/8" Female
5	003799-45	Thermometer, Bi-Metal
6	007842-45	Dual Check Valve Backflow Preventer
7	009401-45	Water Hammer Arrestor
8	011927-25	Globe Valve w/ Spline Adapter



Product Specifications:
B-2339 Valve Piping Assembly w/ Control Valve, Dual Check Valves,
 Thermometer & Water Hammer Arrestor

Product Compliance:
 NSF 61 Exempt (Non-Potable)
 ASSE 1024
 CSA B64.8