



T&S BRASS AND BRONZE WORKS, INC.
 2 Saddleback Cove / P.O. Box 1088
 Travelers Rest, SC 29690

Model No.

010445-45

Item No.

Travelers Rest, SC: 800-476-4103 • Simi Valley, CA: 800-423-0150 • Fax: 864-834-3518 • www.tsbrass.com

This Space for Architect/Engineer Approval

Job Name _____ Date _____

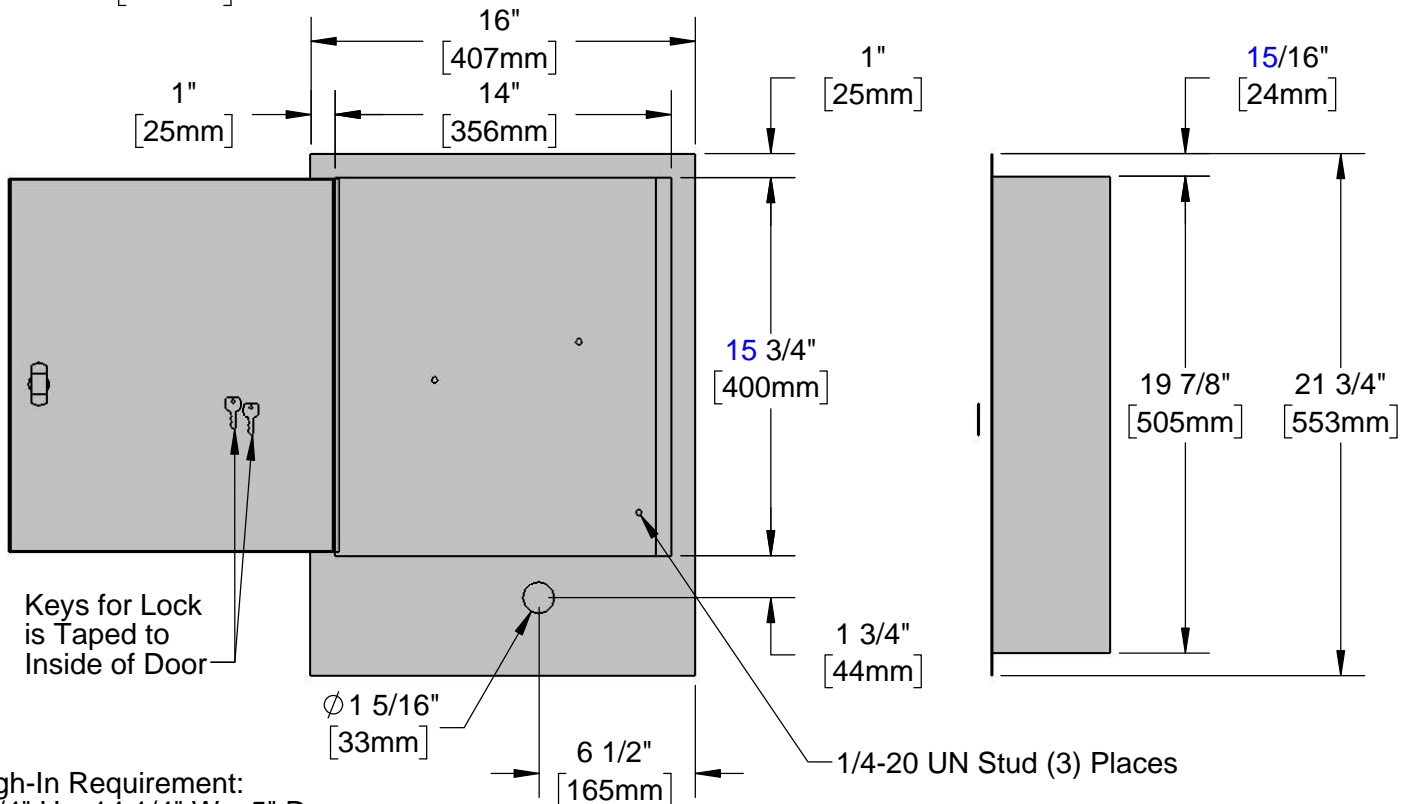
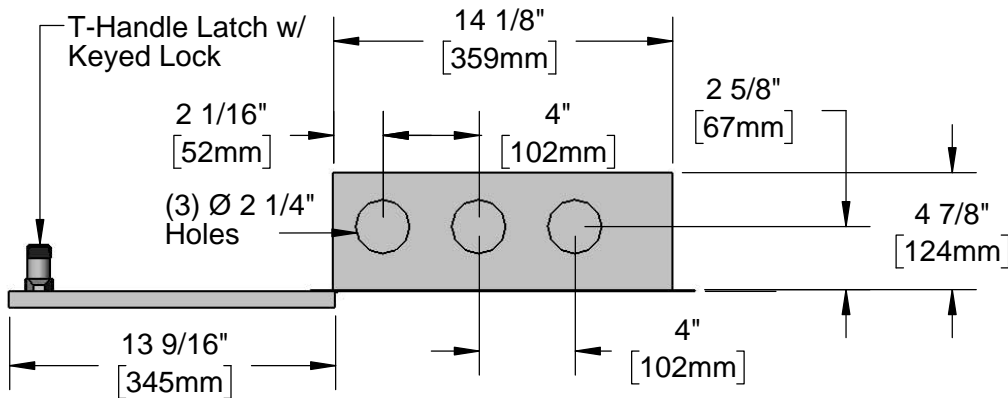
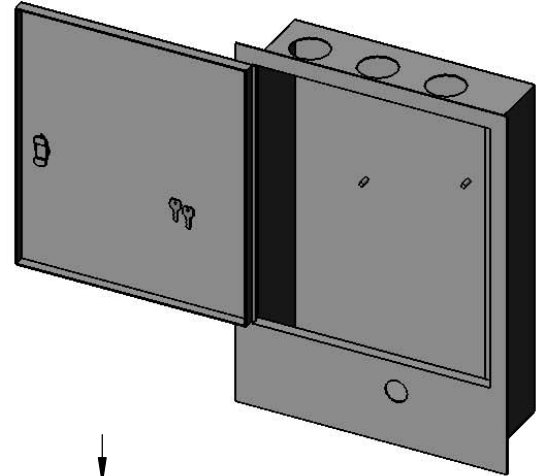
Model Specified _____ Quantity _____

Customer/Wholesaler _____

Contractor _____

Architect/Engineer _____

Cabinet Door
Closes Flush



Keys for Lock
is Taped to
Inside of Door

Rough-In Requirement:
20 1/4" H x 14 1/4" W x 5" D

Product Specifications:
Stainless Steel Control Box w/ Lock & Keys

Product Compliance: