



T&S BRASS AND BRONZE WORKS, INC.  
 2 SADDLEBACK COVE / P.O. BOX 1088 / TRAVELERS REST, SC 29690  
 PHONE 800-476-4103 - FAX 864- 834-3518



Sales No.

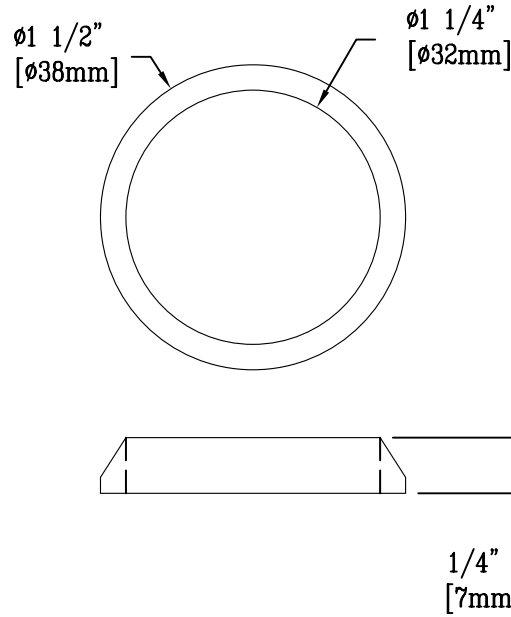
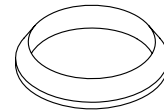
010390-45

RELIABILITY  
 BUILT IN

Job Name:

Architect/Engineer Approval:

Notes:



Product Description:

Waste Drain Coupling Nut Ferrule

Drawn:

DHL

Approved

JHB

Checked

MAV

Scale:

1:1

Date:

08/29/08