



T&S BRASS AND BRONZE WORKS, INC.
 2 Saddleback Cove / P.O. Box 1088
 Travelers Rest, SC 29690

Model No.

010386-45VR

Item No.

Travelers Rest, SC: 800-476-4103 • Simi Valley, CA: 800-423-0150 • Fax: 864-834-3518 • www.tsbrass.com

This Space for Architect/Engineer Approval

Job Name _____ Date _____

Model Specified _____ Quantity _____

Customer/Wholesaler _____

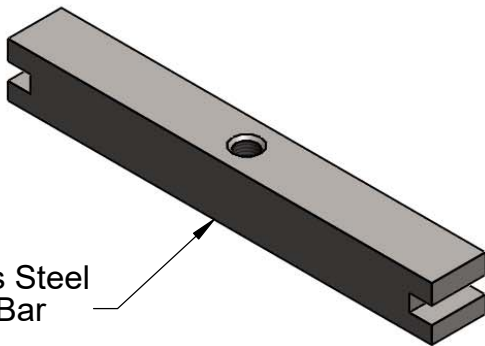
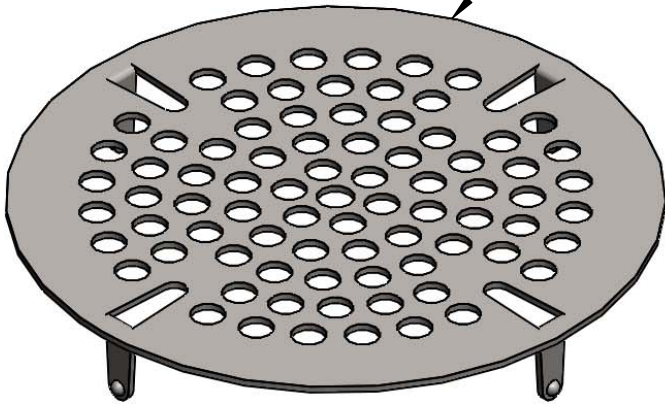
Contractor _____

Architect/Engineer _____

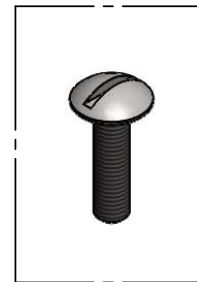


Stainless Steel Hex
 Socket Head Screw
 Provided For Vandal
 Resistant Feature
 (Requires 1/8" Hex Key)

Stainless Steel
 Flat Strainer for
 3 7/16" Waste Drain



Stainless Steel
 Locking Bar



Optional Slotted
 Head Screw also
 Included

Product Specifications:
 Vandal Resistant Locking Flat Strainer for 3 7/16" Waste Drain

Product Compliance: