



T&S BRASS AND BRONZE WORKS, INC.
 2 Saddleback Cove / P.O. Box 1088
 Travelers Rest, SC 29690

Model No.
00KK

Item No.

Travelers Rest, SC: 800-476-4103 • Simi Valley, CA: 800-423-0150 • Fax: 864-834-3518 • www.tsbrass.com

This Space for Architect/Engineer Approval

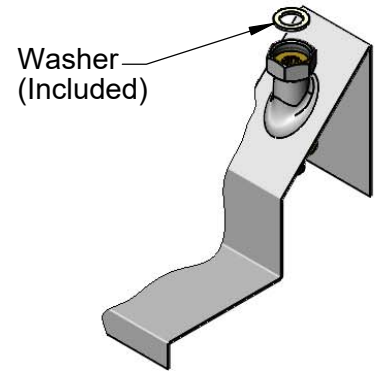
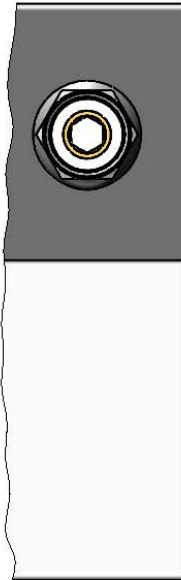
Job Name _____ Date _____

Model Specified _____ Quantity _____

Customer/Wholesaler _____

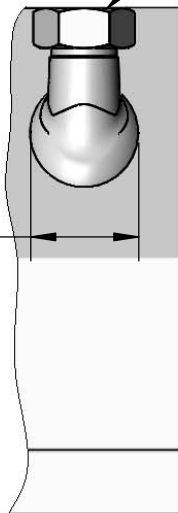
Contractor _____

Architect/Engineer _____



Connects to Standard
 T&S Base Faucets

$\varnothing 1 \frac{11}{16}$ "
 [43mm]



$\frac{1}{4}$ "
 [6mm]
 Maximum
 Thickness

45° Stainless
 Steel Backsplash

Bottom Section of Flange
 Secures to Underside of
 Panel with Lock Nut &
 Lock Washer

Dish Table Surface

4 1/2"
 [114mm]

1/2" NPT
 Male Inlet

Lock Nut & Lock Washer

Rough-In Requirement:
 $\varnothing 1 \frac{3}{8}$ " [35mm] Mounting Hole

Product Specifications:
 1/2" NPT Male 45° Angle Flange

Product Compliance:

ASME A112.18.1 / CSA B125.1
 NSF 61 - Section 9
 NSF 372 (Low Lead Content)