



**T&S BRASS AND BRONZE WORKS, INC.**  
 2 Saddleback Cove / P.O. Box 1088  
 Travelers Rest, SC 29690

Model No.

**009937-40**

Item No.

Travelers Rest, SC: 800-476-4103 • Simi Valley, CA: 800-423-0150 • Fax: 864-834-3518 • www.tsbrass.com

This Space for Architect/Engineer Approval

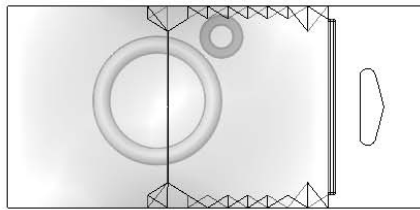
Job Name \_\_\_\_\_ Date \_\_\_\_\_

Model Specified \_\_\_\_\_ Quantity \_\_\_\_\_

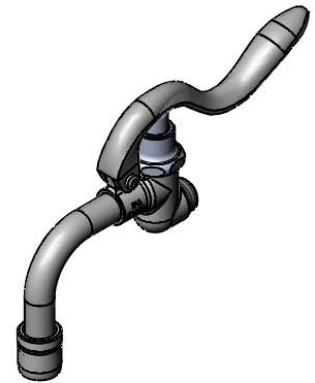
Customer/Wholesaler \_\_\_\_\_

Contractor \_\_\_\_\_

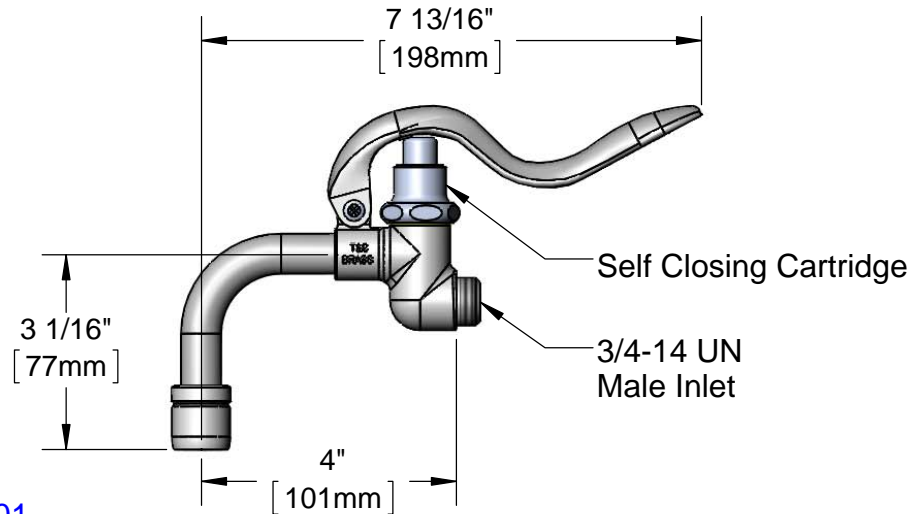
Architect/Engineer \_\_\_\_\_



Hose Washer & Hold Down Ring (Included)



**B-0199-01**  
2.2 GPM  
Aerator



Product Specifications:

Pot & Glass Filler w/ Automatic Shut-Off Valve, 90° Angle Nozzle & 2.2 GPM Aerator

Product Compliance:

ASME A112.18.1 / CSA B125.1  
 NSF 61 - Section 9  
 NSF 372 (Low Lead Content)  
 EPA 2005 Non-Compliant (PRSV)  
 Product Not Designed/Intended for Commercial Warewashing in North America



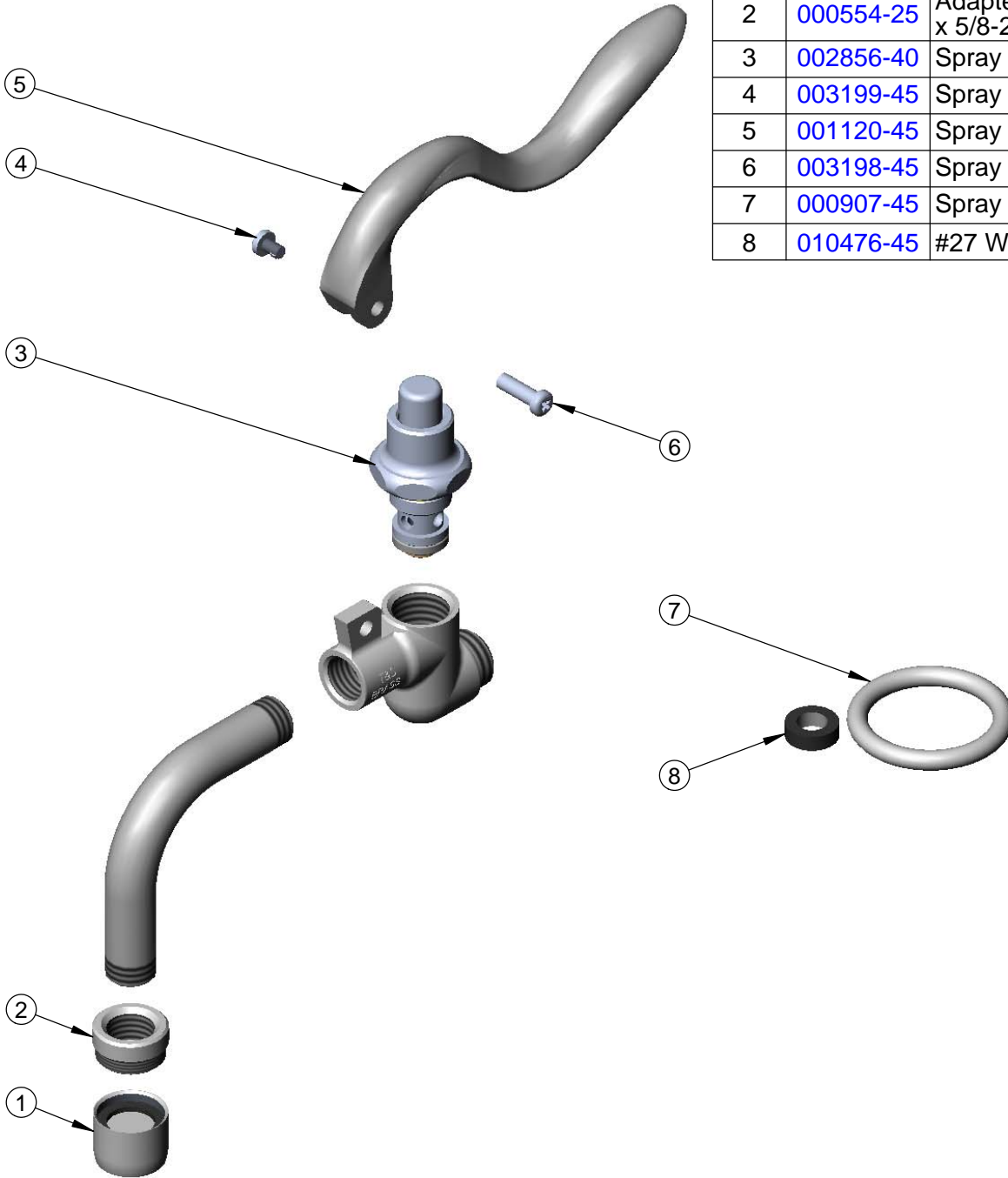
**T&S BRASS AND BRONZE WORKS, INC.**  
 2 Saddleback Cove / P.O. Box 1088  
 Travelers Rest, SC 29690

Model No.  
**009937-40**

Item No.

Travelers Rest, SC: 800-476-4103 • Simi Valley, CA: 800-423-0150 • Fax: 864-834-3518 • www.tsbrass.com

ITEM NO.	SALES NO.	DESCRIPTION
1	B-0199-01	2.2 GPM Aerator, 55/64"-27 UN Female
2	000554-25	Adapter 55/64-27 Male Thread x 5/8-27 Female Thread
3	002856-40	Spray Valve Bonnet
4	003199-45	Spray Valve Handle Screw
5	001120-45	Spray Valve Handle
6	003198-45	Spray Valve Handle Nut
7	000907-45	Spray Valve Hold Down Ring
8	010476-45	#27 Washer



Product Specifications:  
 Pot & Glass Filler w/ Automatic Shut-Off Valve, 90° Angle Nozzle & 2.2 GPM Aerator

Product Compliance:  
 ASME A112.18.1 / CSA B125.1  
 NSF 61 - Section 9  
 NSF 372 (Low Lead Content)  
 EPA Act 2005 Non-Compliant (PRSV)  
 Product Not Designed/Intended for  
 Commercial Warewashing in North America