



T&S BRASS AND BRONZE WORKS, INC.

2 SADDLEBACK COVE / P.O. BOX 1088 / TRAVELERS REST, SC 29690

PHONE 800-476-4103

FAX 864-834-3518



REG.#A2601
ISO #9001

Model No.

009548-40

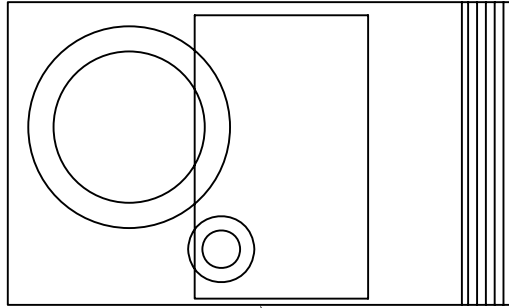
Item No.:

Job Name:

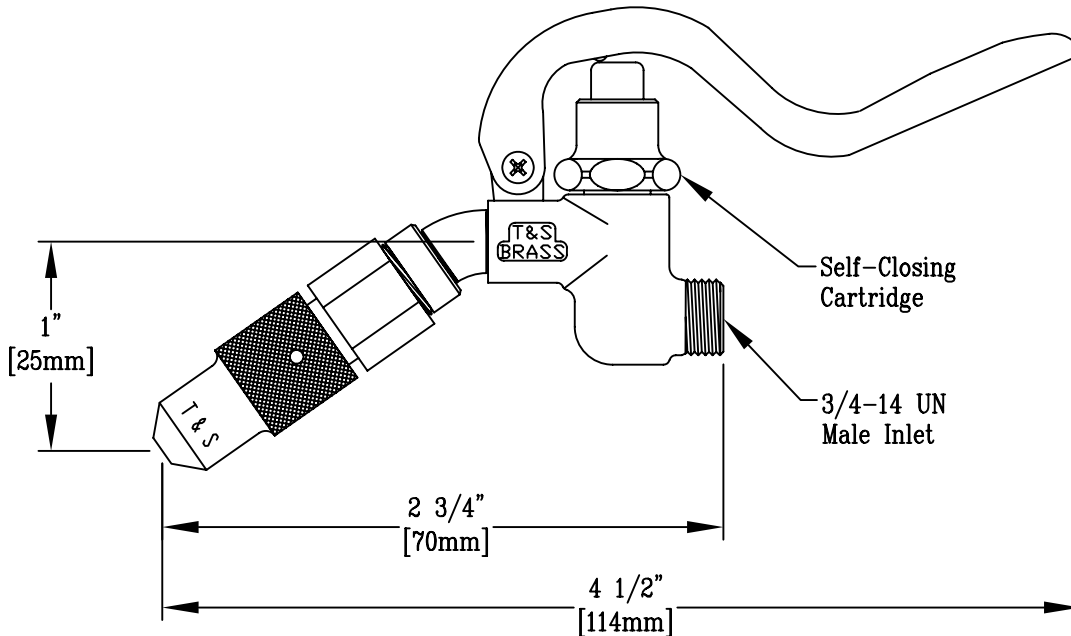
Architect/Engineer Approval:

Notes:

EPAct 2005 Non-Compliant



Furnished w/ Hose Washer
& Hold Down Ring



Product Description:

Spray Valve w/Angled Nozzle

Drawn:

KJG

Checked

DHL

Scale:

1 : 1

Approved

JHB

Date:

05/29/09