

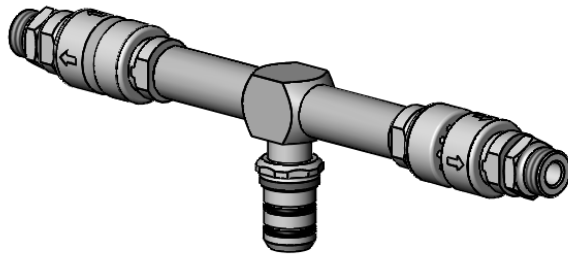


T&S BRASS AND BRONZE WORKS, INC.
 2 Saddleback Cove / P.O. Box 1088
 Travelers Rest, SC 29690

Model No.
009177-40

Item No.

Travelers Rest, SC: 800-476-4103 • Simi Valley, CA: 800-423-0150 • Fax: 864-834-3518 • www.tsbrass.com



This Space for Architect/Engineer Approval

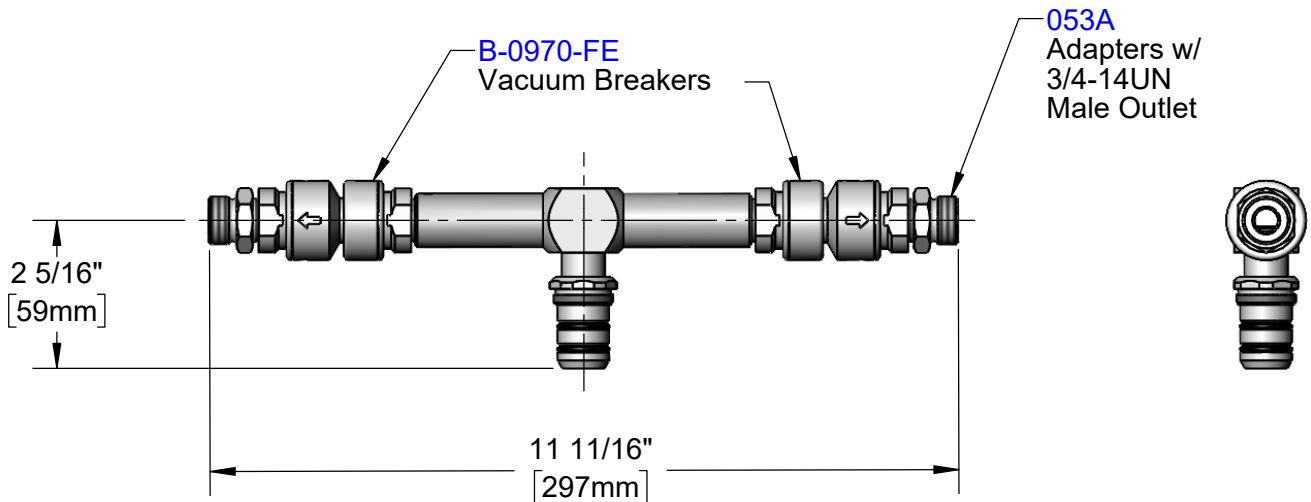
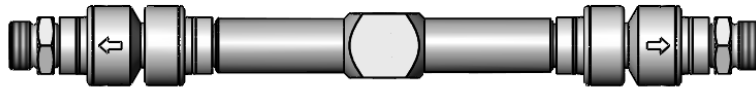
Job Name _____ Date _____

Model Specified _____ Quantity _____

Customer/Wholesaler _____

Contractor _____

Architect/Engineer _____



Product Specifications:
 Swivel Tee Assembly w/ (2) Vacuum Breakers

Product Compliance:
 ASME A112.18.1 / CSA B125.1
 NSF 61 - Section 9
 NSF 372 (Low Lead Content)
 CSA B64.8 (VB)



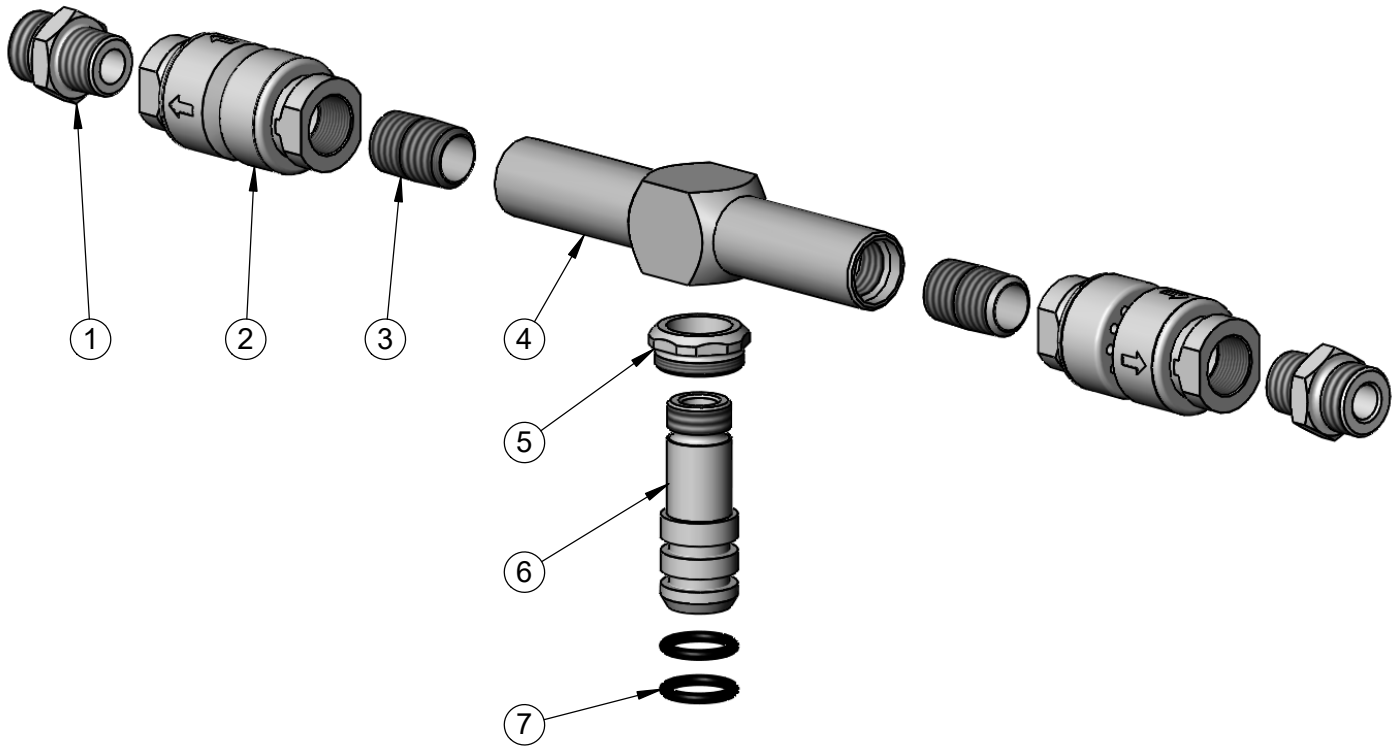
T&S BRASS AND BRONZE WORKS, INC.
 2 Saddleback Cove / P.O. Box 1088
 Travelers Rest, SC 29690

Model No.
009177-40

Item No.

Travelers Rest, SC: 800-476-4103 • Simi Valley, CA: 800-423-0150 • Fax: 864-834-3518 • www.tsbrass.com

| ITEM NO. | SALES NO. | DESCRIPTION |
|----------|------------|--------------------------|
| 1 | 053A | Adapter, 3/8" NPT Male |
| 2 | B-0970-FE | 3/8" NPT Vacuum Breaker |
| 3 | 002535-25 | 3/8" Close Nipple |
| 4 | B-2331-TEE | Swivel Tee, Kettle Kaddy |
| 5 | 000735-40 | Swivel Nut |
| 6 | 000839-25 | Swivel Stem, 3/8 NPT |
| 7 | 001074-45 | O-Ring |



Product Specifications:
 Swivel Tee Assembly w/ (2) Vacuum Breakers

Product Compliance:
 ASME A112.18.1 / CSA B125.1
 NSF 61 - Section 9
 NSF 372 (Low Lead Content)
 CSA B64.8 (VB)