



T&S BRASS AND BRONZE WORKS, INC.

2 Saddleback Cove / P.O. Box 1088
Travelers Rest, SC 29690

Model No.

007265-40

Item No.

Travelers Rest, SC: 800-476-4103 • Simi Valley, CA: 800-423-0150 • Fax: 864-834-3518 • www.tsbrass.com



ADA Compliant

This Space for Architect/Engineer Approval

Job Name _____ Date _____

Model Specified _____ Quantity _____

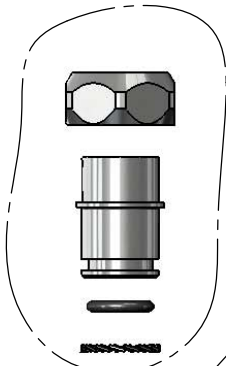
Customer/Wholesaler _____

Contractor _____

Architect/Engineer _____

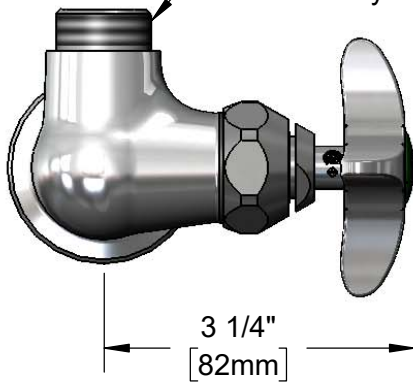


Quarter-Turn Eterna Cartridge
w/ Spring Check &
4-Arm Handle w/
Color Coded (CW) Index

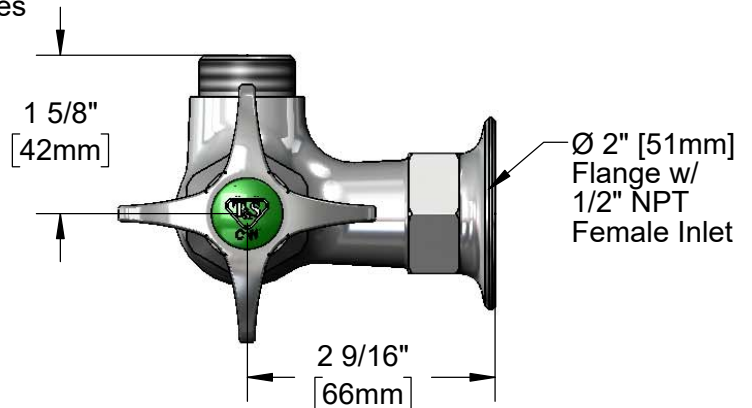


EZ-K
EasyInstall Kit
Converts Rigid Risers &
Nozzles for Use with
Swivel Outlet (Included)

Swivel Outlet Accepts
Standard T&S Swing Nozzles
and EasyInstall Risers.



3 1/4"
[82mm]



1 5/8"
[42mm]

Ø 2" [51mm]
Flange w/
1/2" NPT
Female Inlet

2 9/16"
[66mm]

Product Specifications:

Single Hole Single Temperature Wall Mount Faucet, Quarter-Turn Eterna Cartridge w/ Spring Check, 4-Arm Handle & 1/2" NPT Female Inlet, Less Nozzle

Product Compliance:

ASME A112.18.1 / CSA B125.1
NSF 61 - Section 9
NSF 372 (Low Lead Content)
ANSI A117.1 (ADA)



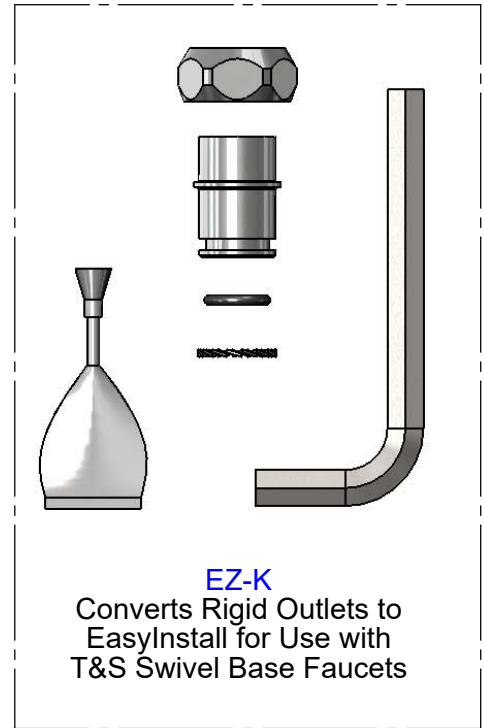
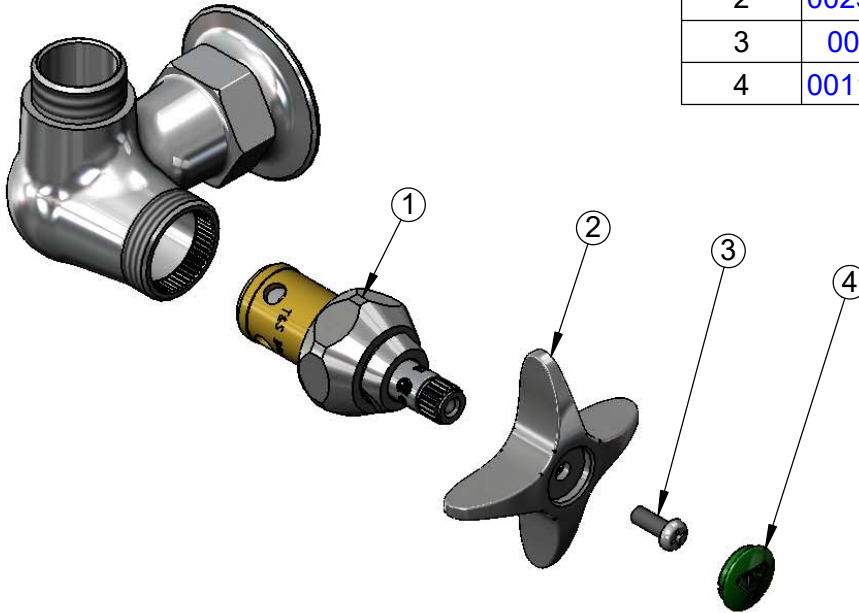
T&S BRASS AND BRONZE WORKS, INC.
 2 Saddleback Cove / P.O. Box 1088
 Travelers Rest, SC 29690

Model No.
007265-40

Item No.

Travelers Rest, SC: 800-476-4103 • Simi Valley, CA: 800-423-0150 • Fax: 864-834-3518 • www.tsbrass.com

ITEM NO.	SALES NO.	DESCRIPTION
1	012443-40NS	Quarter-Turn Eterna Cartridge w/ Spring Check, RTC
2	002521-45NS	4-Arm Handle (New Style)
3	000925-45	Lab Handle Screw
4	001191-45NS	Green "CW" Lab Button Index



Product Specifications:
 Single Hole Single Temperature Wall Mount Faucet, Quarter-Turn Eterna Cartridge w/ Spring Check, 4-Arm Handle & 1/2" NPT Female Inlet, Less Nozzle

Product Compliance:
 ASME A112.18.1 / CSA B125.1
 NSF 61 - Section 9
 NSF 372 (Low Lead Content)
 ANSI A117.1 (ADA)