



# T&S BRASS AND BRONZE WORKS, INC.

2 Saddleback Cove / P.O. Box 1088  
Travelers Rest, SC 29690



REG. #A2601  
ISO #9001

Model No.

**006647-25**

Item No.

Travelers Rest, SC: 800-476-4103 Simi Valley, CA: 800-423-0150 Fax: 864-834-3518 www.tsbrass.com

This Space for Architect/Engineer Approval

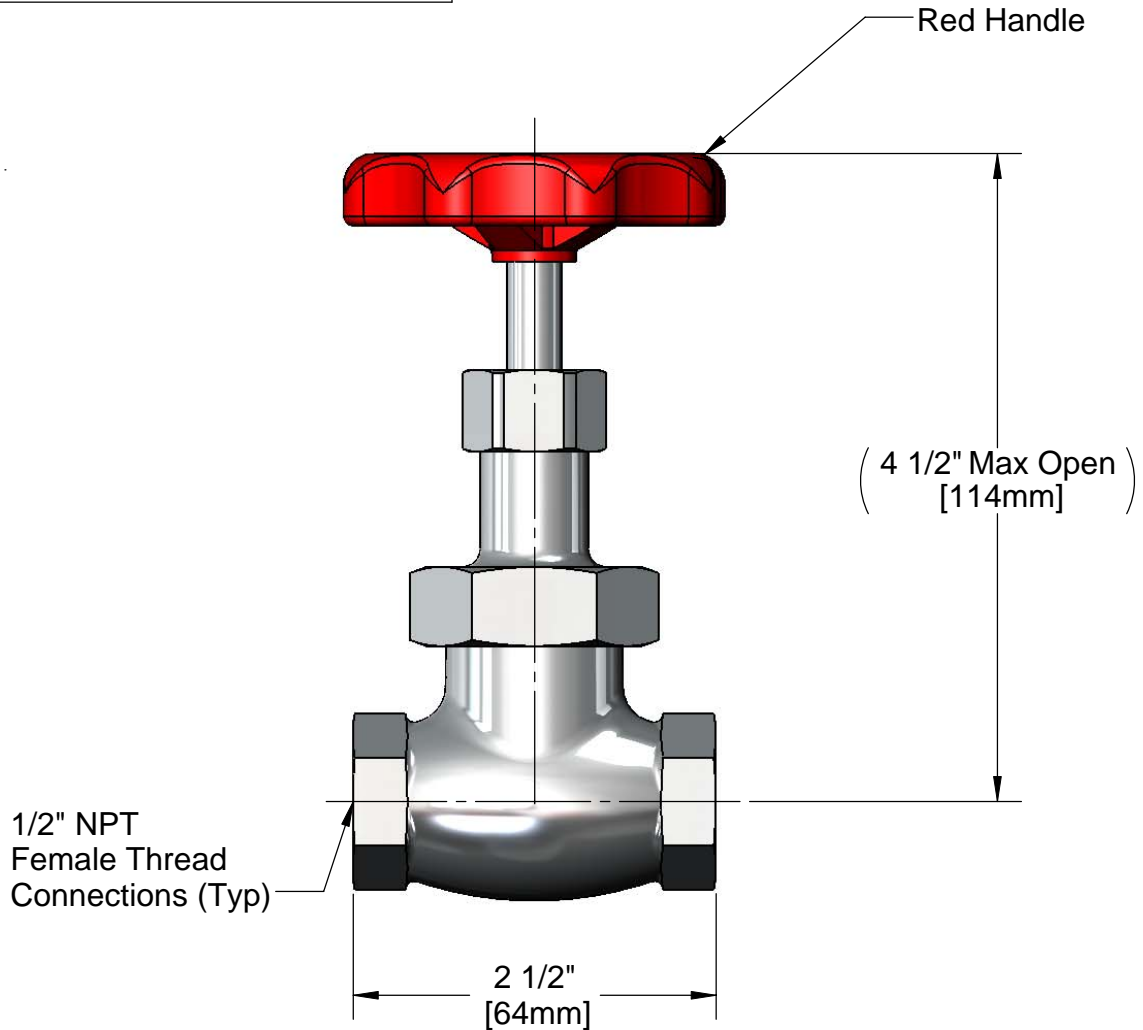
Job Name \_\_\_\_\_ Date \_\_\_\_\_

Model Specified \_\_\_\_\_ Quantity \_\_\_\_\_

Customer/Wholesaler \_\_\_\_\_

Contractor \_\_\_\_\_

Architect/Engineer \_\_\_\_\_



**NOTICE: THIS PRODUCT IS NOT DESIGNED AND/OR RATED FOR  
POTABLE / DRINKING WATER APPLICATIONS**

Product Specifications:

**Bronze Globe Valve w/ 1/2" NPT Female Thread  
Connections, Red Handle, Chrome Plated**

Drawn

**DMH**

Checked

**DHL**

Approved

**JHB**

Scale:

**NTS**

Date:

**10/07/09**