



T&S BRASS AND BRONZE WORKS, INC.
 2 Saddleback Cove / P.O. Box 1088
 Travelers Rest, SC 29690

Model No.
006219-40

Item No.

Travelers Rest, SC: 800-476-4103 • Simi Valley, CA: 800-423-0150 • Fax: 864-834-3518 • www.tsbrass.com

This Space for Architect/Engineer Approval

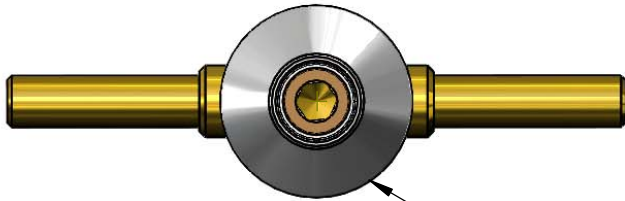
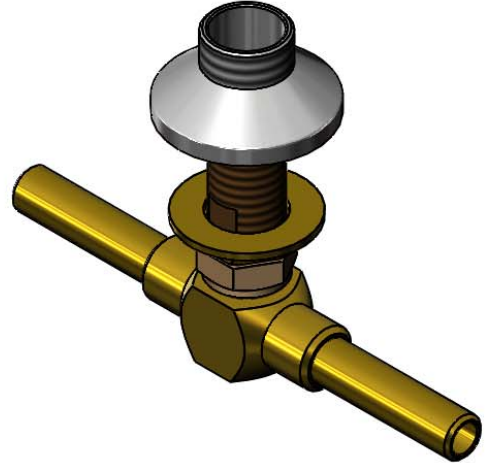
Job Name _____ Date _____

Model Specified _____ Quantity _____

Customer/Wholesaler _____

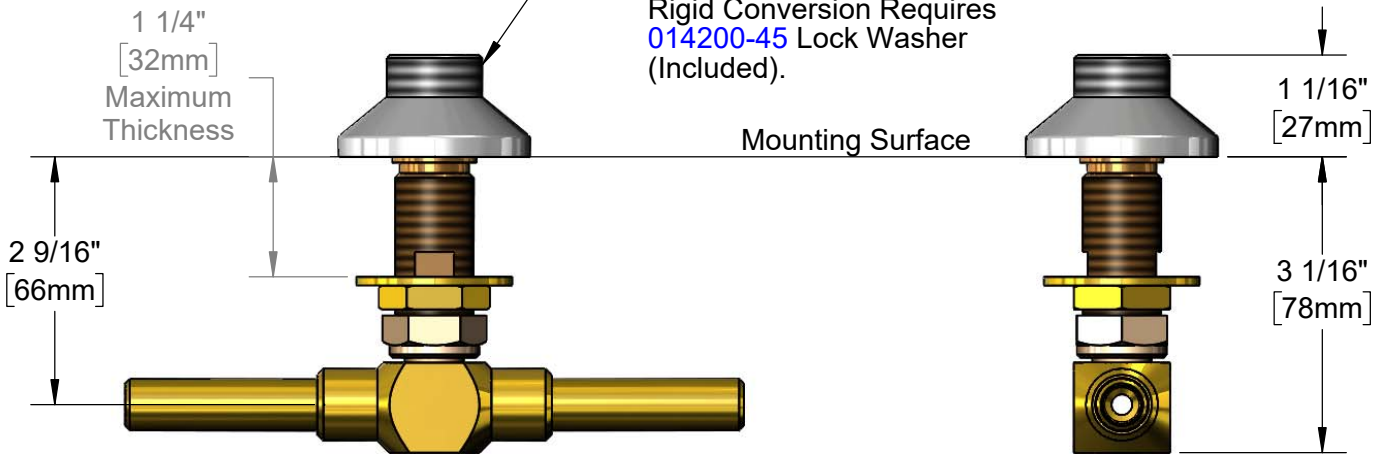
Contractor _____

Architect/Engineer _____



Ø 2" [51mm]
 Flange

Swivel Outlet Accepts
 Standard T&S Swing
 Nozzles & Risers.
 Rigid Conversion Requires
 014200-45 Lock Washer
 (Included).



Product Specifications:
 8" Cross Body w/ Swivel Base Flange Outlet

Product Compliance:
 NSF 61 - Section 9
 NSF 372 (Low Lead Content)



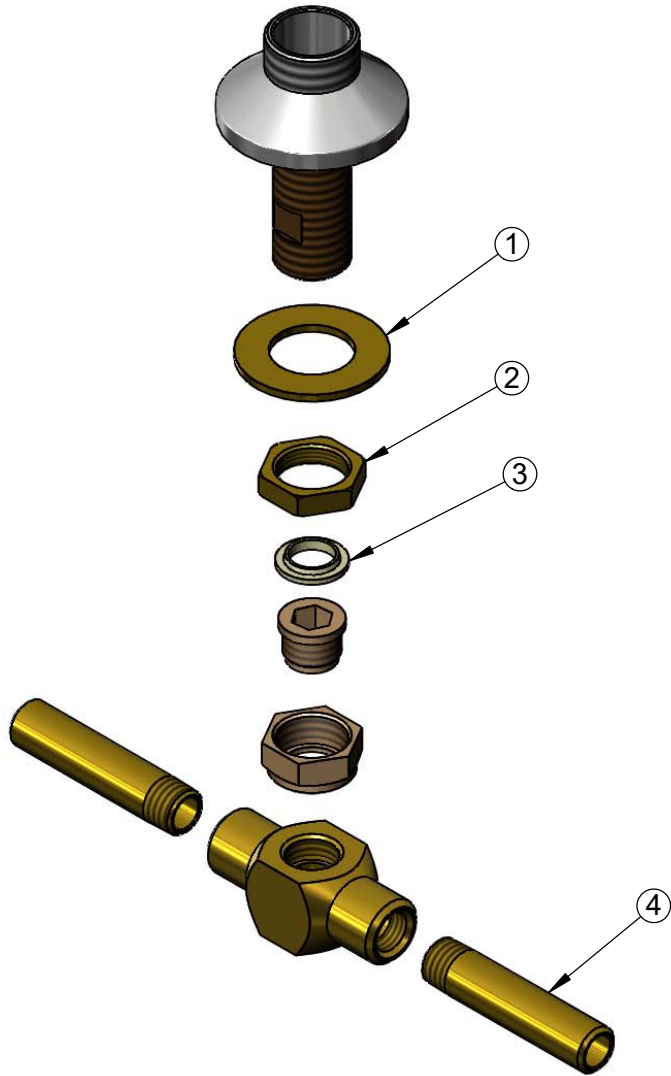
T&S BRASS AND BRONZE WORKS, INC.
2 Saddleback Cove / P.O. Box 1088
Travelers Rest, SC 29690

Model No.
006219-40

Item No.

Travelers Rest, SC: 800-476-4103 • Simi Valley, CA: 800-423-0150 • Fax: 864-834-3518 • www.tsbrass.com

ITEM NO.	SALES NO.	DESCRIPTION
1	000999-45	Brass Lock Washer
2	002954-45	Shank Lock Nut
3	012702-45	Cross Body Washer
4	000342-20	B-0850 Nipple



Product Specifications:
8" Cross Body w/ Swivel Base Flange Outlet

Product Compliance:
NSF 61 - Section 9
NSF 372 (Low Lead Content)