



**T&S BRASS AND BRONZE WORKS, INC.**  
 2 Saddleback Cove / P.O. Box 1088  
 Travelers Rest, SC 29690

Model No.

**006215-40NS**

Item No.

Travelers Rest, SC: 800-476-4103 • Simi Valley, CA: 800-423-0150 • Fax: 864-834-3518 • www.tsbrass.com

This Space for Architect/Engineer Approval

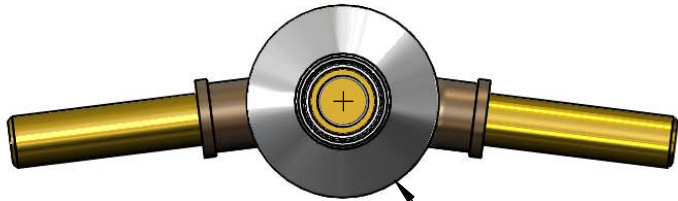
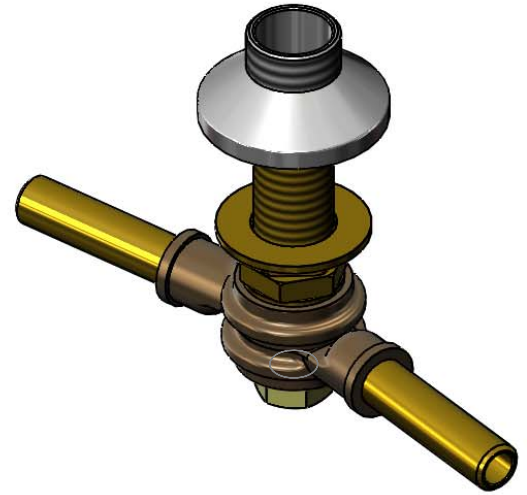
Job Name \_\_\_\_\_ Date \_\_\_\_\_

Model Specified \_\_\_\_\_ Quantity \_\_\_\_\_

Customer/Wholesaler \_\_\_\_\_

Contractor \_\_\_\_\_

Architect/Engineer \_\_\_\_\_



Ø2" [51mm]  
Flange

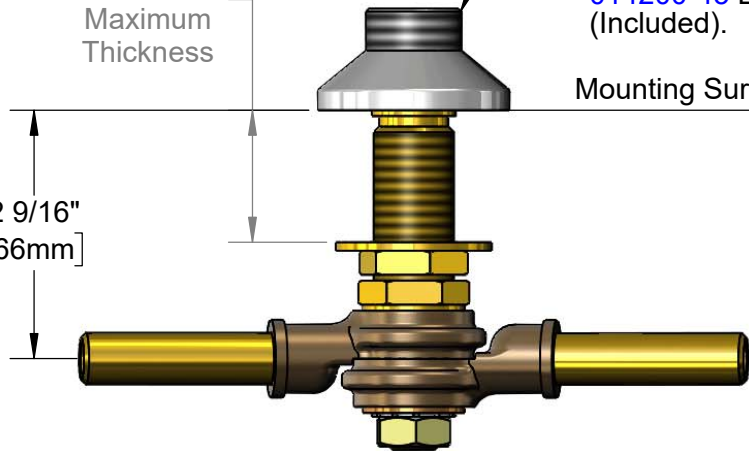
1 3/8"  
[35mm]  
Maximum  
Thickness

Swivel Outlet Accepts  
Standard T&S Swing  
Nozzles & Risers.  
Rigid Conversion Requires  
**014200-45** Lock Washer  
(Included).

Mounting Surface

1 1/16"  
[27mm]

2 9/16"  
[66mm]



Product Specifications:  
8" Swivel Yoke / Swivel Base Flange Outlet

Product Compliance:  
NSF 61 - Section 9  
NSF 372 (Low Lead Content)

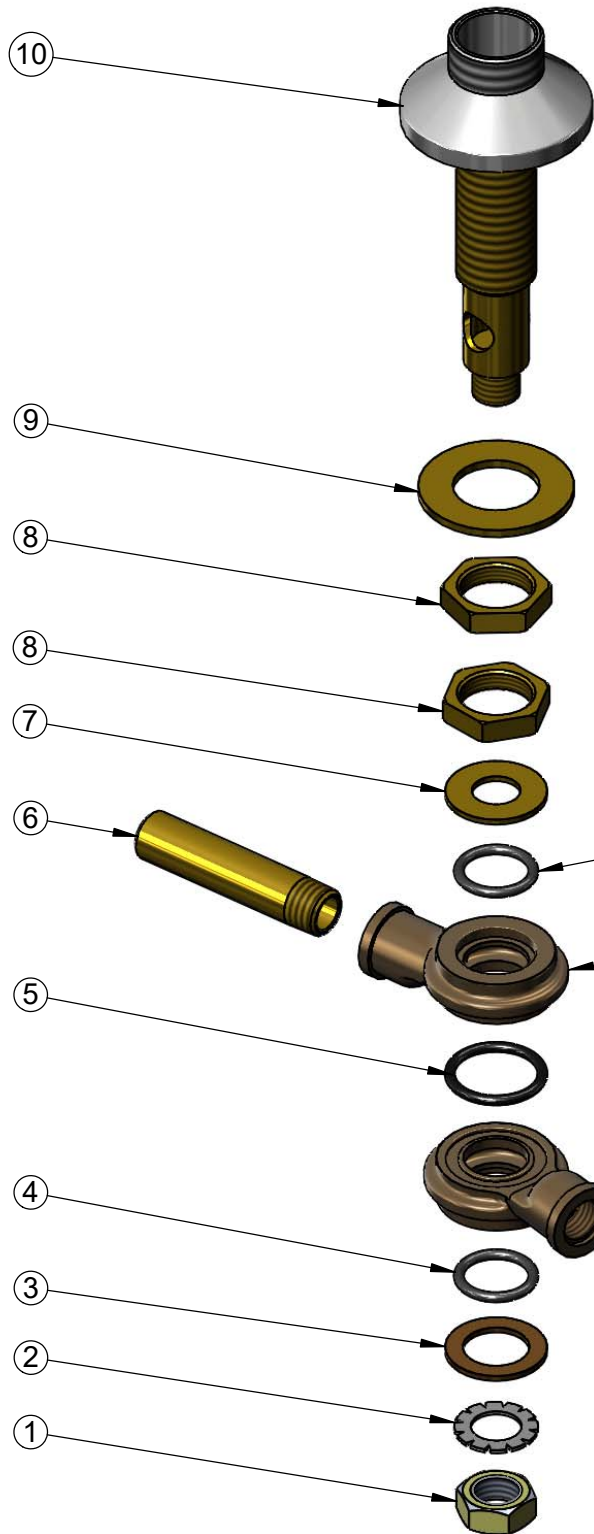


**T&S BRASS AND BRONZE WORKS, INC.**  
 2 Saddleback Cove / P.O. Box 1088  
 Travelers Rest, SC 29690

Model No.  
**006215-40NS**

Item No.

Travelers Rest, SC: 800-476-4103 • Simi Valley, CA: 800-423-0150 • Fax: 864-834-3518 • www.tsbrass.com



ITEM NO.	SALES NO.	DESCRIPTION
1	000956-45	Yoke Lock Nut
2	000982-45	Yoke Star Washer
3	000994-45	Swivel Yoke Top Washer
4	001060-45	O-Ring
5	001068-45	O-Ring
6	000342-20	Nipple
7	000993-45	Swivel Yoke Bottom Washer
8	002954-45	Shank Lock Nut
9	000999-45	Brass Lock Washer
10	000137-40NS	Swivel Center Body Outlet
11	000273-20	Swivel Yoke

Product Specifications:  
 8" Swivel Yoke / Swivel Base Flange Outlet

Product Compliance:  
 NSF 61 - Section 9  
 NSF 372 (Low Lead Content)