



T&S BRASS AND BRONZE WORKS, INC.

2 Saddleback Cove / P.O. Box 1088
Travelers Rest, SC 29690



REG. #A2601
ISO #9001

Model No.

006112-25

Item No.

Travelers Rest, SC: 800-476-4103 • Simi Valley, CA: 800-423-0150 • Fax: 864-834-3518 • www.tsbrass.com

This Space for Architect/Engineer Approval

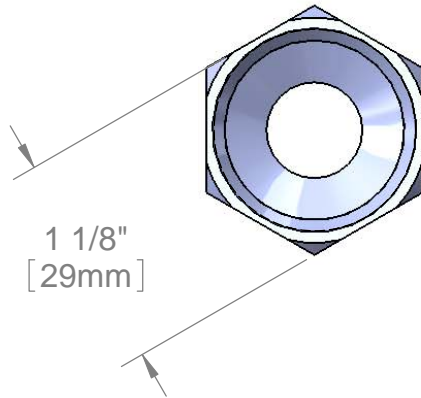
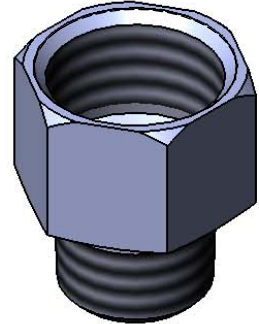
Job Name _____ Date _____

Model Specified _____ Quantity _____

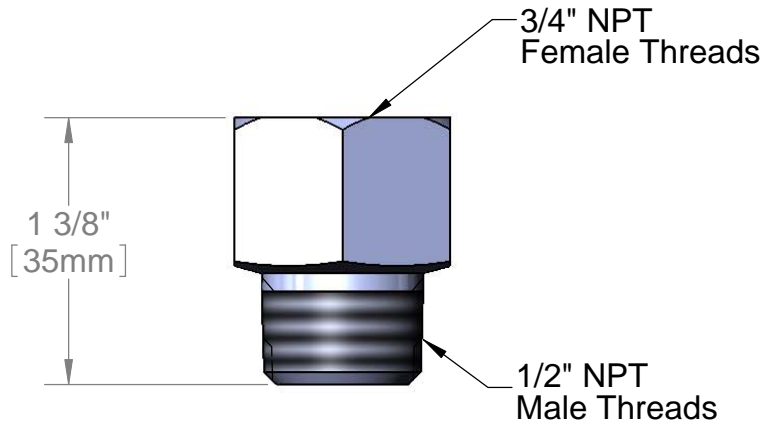
Customer/Wholesaler _____

Contractor _____

Architect/Engineer _____



1 1/8"
[29mm]



1 3/8"
[35mm]

Product Specifications:
Adapter, 3/4" NPT Female x 1/2" NPT Male
(Chrome Plated)

Drawn
KJG

Checked
GEF

Approved
JHB

Scale:
1:1

Date:
10/27/10