



T&S BRASS AND BRONZE WORKS, INC.
 2 Saddleback Cove / P.O. Box 1088
 Travelers Rest, SC 29690

Model No.
005973-40

Item No.

Travelers Rest, SC: 800-476-4103 • Simi Valley, CA: 800-423-0150 • Fax: 864-834-3518 • www.tsbrass.com

This Space for Architect/Engineer Approval

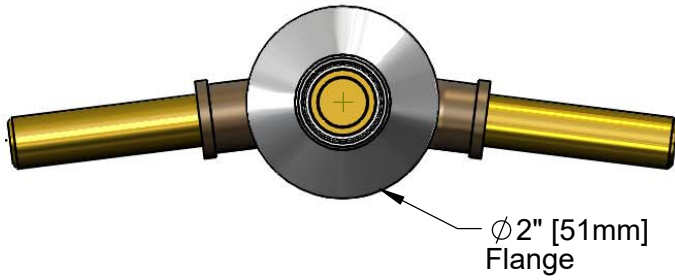
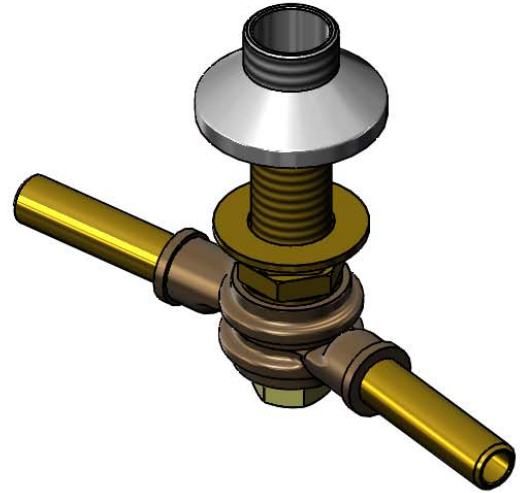
Job Name _____ Date _____

Model Specified _____ Quantity _____

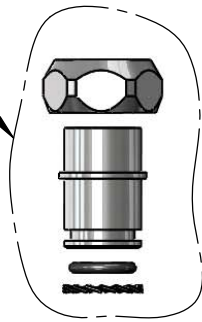
Customer/Wholesaler _____

Contractor _____

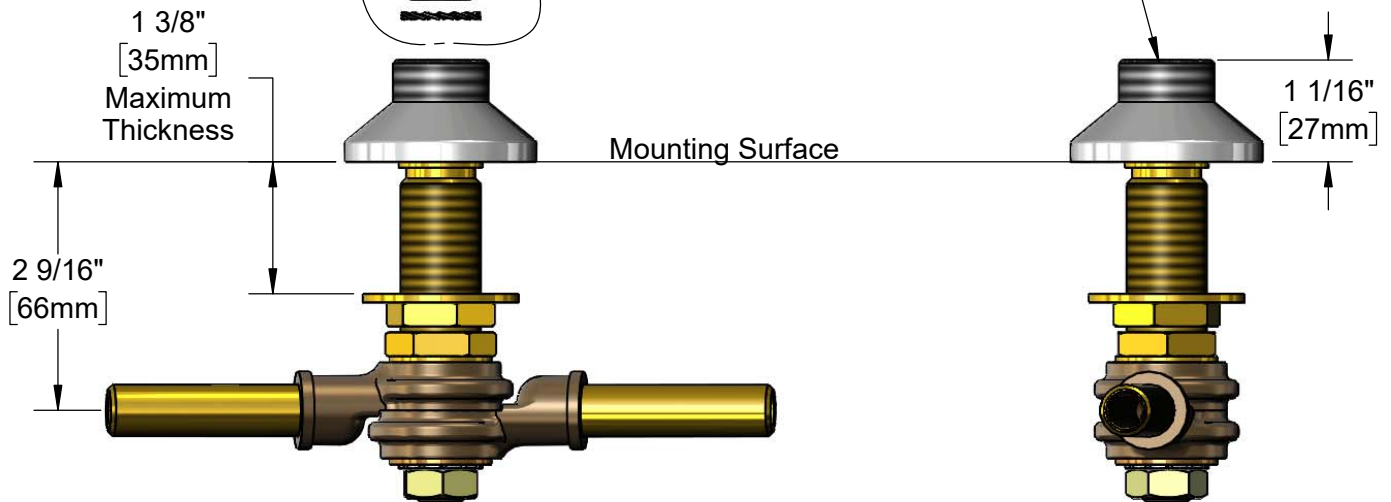
Architect/Engineer _____



EZ-K
 EasyInstall Kit
 Converts Rigid Risers &
 Nozzles for Use with
 Swivel Outlet (Included)



Swivel Outlet Accepts
 Standard T&S
 Swivel Goosenecks



Product Specifications:
 8" Swivel Yoke / Swivel Base Flange Outlet

Product Compliance:
 NSF 61 - Section 9
 NSF 372 (Low Lead Content)



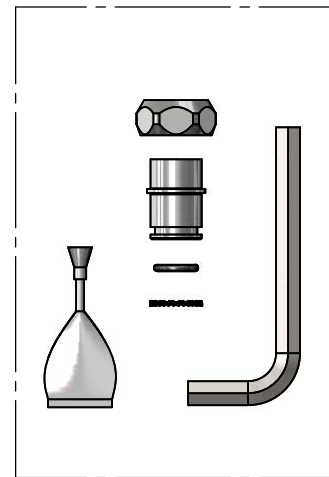
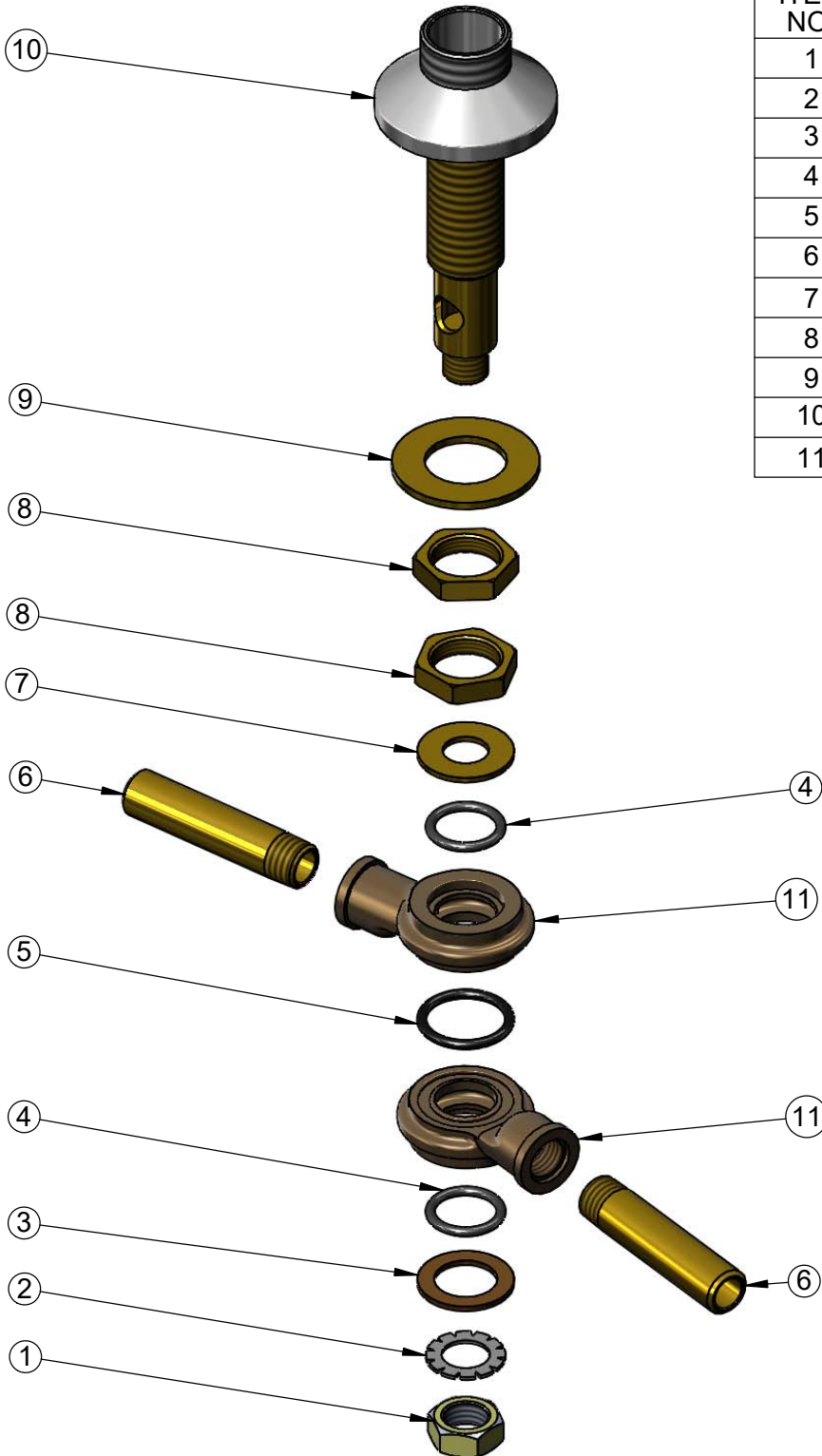
T&S BRASS AND BRONZE WORKS, INC.
 2 Saddleback Cove / P.O. Box 1088
 Travelers Rest, SC 29690

Model No.
005973-40

Item No.

Travelers Rest, SC: 800-476-4103 • Simi Valley, CA: 800-423-0150 • Fax: 864-834-3518 • www.tsbrass.com

ITEM NO.	SALES NO.	DESCRIPTION
1	000956-45	Yoke Lock Nut
2	000982-45	Yoke Star Washer
3	000994-45	Swivel Yoke Top Washer
4	001060-45	O-Ring
5	001068-45	O-Ring
6	000342-20	Nipple
7	000993-45	Swivel Yoke Bottom Washer
8	002954-45	Shank Lock Nut
9	000999-45	Brass Lock Washer
10	000137-40NS	Swivel Center Body Outlet
11	000273-20	Swivel Yoke



EZ-K
 Converts Rigid Outlets to EasyInstall for Use with T&S Swivel Base Faucets

Product Specifications:
 8" Swivel Yoke / Swivel Base Flange Outlet

Product Compliance:
 NSF 61 - Section 9
 NSF 372 (Low Lead Content)