



T&S BRASS AND BRONZE WORKS, INC.
 2 Saddleback Cove / P.O. Box 1088
 Travelers Rest, SC 29690

Model No.

0032

Item No.

Travelers Rest, SC: 800-476-4103 • Simi Valley, CA: 800-423-0150 • Fax: 864-834-3518 • www.tsbrass.com

This Space for Architect/Engineer Approval

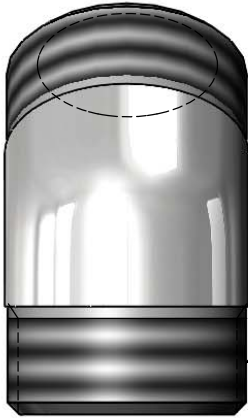
Job Name _____ Date _____

Model Specified _____ Quantity _____

Customer/Wholesaler _____

Contractor _____

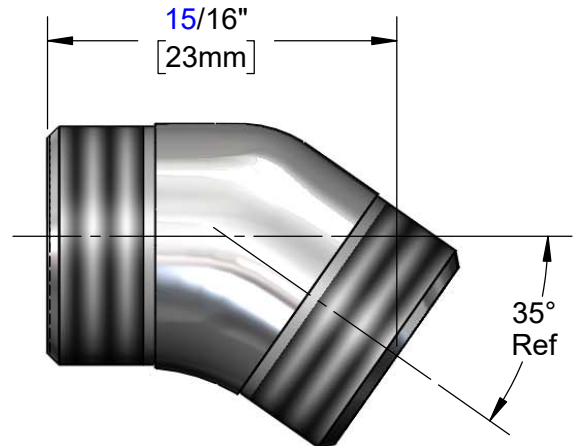
Architect/Engineer _____



5/8"-27 UN
 Male Thread
 Typ Both Ends



Ø 3/8" [10mm]
 Typ Both Ends



Finish: Chrome Plated

Product Specifications:

35° Elbow, 5/8"-27 UN Male Thread (Both Ends)

Product Compliance:

NSF 61 - Section 9
 NSF 372 (Low Lead Content)