



T&S BRASS AND BRONZE WORKS, INC.
 2 Saddleback Cove / P.O. Box 1088
 Travelers Rest, SC 29690

Model No.
002872-40

Item No.

Travelers Rest, SC: 800-476-4103 • Simi Valley, CA: 800-423-0150 • Fax: 864-834-3518 • www.tsbrass.com

This Space for Architect/Engineer Approval

Job Name _____ Date _____

Model Specified _____ Quantity _____

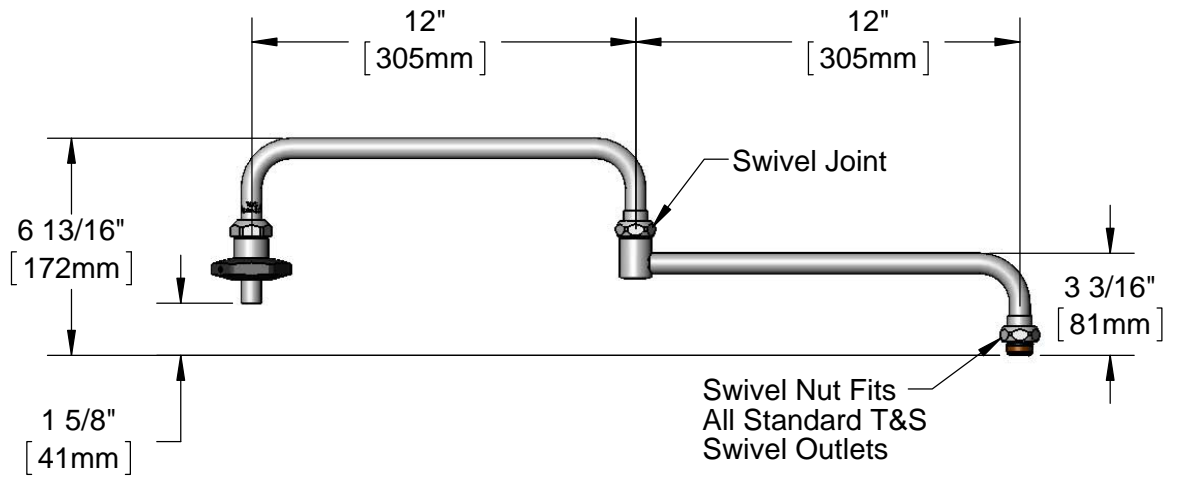
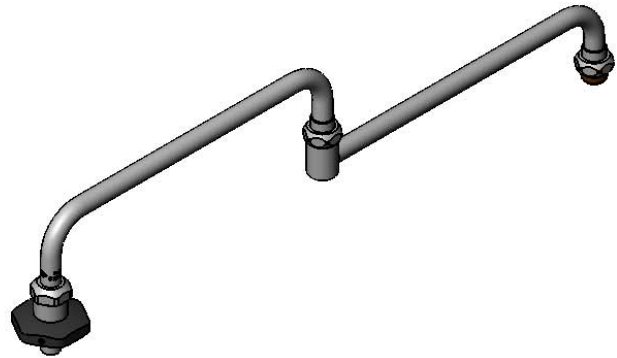
Customer/Wholesaler _____

Contractor _____

Architect/Engineer _____



Heat Resistant
"On-Off" Handle



Product Specifications:
 24" Double Joint Swing Nozzle (12" Back Section & 12" Front Section w/ Black Heat Resistant "On-Off" Handle Outlet

Product Compliance:
 ASME A112.18.1 / CSA B125.1
 NSF 61 - Section 9
 NSF 372 (Low Lead Content)



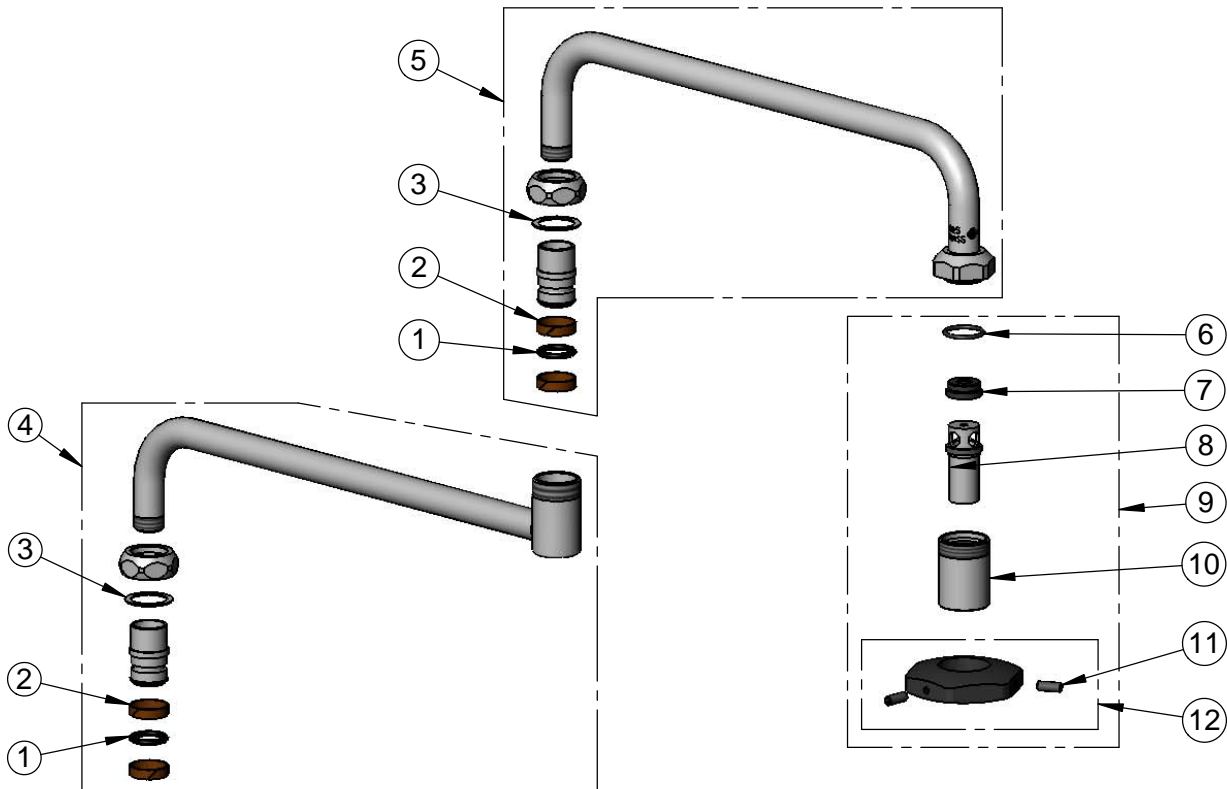
T&S BRASS AND BRONZE WORKS, INC.
 2 Saddleback Cove / P.O. Box 1088
 Travelers Rest, SC 29690

Model No.
002872-40

Item No.

Travelers Rest, SC: 800-476-4103 • Simi Valley, CA: 800-423-0150 • Fax: 864-834-3518 • www.tsbrass.com

| ITEM NO. | SALES NO. | DESCRIPTION |
|----------|-----------|---|
| 1 | 001074-45 | O-Ring |
| 2 | 011429-45 | Swivel Sleeves (2) |
| 3 | 009538-45 | Swivel Washer |
| 4 | 002871-40 | Double Joint Swing Nozzle 12" Back Section |
| 5 | 002869-40 | 12" Double Joint Front Section |
| 6 | 003426-45 | O-Ring |
| 7 | 001089-45 | Seal |
| 8 | 001498-25 | Spout |
| 9 | 035A | Outlet |
| 10 | 000587-25 | Spout Body |
| 11 | 000936-45 | Handle Set Screw |
| 12 | 001126-20 | Black Heat Resistant Handle w/ (2) Set Screws |



Product Specifications:
 24" Double Joint Swing Nozzle (12" Back Section & 12" Front Section w/ Black Heat Resistant "On-Off" Handle Outlet

Product Compliance:
 ASME A112.18.1 / CSA B125.1
 NSF 61 - Section 9
 NSF 372 (Low Lead Content)