



T&S BRASS AND BRONZE WORKS, INC.
 2 Saddleback Cove / P.O. Box 1088
 Travelers Rest, SC 29690

Model No.
002865-40

Item No.

Travelers Rest, SC: 800-476-4103 • Simi Valley, CA: 800-423-0150 • Fax: 864-834-3518 • www.tsbrass.com

This Space for Architect/Engineer Approval

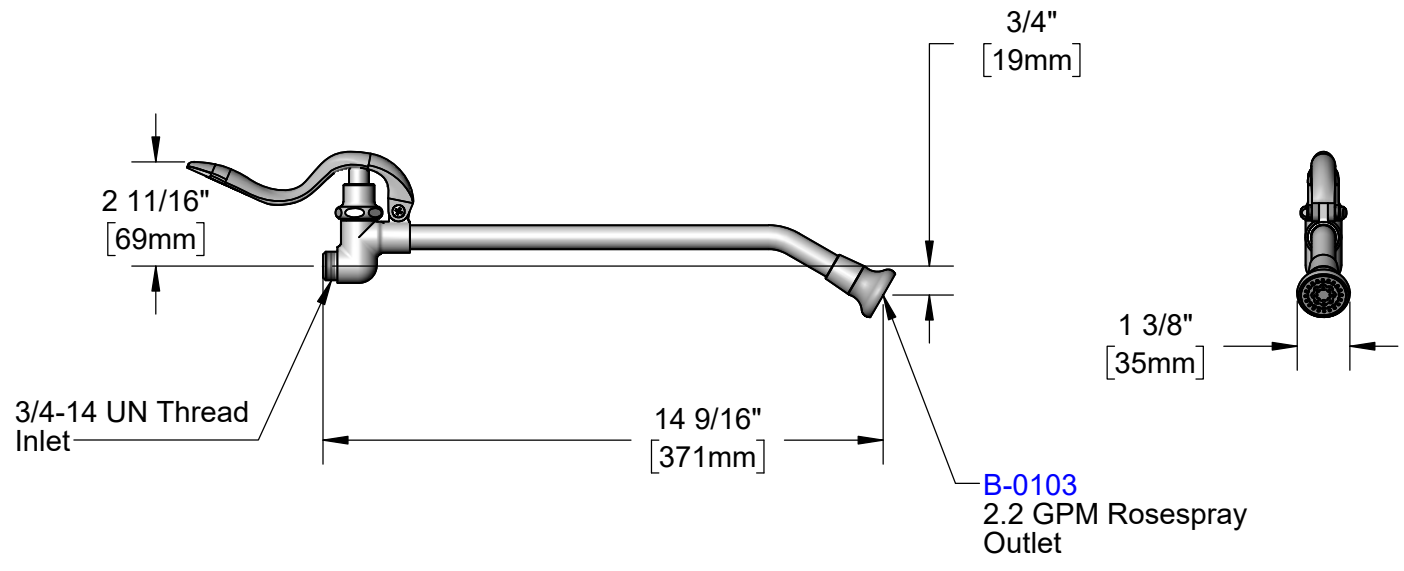
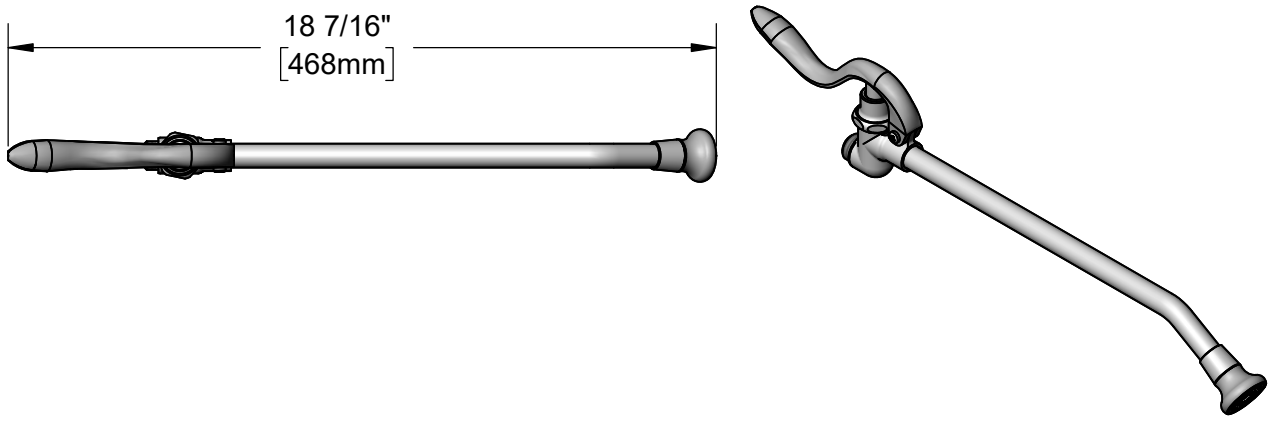
Job Name _____ Date _____

Model Specified _____ Quantity _____

Customer/Wholesaler _____

Contractor _____

Architect/Engineer _____



Product Specifications:
 Self Closing Bedpan Spray Nozzle w/ 2.2 GPM Rosespray Outlet &
 3/4"-14 UN Male Inlet

Product Compliance:
 ASME A112.18.1 / CSA B125.1
 NSF 61 - Section 9
 NSF 372 (Low Lead Content)
 2019 DOE PRSV Non-Compliant



T&S BRASS AND BRONZE WORKS, INC.

2 Saddleback Cove / P.O. Box 1088
Travelers Rest, SC 29690

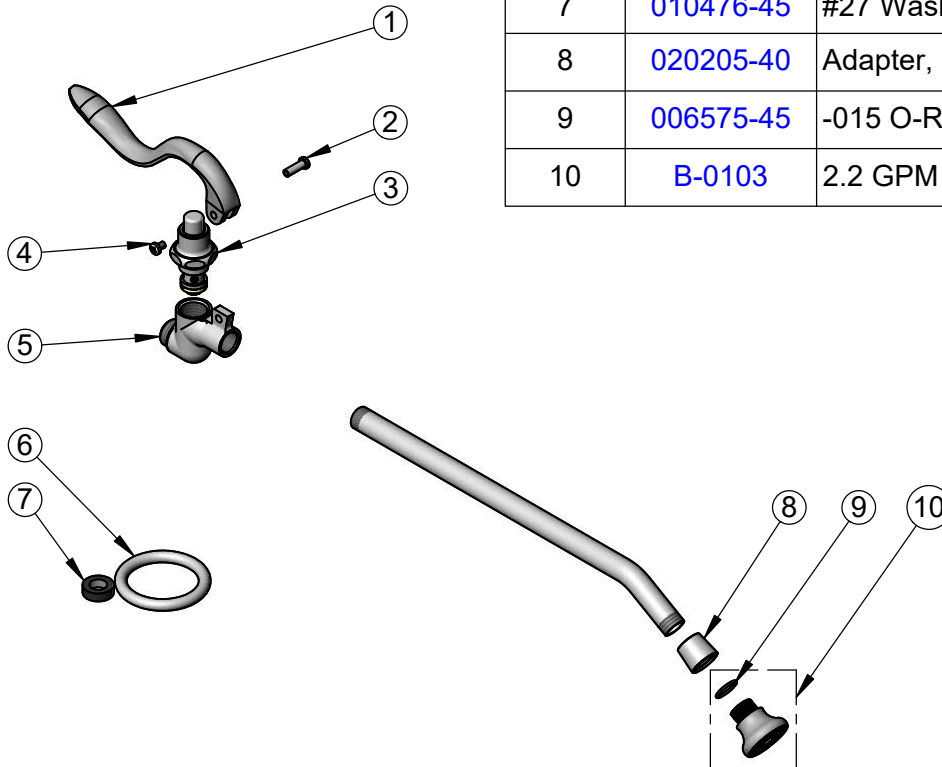
Model No.

002865-40

Item No.

Travelers Rest, SC: 800-476-4103 • Simi Valley, CA: 800-423-0150 • Fax: 864-834-3518 • www.tsbrass.com

ITEM NO.	SALES NO.	DESCRIPTION
1	001120-45	Spray Valve Handle
2	003198-45	Spray Valve Handle Nut
3	002856-40	Spray Valve Bonnet
4	003199-45	Spray Valve Handle Screw
5	000065-40	Body, B-0107
6	000907-45	Spray Valve Hold Down Ring
7	010476-45	#27 Washer
8	020205-40	Adapter, 5/8-27 UN x 3/8-18 NPSM
9	006575-45	-015 O-Ring
10	B-0103	2.2 GPM Rosespray, 3/8-18 NPT Male



Product Specifications:

Self Closing Bedpan Spray Nozzle w/ 2.2 GPM Rosespray Outlet & 3/4"-14 UN Male Inlet

Product Compliance:

ASME A112.18.1 / CSA B125.1
NSF 61 - Section 9
NSF 372 (Low Lead Content)
2019 DOE PRSV Non-Compliant