



T&S BRASS AND BRONZE WORKS, INC.
 2 Saddleback Cove / P.O. Box 1088
 Travelers Rest, SC 29690

Model No.
000919-45

Item No.

Travelers Rest, SC: 800-476-4103 • Simi Valley, CA: 800-423-0150 • Fax: 864-834-3518 • www.tsbrass.com

This Space for Architect/Engineer Approval

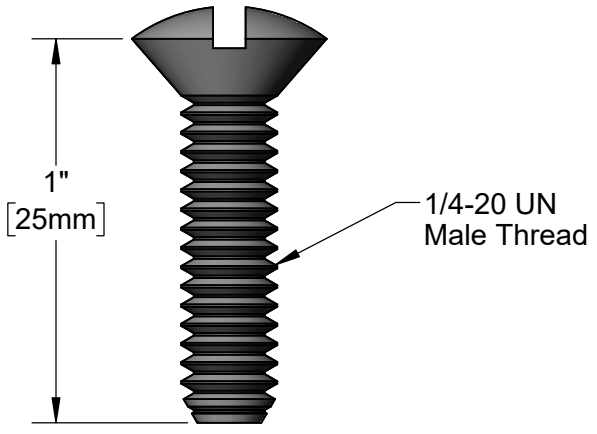
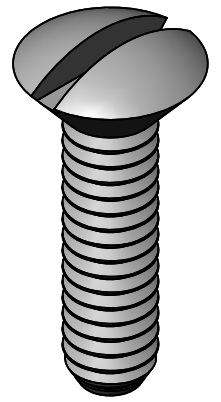
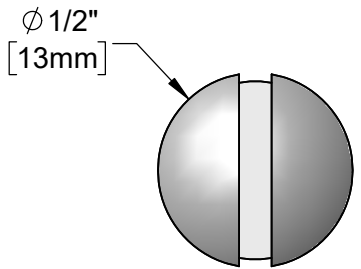
Job Name _____ Date _____

Model Specified _____ Quantity _____

Customer/Wholesaler _____

Contractor _____

Architect/Engineer _____



Product Specifications:
 Screw, Wall Mounting

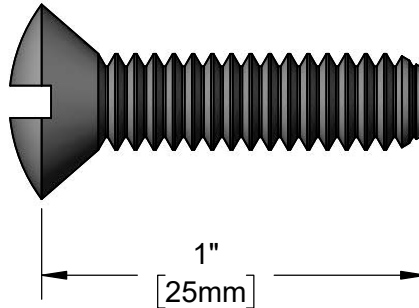
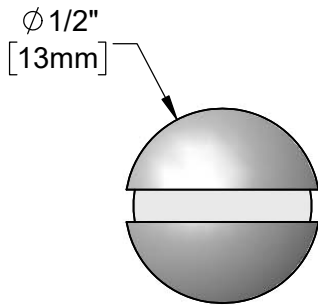
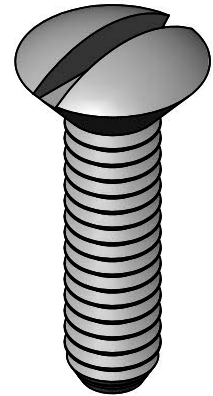
Product Compliance:



Architect/Engineering Specifications:

Stainless steel mounting screw for T&S knee action valve with 1/4-20 UN male thread.

Job Name _____
 Model Specified _____ Quantity _____
 Variations Specified _____
 Date _____



Features & Benefits:

- Mounting screw for T&S knee action valve
- 1/4-20 UN male thread
- Material: Stainless steel

Product Compliance:

- N/A

Warranty: One Year (Limited)

Performance Data:

- N/A

