



T&S BRASS AND BRONZE WORKS, INC.
 2 Saddleback Cove / P.O. Box 1088
 Travelers Rest, SC 29690

Model No.

000554-25

Item No.

Travelers Rest, SC: 800-476-4103 • Simi Valley, CA: 800-423-0150 • Fax: 864-834-3518 • www.tsbrass.com

This Space for Architect/Engineer Approval

Job Name _____ Date _____

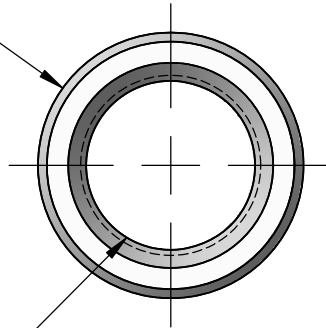
Model Specified _____ Quantity _____

Customer/Wholesaler _____

Contractor _____

Architect/Engineer _____

ϕ 15/16"
[23mm]

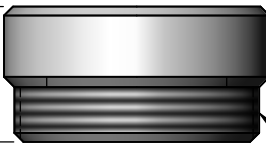


5/8-27 Female Thread



Finish: Rough Chrome

1/2"
[12mm]



55/64-27 Male Thread

Product Specifications:
 Adapter, 55/64-27 UN Male x 5/8-27 UN Female

Product Compliance:
 NSF 61 - Section 9
 NSF 372 (Low Lead Content)