



T&S BRASS AND BRONZE WORKS, INC.
 2 Saddleback Cove / P.O. Box 1088
 Travelers Rest, SC 29690

Model No.
000434-40

Item No.

Travelers Rest, SC: 800-476-4103 • Simi Valley, CA: 800-423-0150 • Fax: 864-834-3518 • www.tsbrass.com

This Space for Architect/Engineer Approval

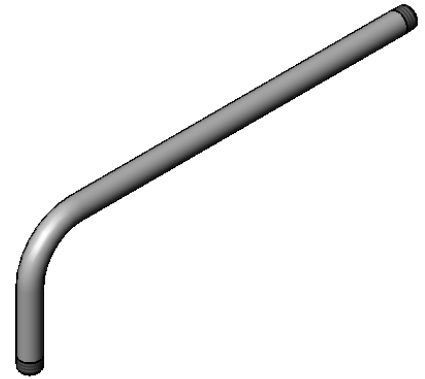
Job Name _____ Date _____

Model Specified _____ Quantity _____

Customer/Wholesaler _____

Contractor _____

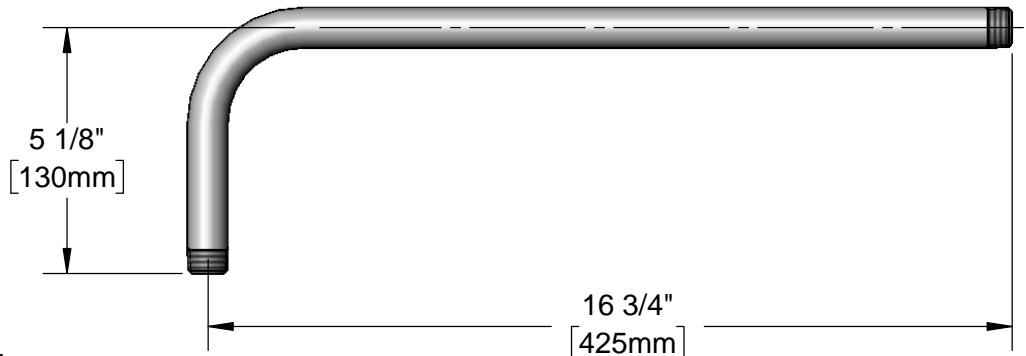
Architect/Engineer _____



Finish: Polished Chrome



1/2" NPT
 Male Thread
 Typ Both Ends



Product Specifications:
 Down Pipe, **B-0455**

Product Compliance:
 NSF 61 - Section 9
 NSF 372 (Low Lead Content)