



**T-Series, TM Models,
TS-28-262, TS-63
&
Upright Reach-In
Refrigerator/ Freezer
Parts Manual**

TO PLACE AN ORDER OR OBTAIN INFORMATION:

WEBSITE:

www.truemfg.com

SEND INQUIRIES TO:

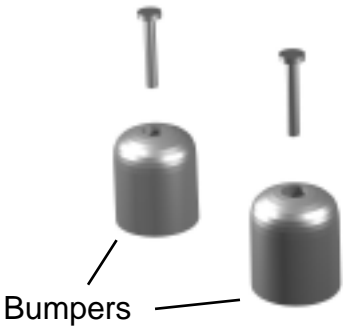
TRUE MANUFACTURING COMPANY, INC. ATTN: PARTS DEPARTMENT
St. Charles Industrial Center • P.O. Box 970 • O'Fallon, Missouri 63366 • U.S.A

CALL TOLL-FREE:

800-424-TRUE (Direct to Parts Department)
or 800-325-6152 (U.S.A & Canada only)
OR CALL: 636-240-2400

FAX: 636-272-9471

Accessories

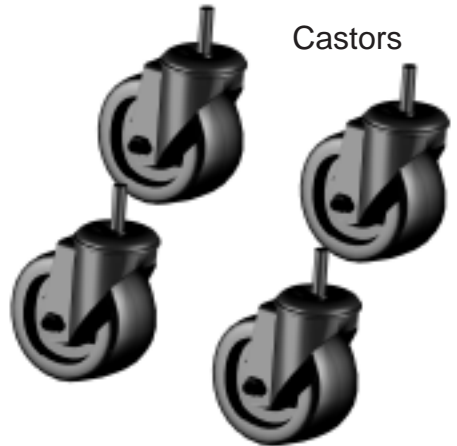


Castors, Legs & Levelers

Castors



Castors



Legs



Screw, Leveling
Nylon Foot



Screw, Leveling



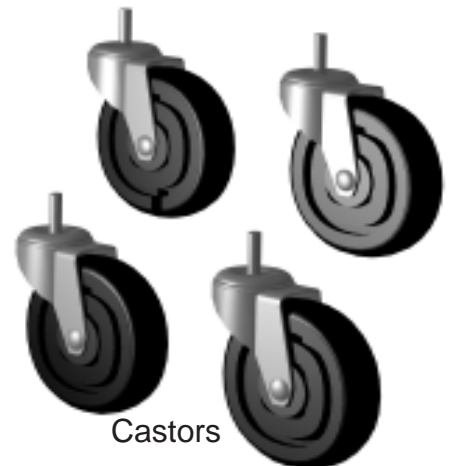
Legs



Legs, Siesmec



Castors

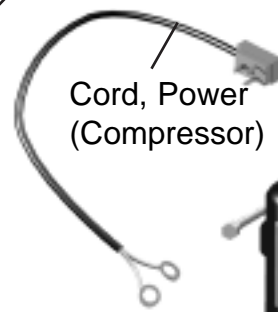


B.

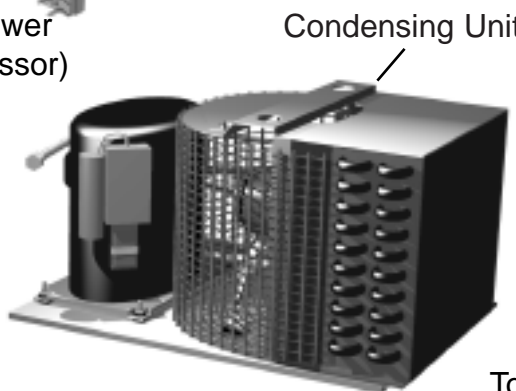
Compressors

T-Series Freezer 1/2 HP or less.

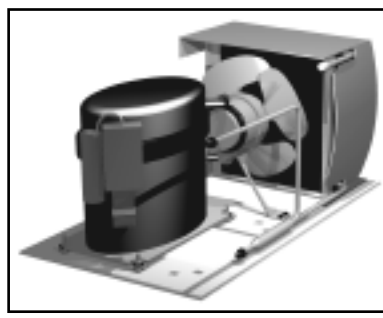
Motor, Condenser Fan



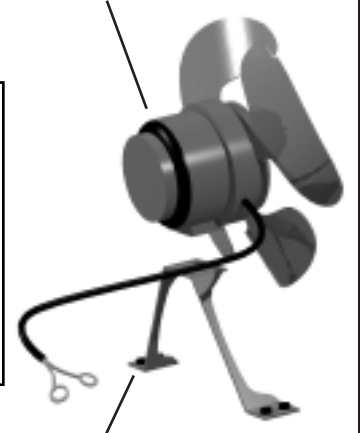
Cord, Power (Compressor)



Condensing Unit

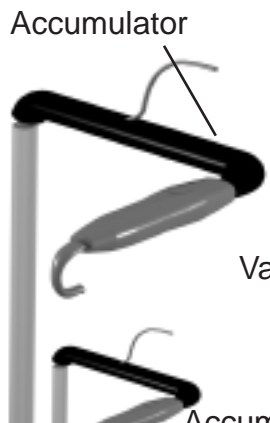


Top Mount Condensing Unit

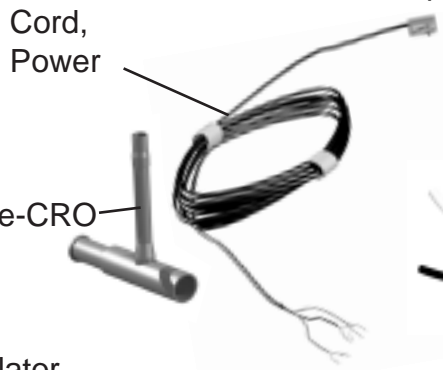


Bracket, Fan Motor

Blade, Fan Motor Condenser



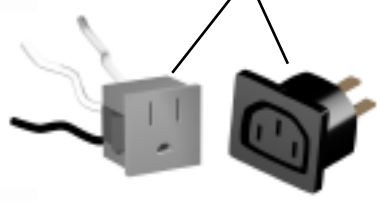
Accumulator



Cord, Power

Valve-CRO

Outlet, Compressor



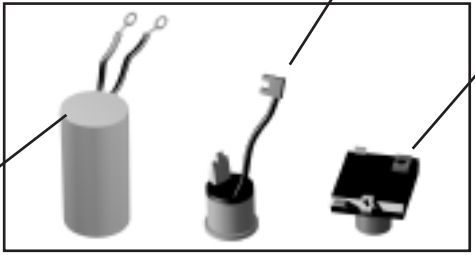
Block, Terminal



Accumulator, Capillary, & Suction Line & Shorter Suction Line for Top Mount Units

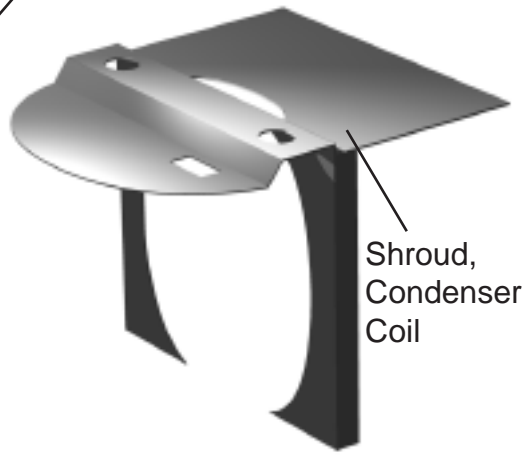
Overload

Relay

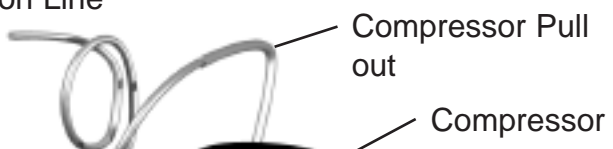


Capacitor, start

Accumulator, Capillary & Suction Line



Shroud, Condenser Coil



Compressor Pull out

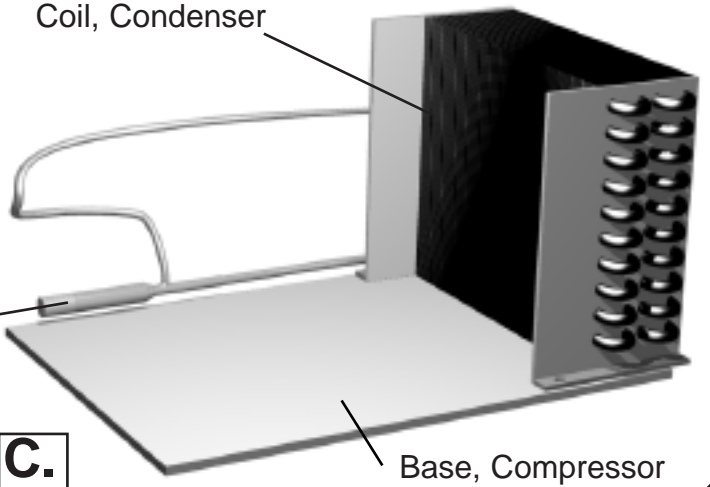
Compressor

Block



Bolt, Compressor

Coil, Condenser



Base, Compressor

Capillary Tube

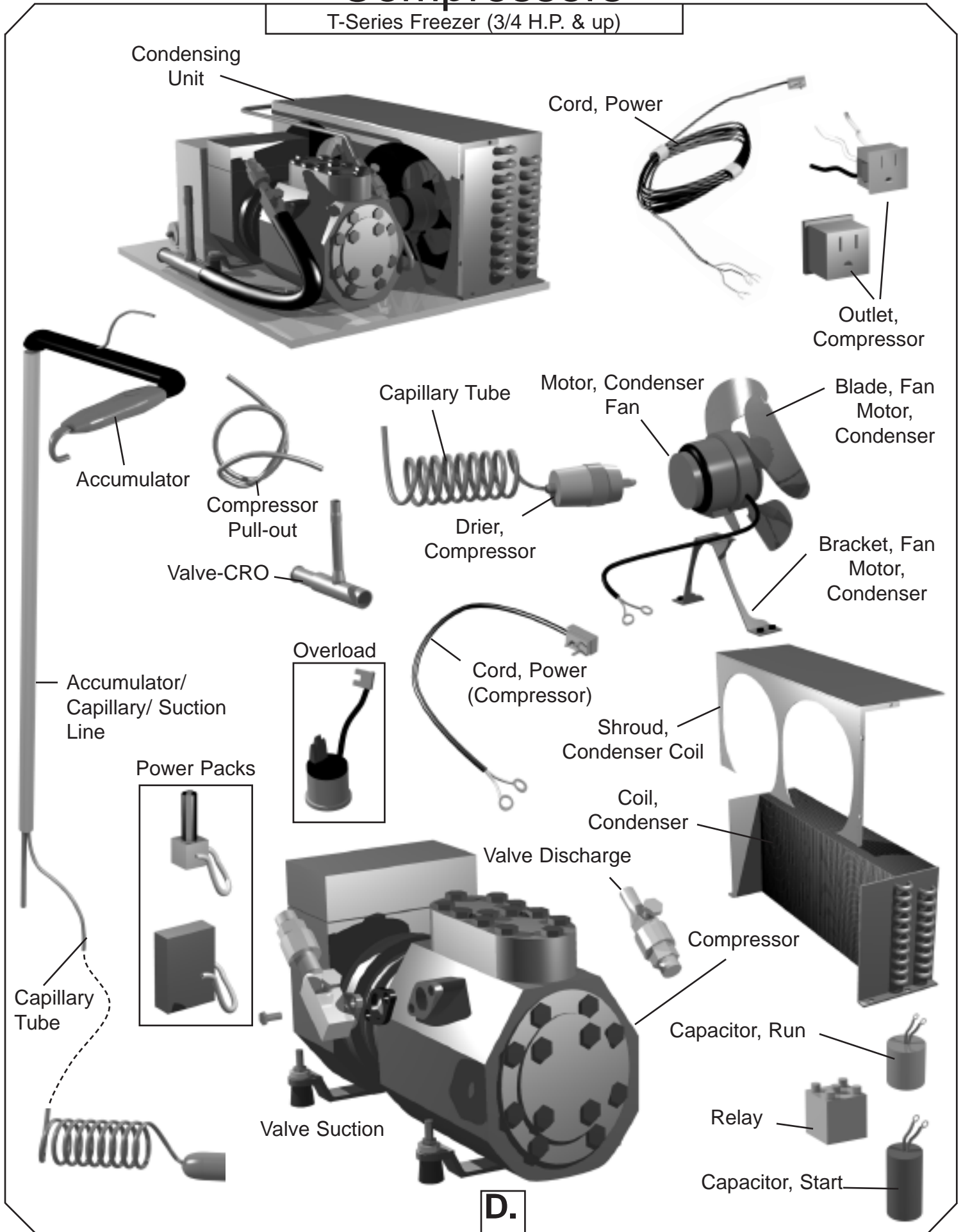


Drier, Compressor

C.

Compressors

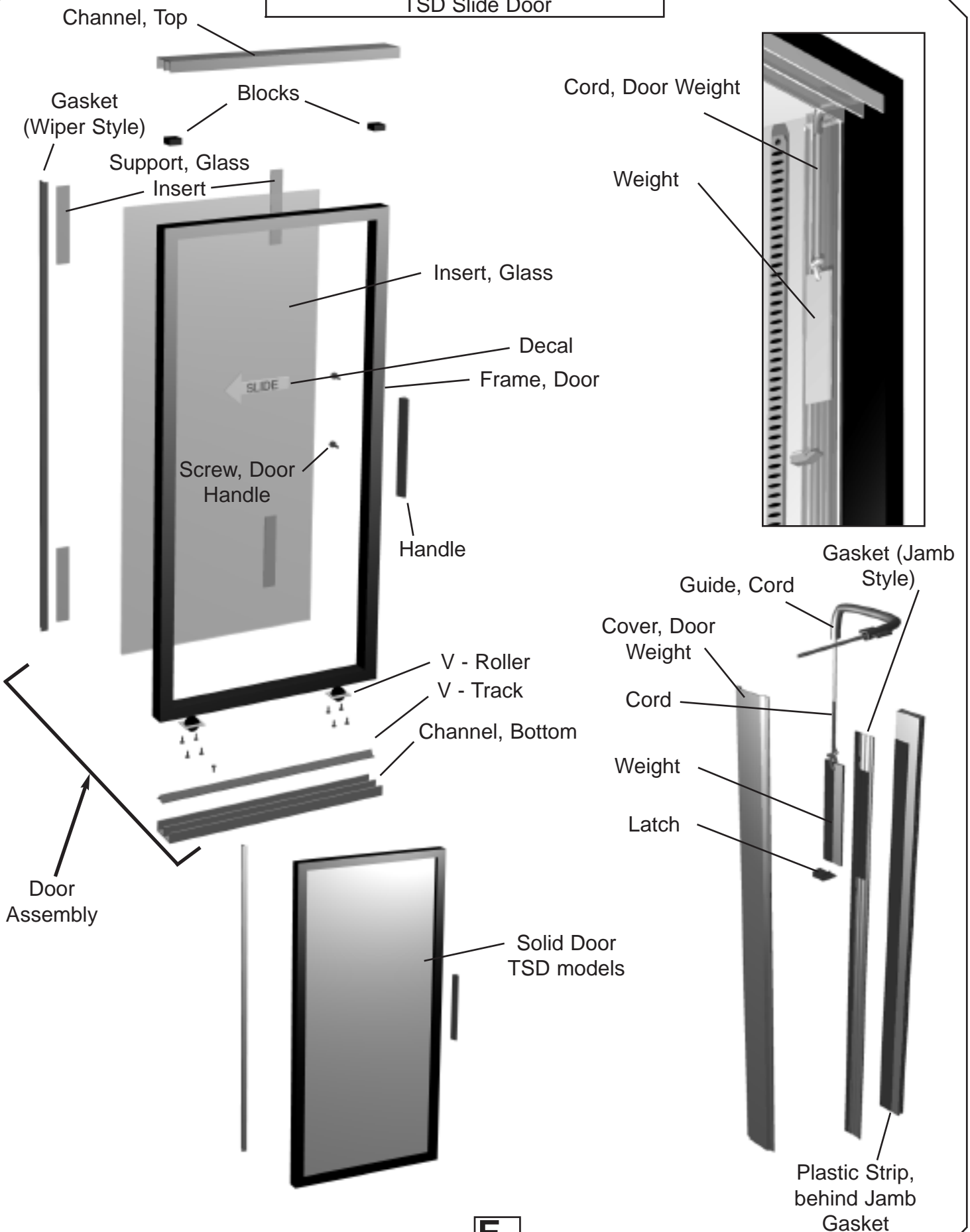
T-Series Freezer (3/4 H.P. & up)



D.

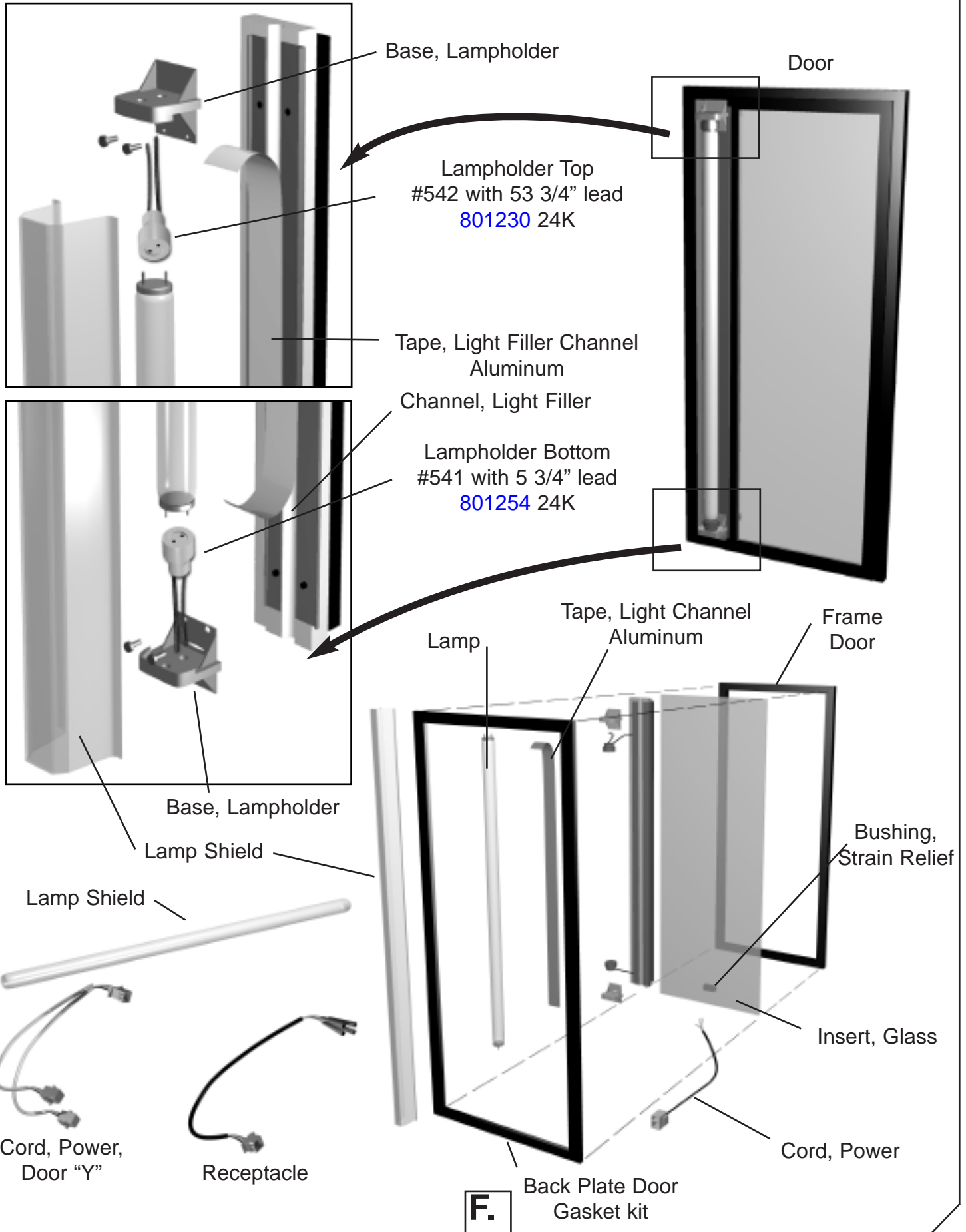
Door Parts

TSD Slide Door



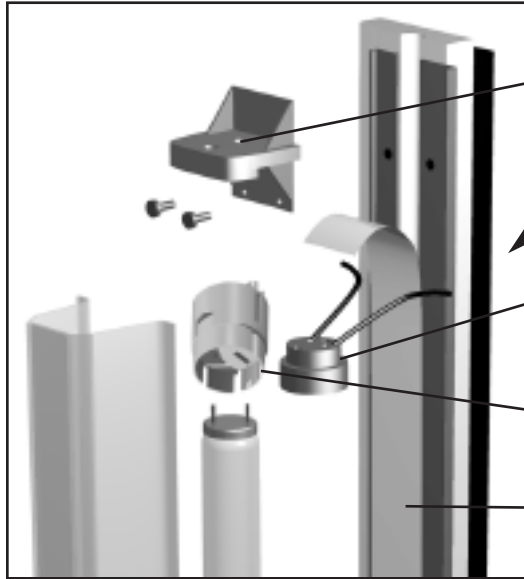
Door Parts

T-Series & TS-Series Coolers Swing Door with Integrated Door Light (IDL) 24K



Door Parts

T-Series & TS-Series Cooler Glass Swing Doors with Integrated Door Light (IDL)



Base, Lampholder

Lampholder Top
#542 with 52 3/4" lead

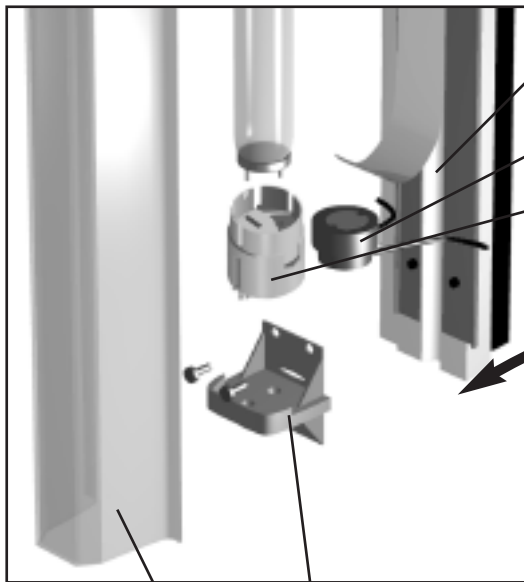
Lampholder Top
26.420.4404.50

Tape, Light Filler Channel
Aluminum

Channel, Light Filler

Lampholder Bottom
#542 with 4 1/2" lead

Lampholder Bottom
26.420.4404.50



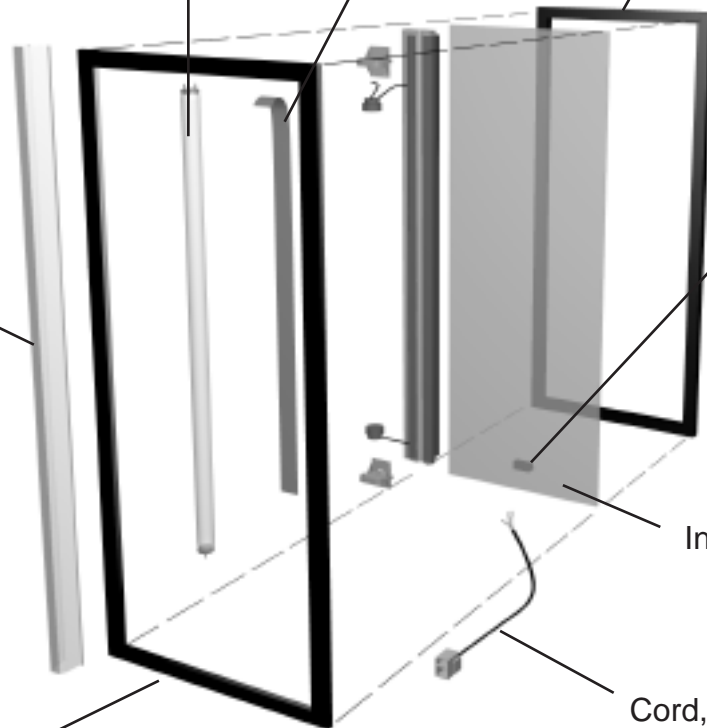
Base, Lampholder

Lamp Shield

Lamp

Tape, Light Channel
Aluminum

Gasket



Bushing,
Strain Relief

Insert, Glass

Cord, Power



Cord, Power,
Door "Y"



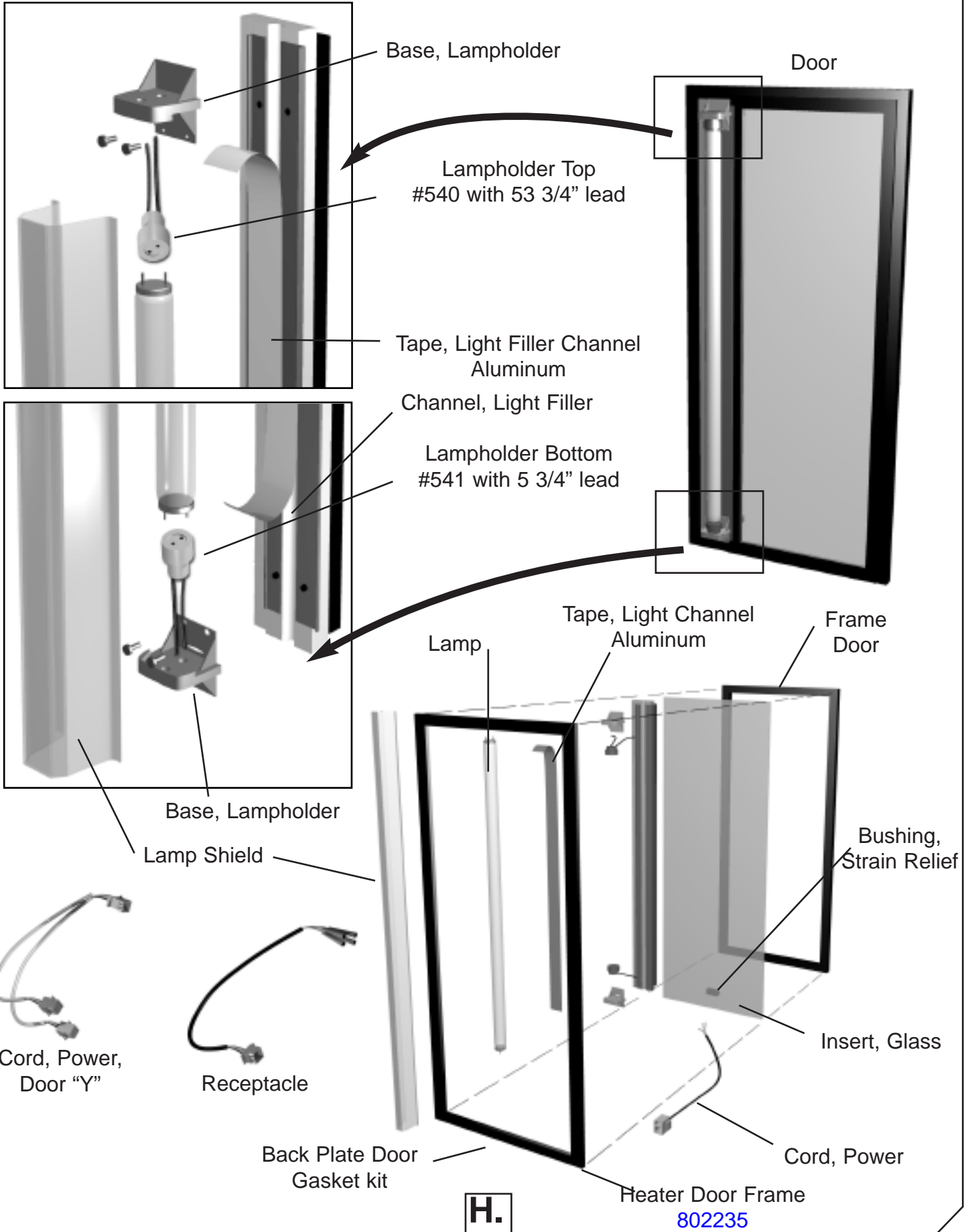
Receptacle

Back Plate Door
Gasket kit

G.

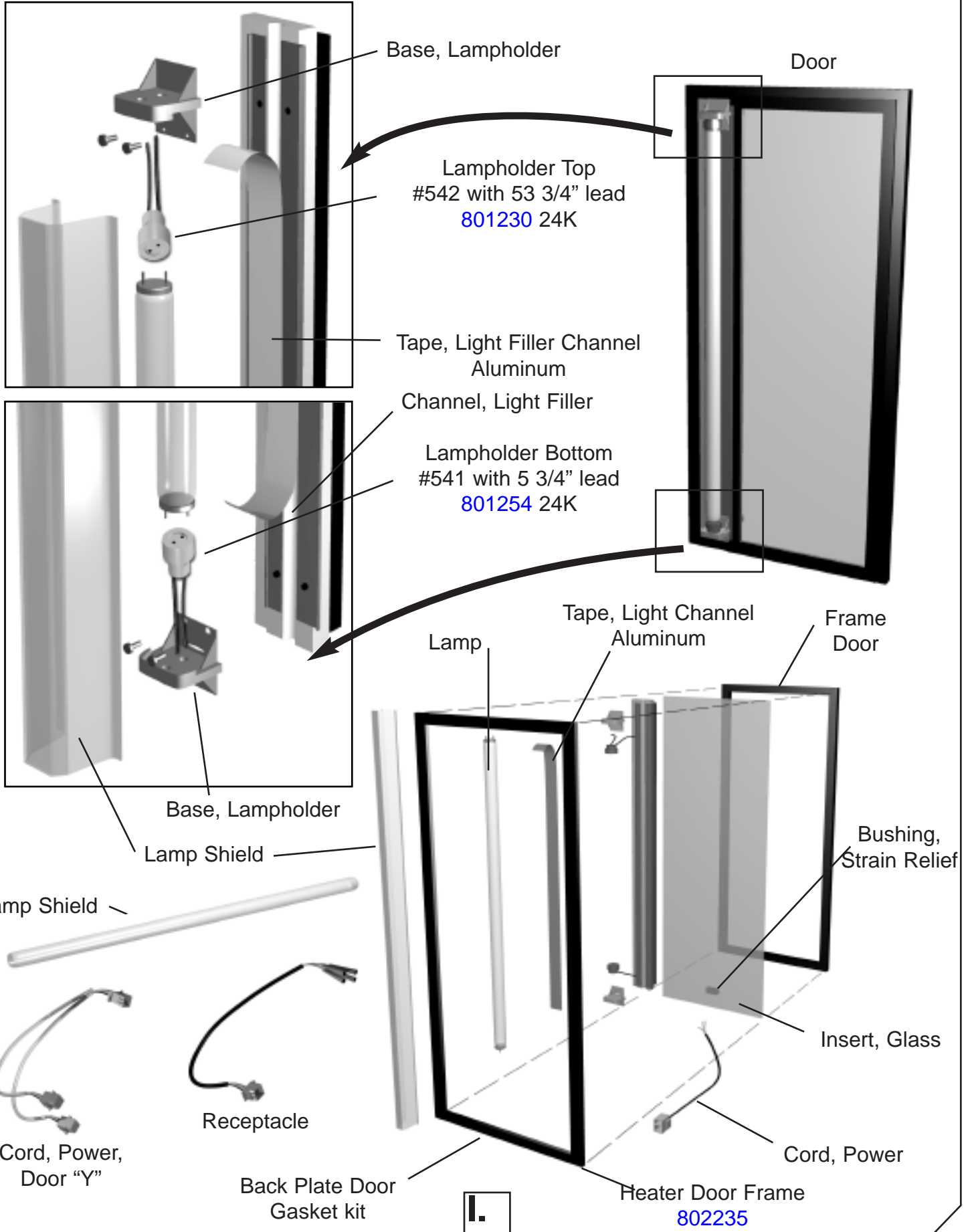
Door Parts

T-Series, TS-Series Freezer & GDM Freezer Swing Door with Integrated Door Light (IDL) VHO Lamp



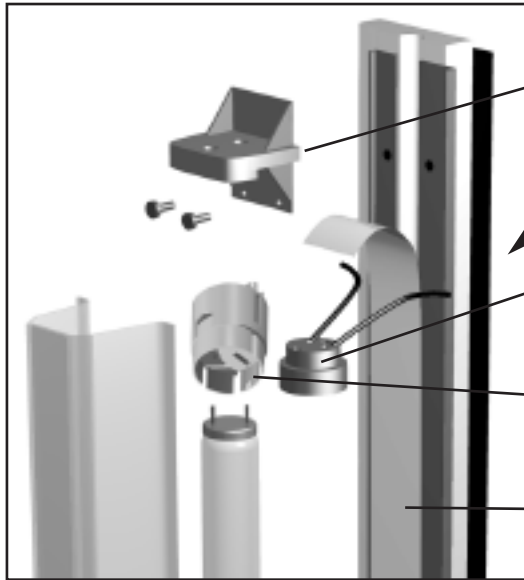
Door Parts

T-Series, TS-Series Freezer & GDM Freezer Swing Door with Integrated Door Light (IDL) 24K



Door Parts

TM - Cooler 115v/208/220v Swing Door with Integrated Door Light (IDL) 24K



Base, Lampholder

Lampholder Top
#542 with 4 1/2" lead

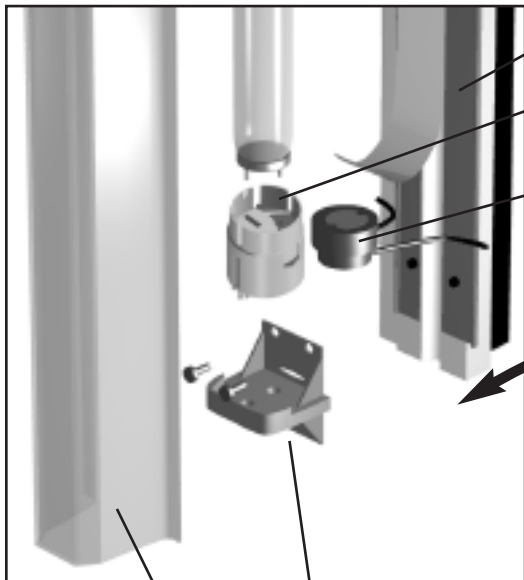
Lampholder Top
26.420.4404.50

Tape, Light Filler Channel
Aluminum

Channel, Light Filler

Lampholder Bottom
26.420.4404.50

Lampholder Bottom
542 with 52 3/4" lead



Base, Lampholder

Lamp Shield



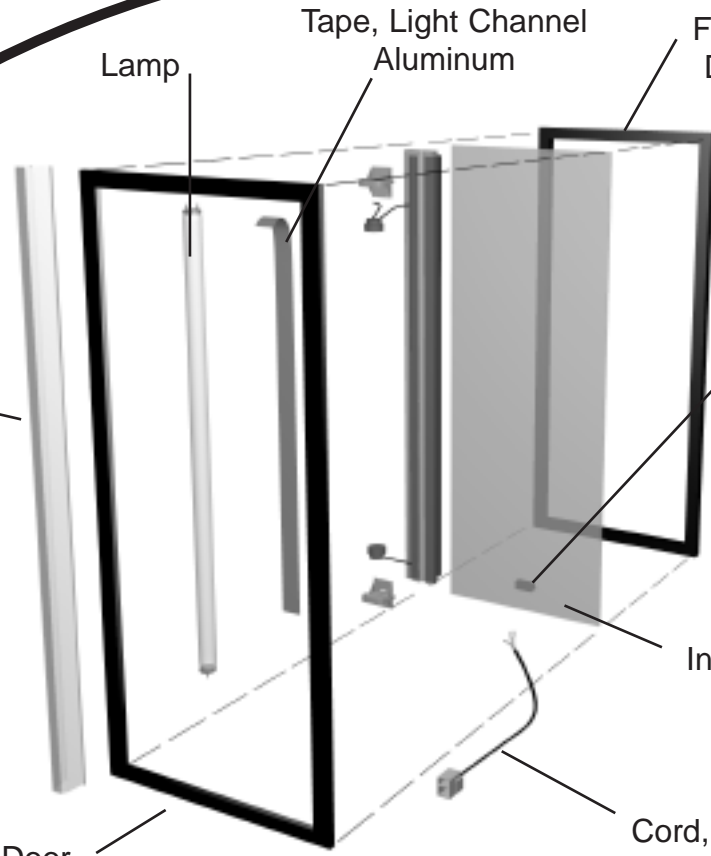
Cord, Power,
Door "Y"



Receptacle



Door



Lamp

Tape, Light Channel
Aluminum

Frame
Door

Bushing,
Strain Relief

Insert, Glass

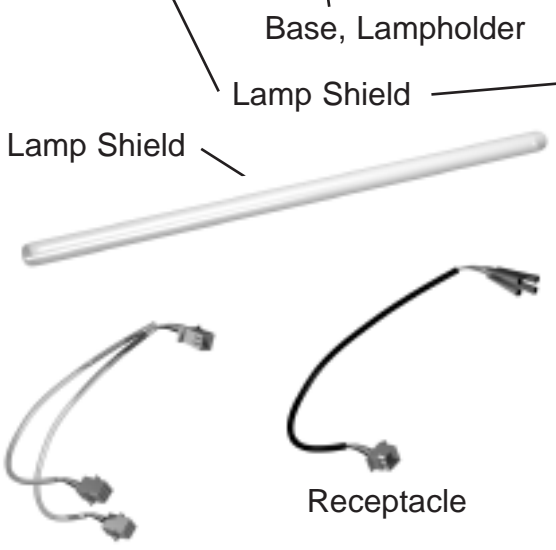
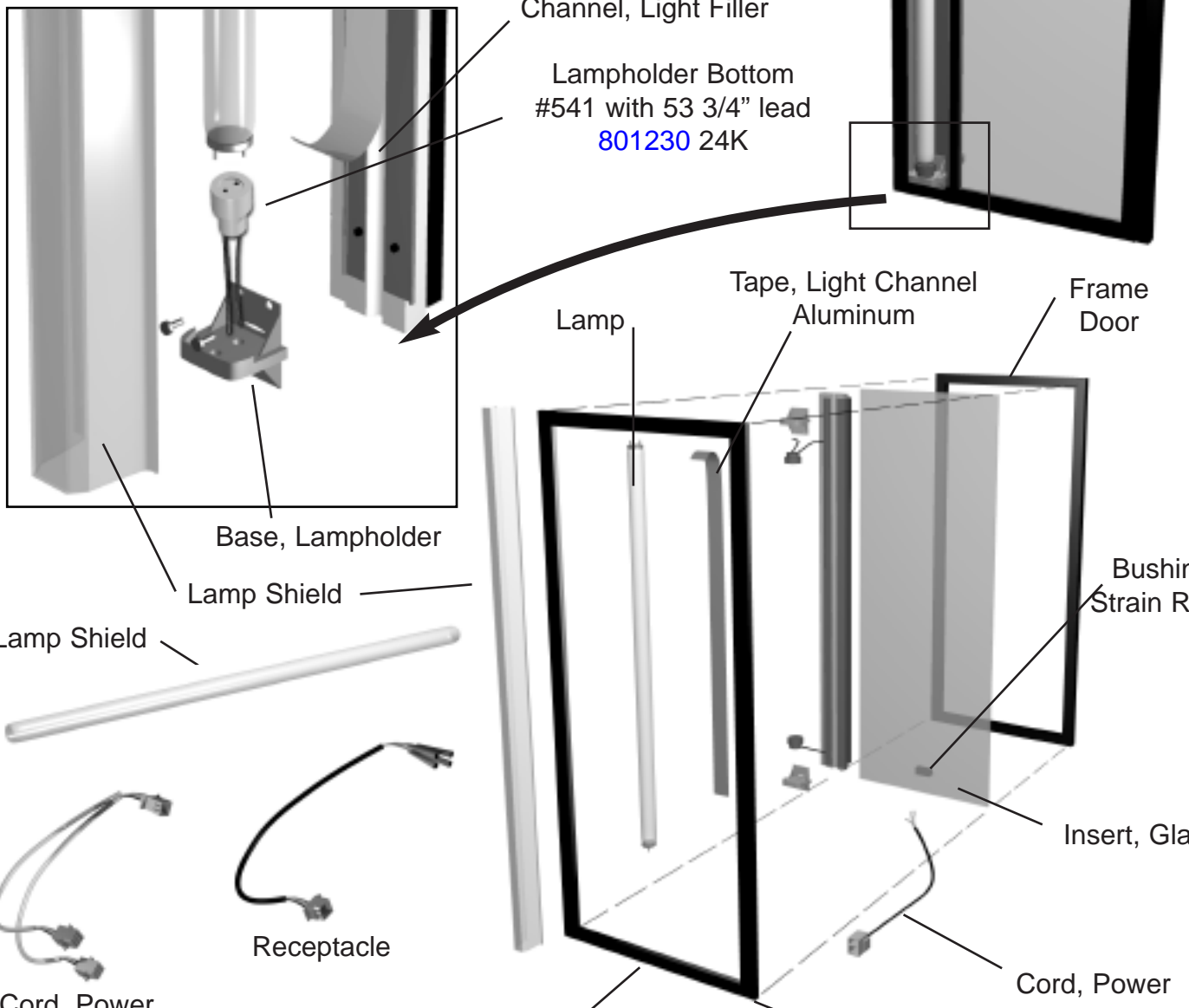
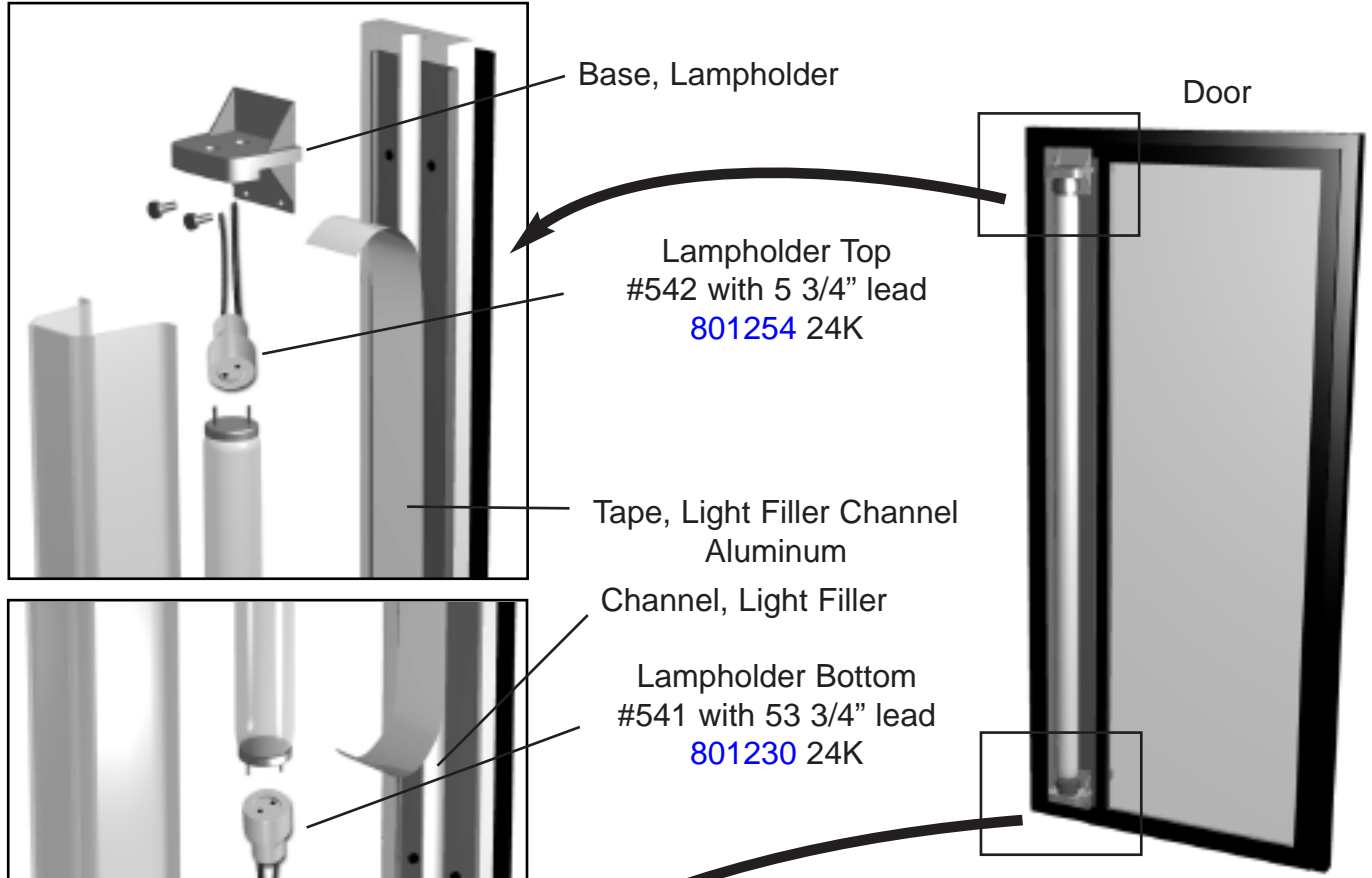
Cord, Power

Back Plate Door
Gasket kit

J.

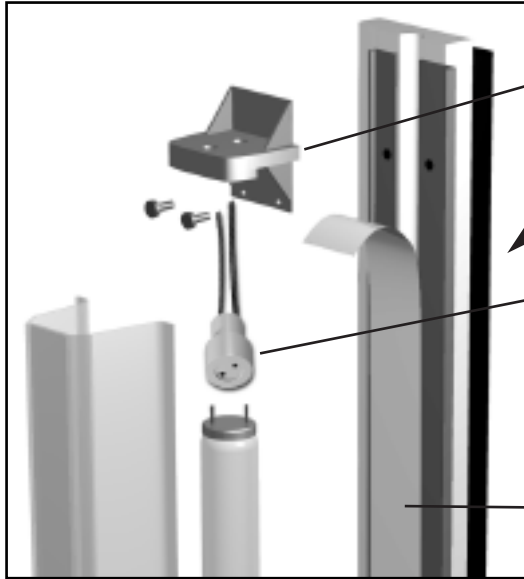
Door Parts

TM - Freezer 115v/208/220v Swing Door with Integrated Door Light (IDL) 24K



Door Parts

TM - Freezer 115v/208/220v Swing Door with Integrated Door Light (IDL) VHO Lamp



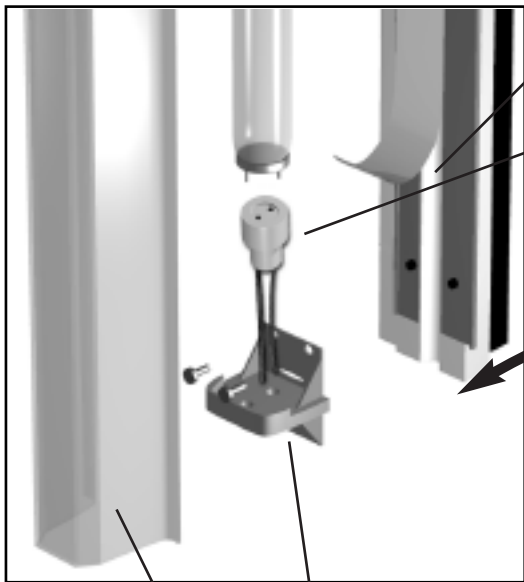
Base, Lampholder

Door

Lampholder Top
#541 with 5 3/4" lead
801358

Tape, Light Filler Channel
Aluminum

Channel, Light Filler



Lampholder Bottom
#540 with 53 3/4" lead
801359

Base, Lampholder

Lamp Shield

Tape, Light Channel
Aluminum

Frame
Door

Lamp

Bushing,
Strain Relief



Insert, Glass

Cord, Power

Back Plate Door
Gasket kit

Heater Door Frame
802235

L.

Door Parts

T-Series Swing Door, Non-IDL

Gasket

Back Plate, Door Gasket

Insert, Glass

Frame, Door

Handle

Back Plate

Base, Plastic Door Mullion

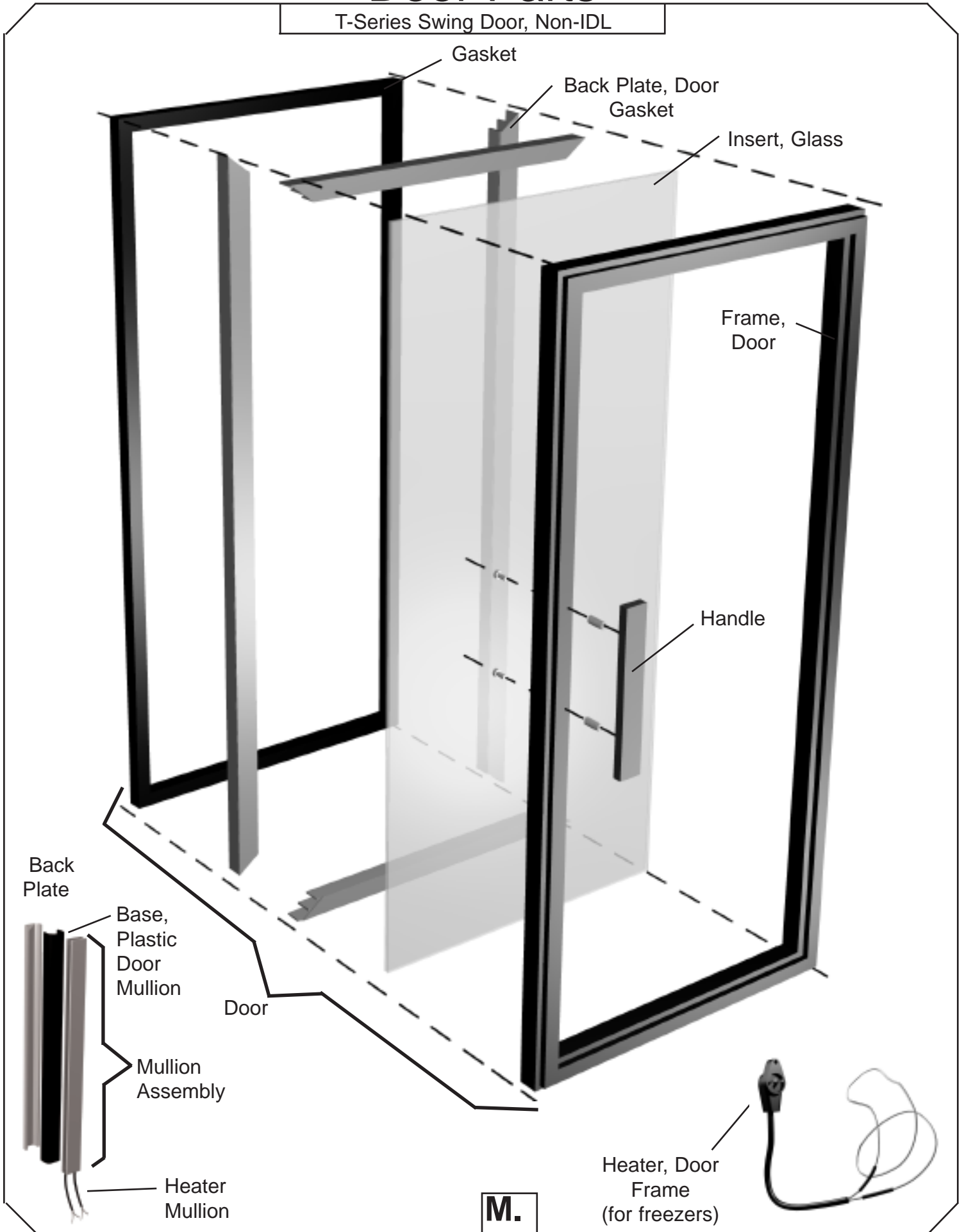
Door

Mullion Assembly

Heater Mullion

Heater, Door Frame (for freezers)

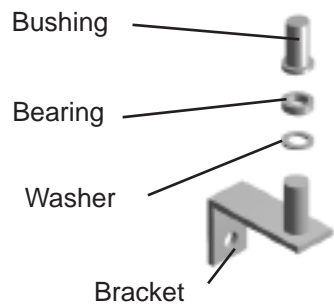
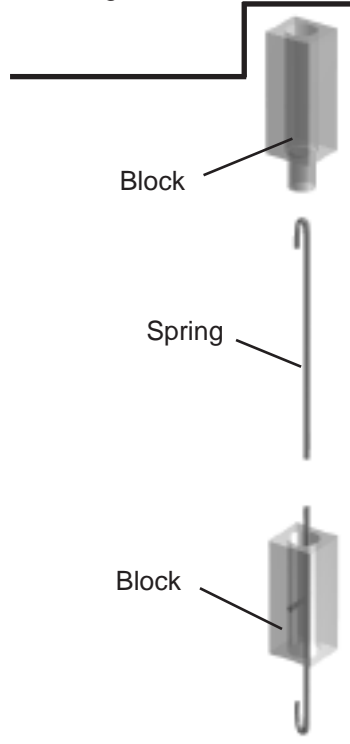
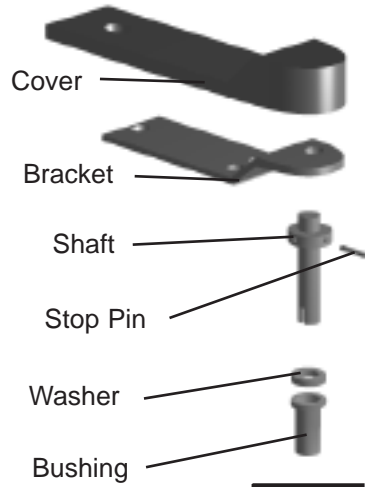
M.



Door Parts

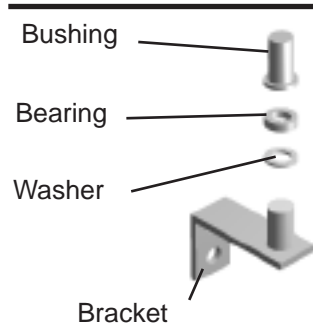
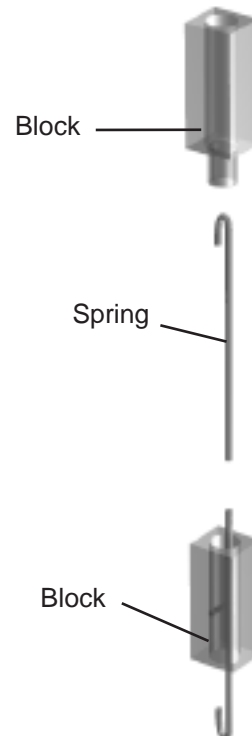
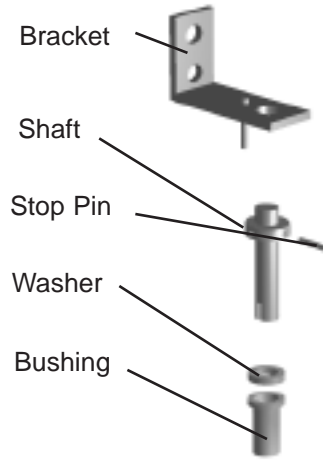
Door Hinges

T-12, T-12F Kit, Door Hinge Top



Kit, Door Hinge Bottom

T-Series Full Door Kit, Door Hinge Top



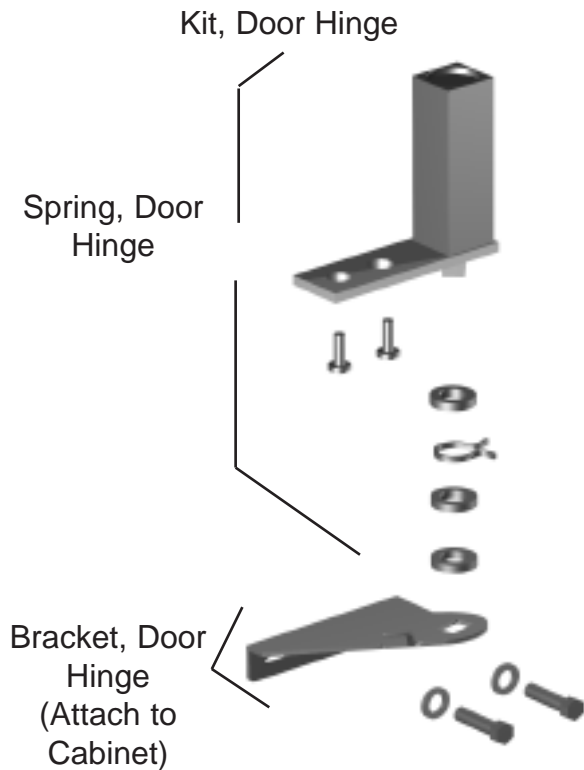
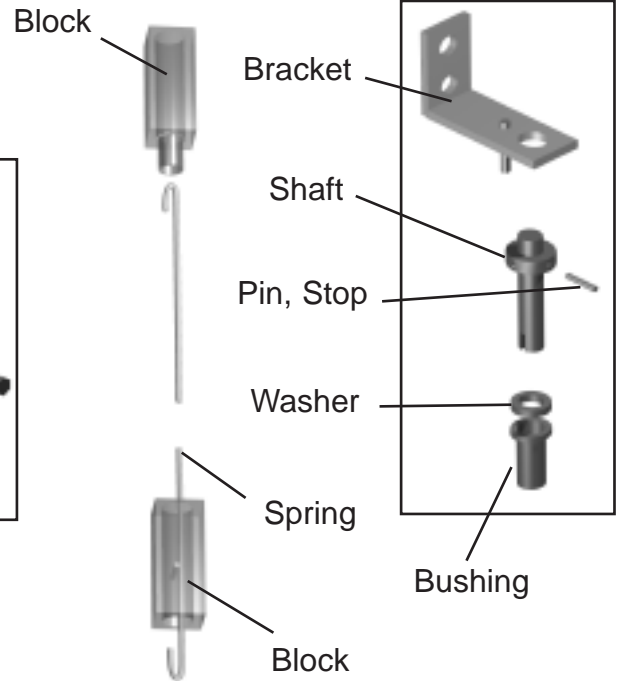
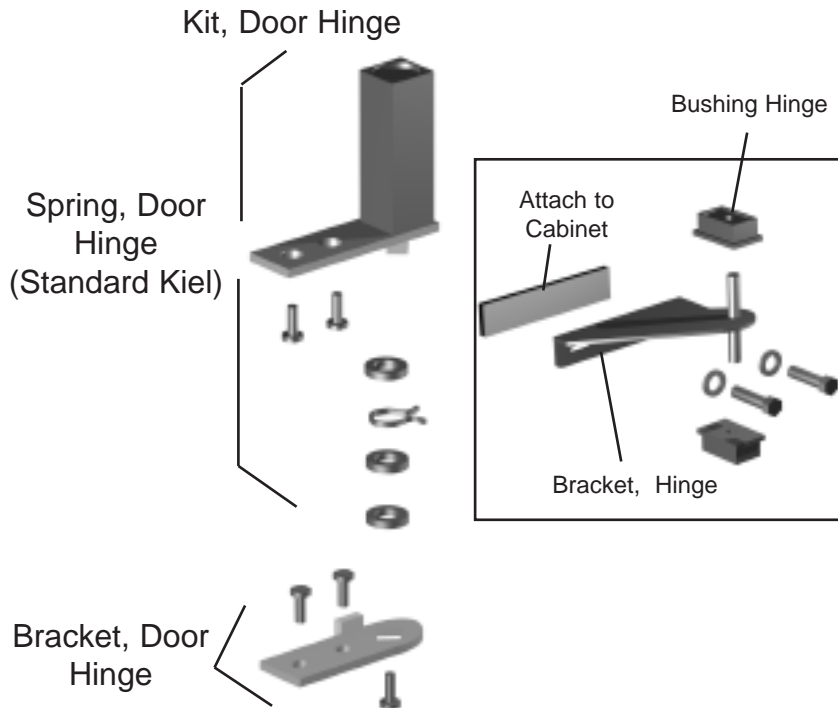
Kit, Door Hinge Bottom

Door Parts

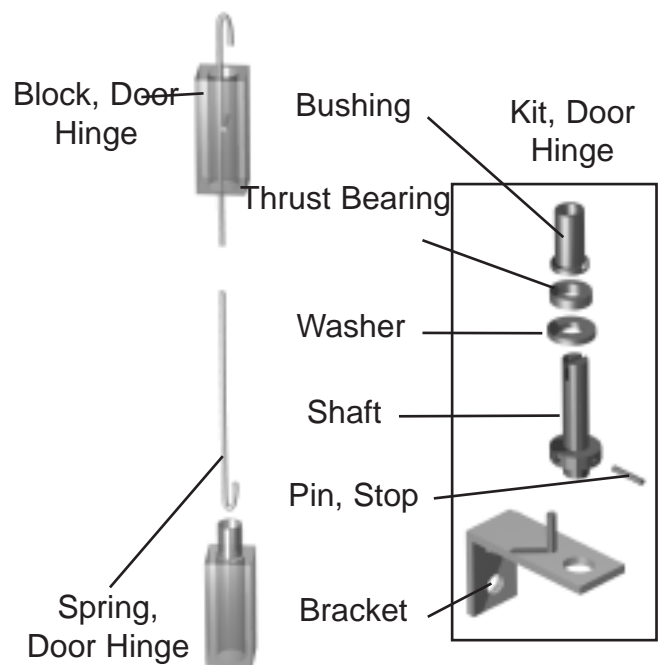
T-Series Half Door Hinges

T-Series Half Door (old style prior to 1995)

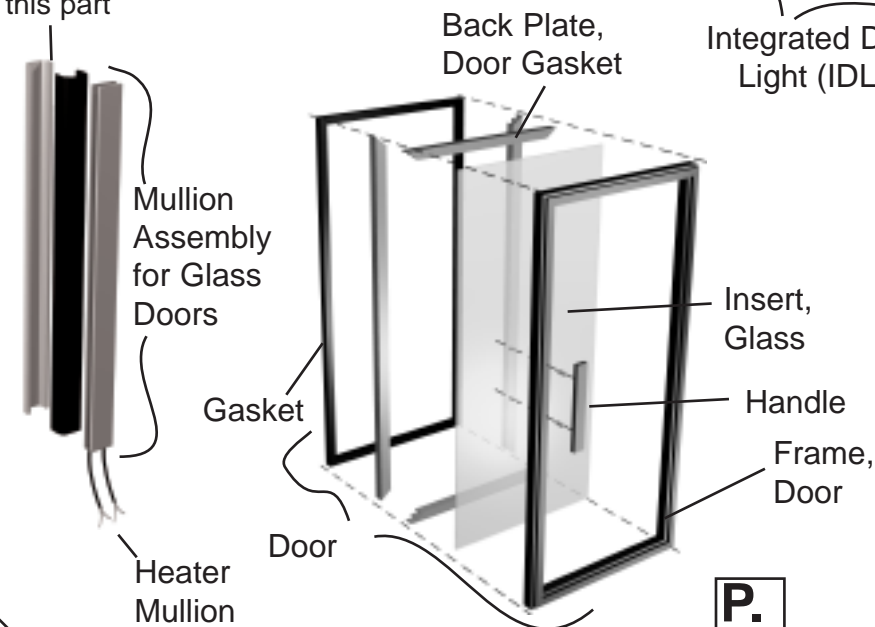
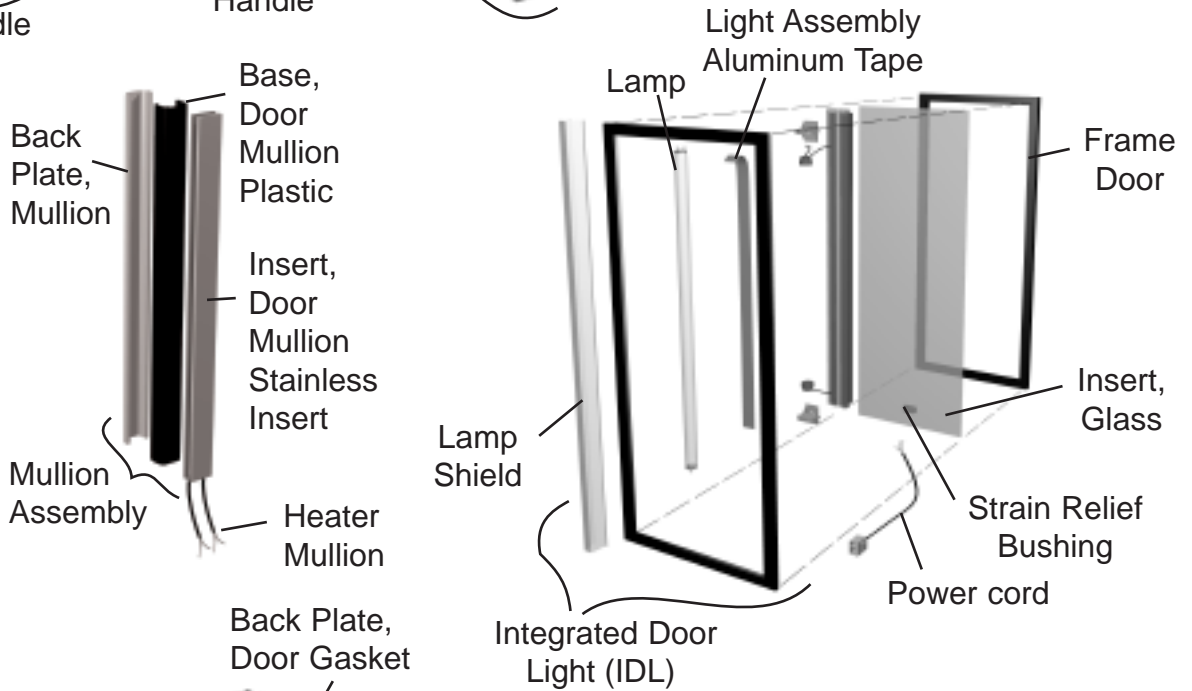
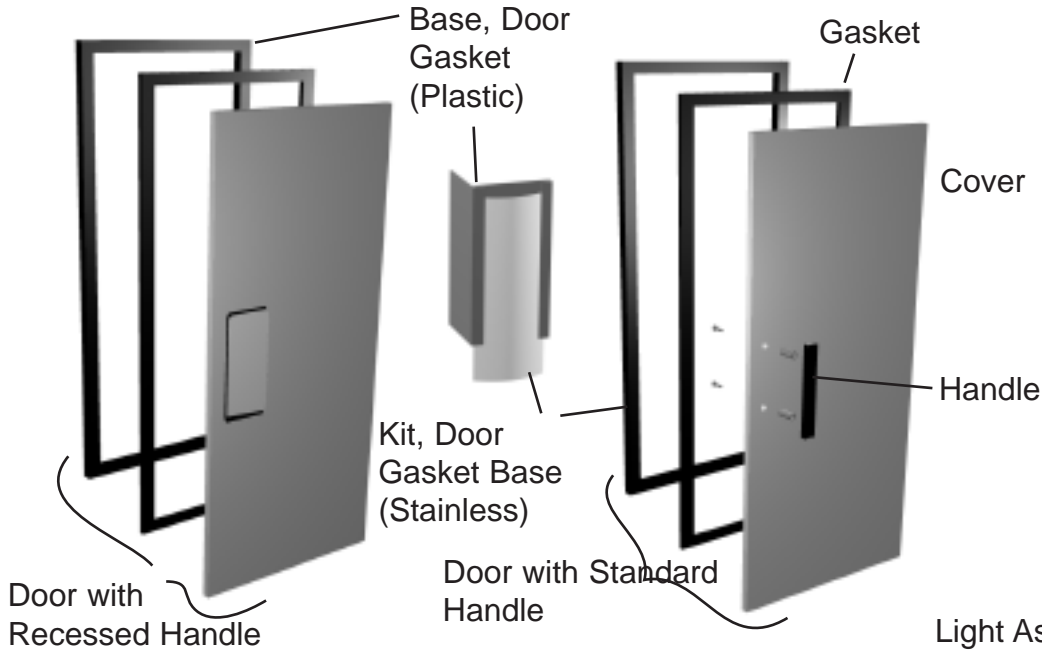
T-Series Half Door (current style)
Kit, Door Hinge



T-Series Half Door (current style)

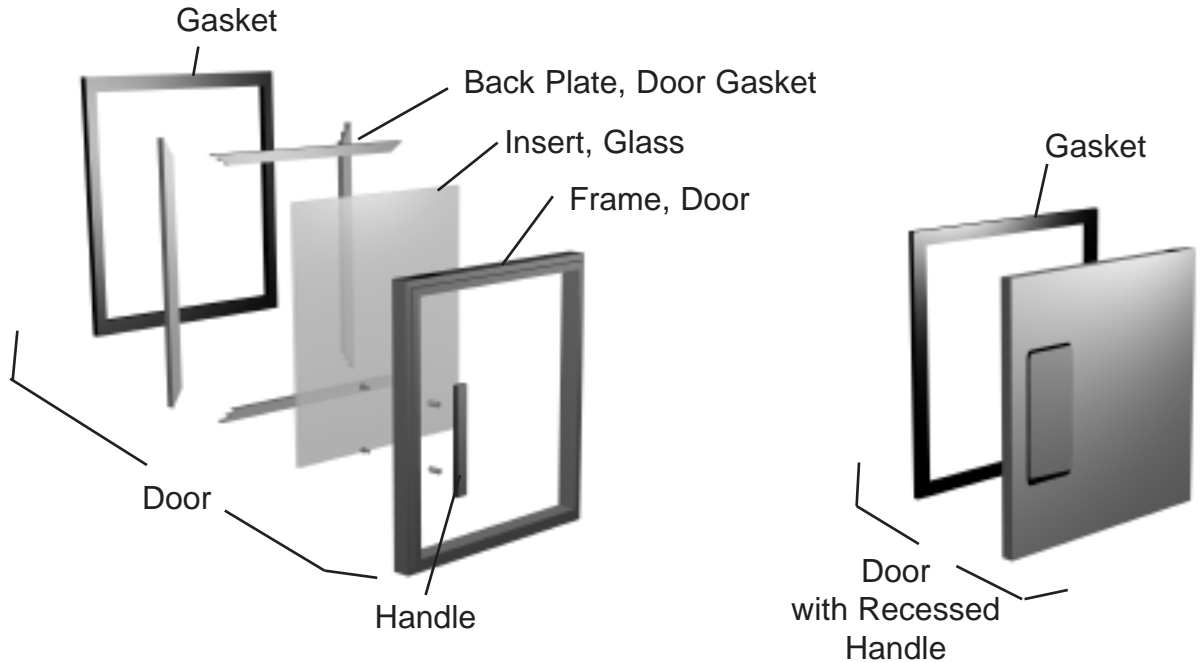


Door Parts

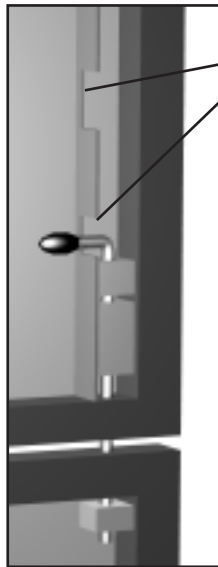


Door Parts

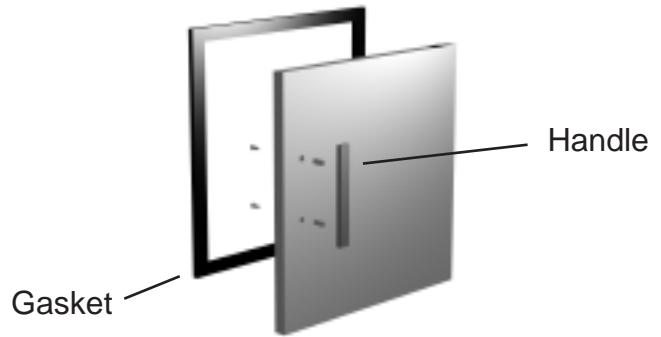
T-Series Half Door (old style prior to 1995 & Current)



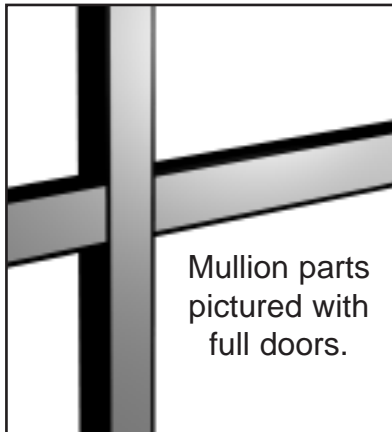
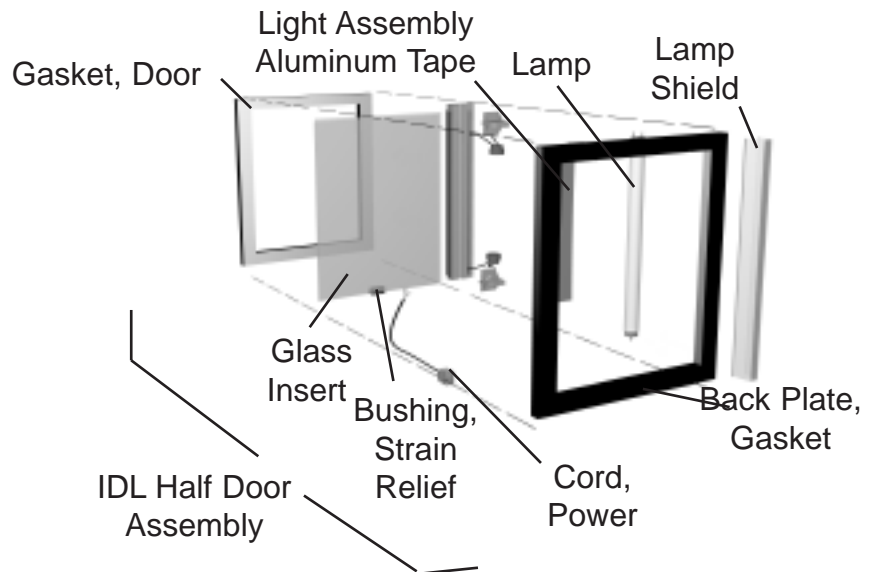
Bar, Door Lock



Old style prior to 1995

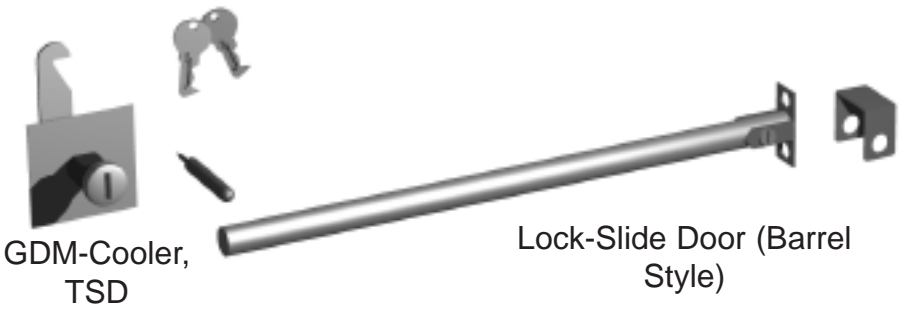


Current Style (IDL)



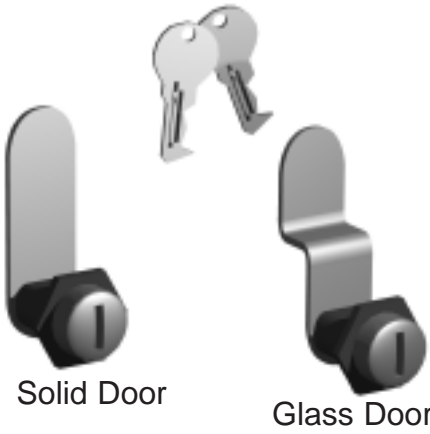
Q.

Door Locks



GDM-Cooler,
TSD

Lock-Slide Door (Barrel
Style)

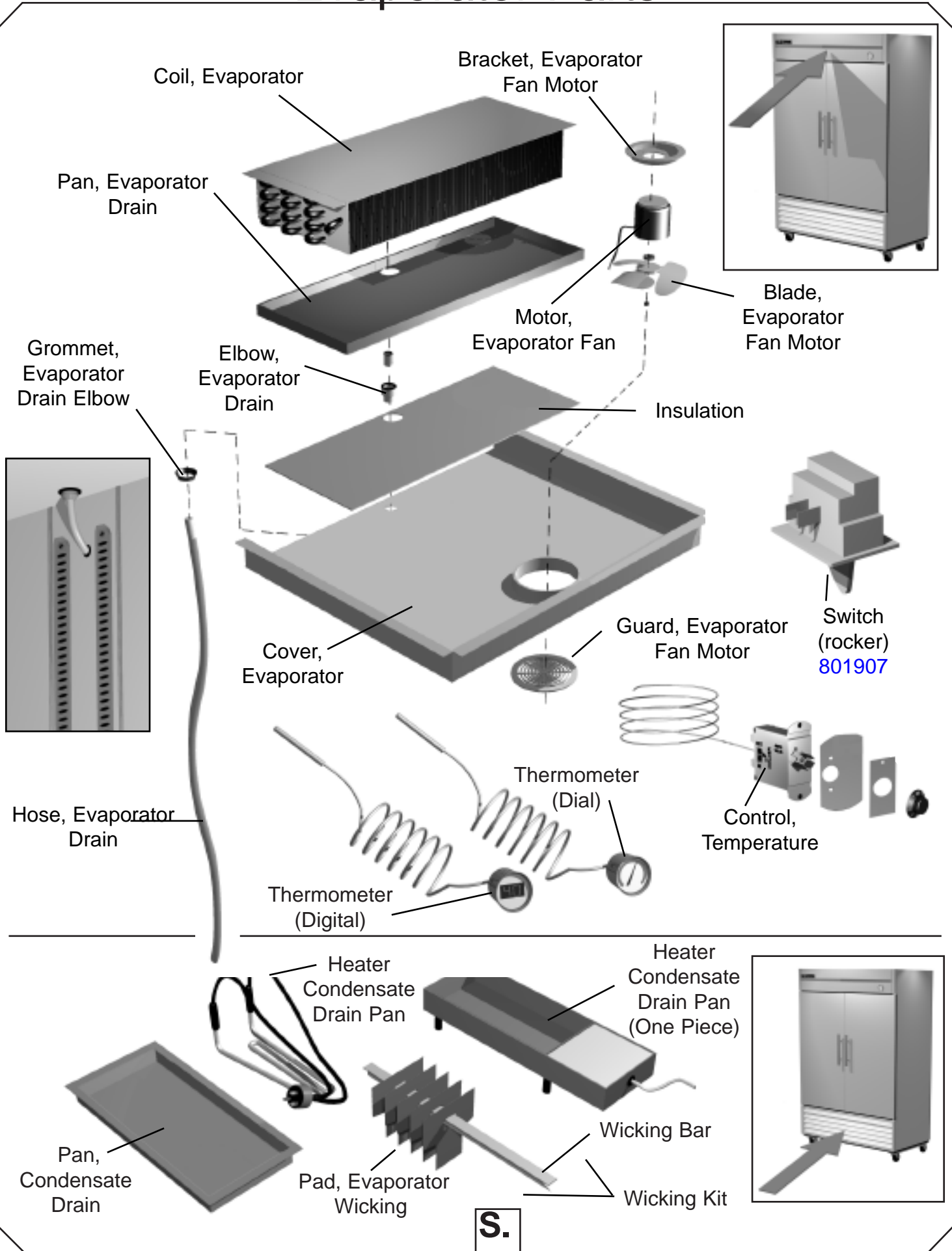


Solid Door

Glass Door

Locks (for T Models)
Cooler & Freezer

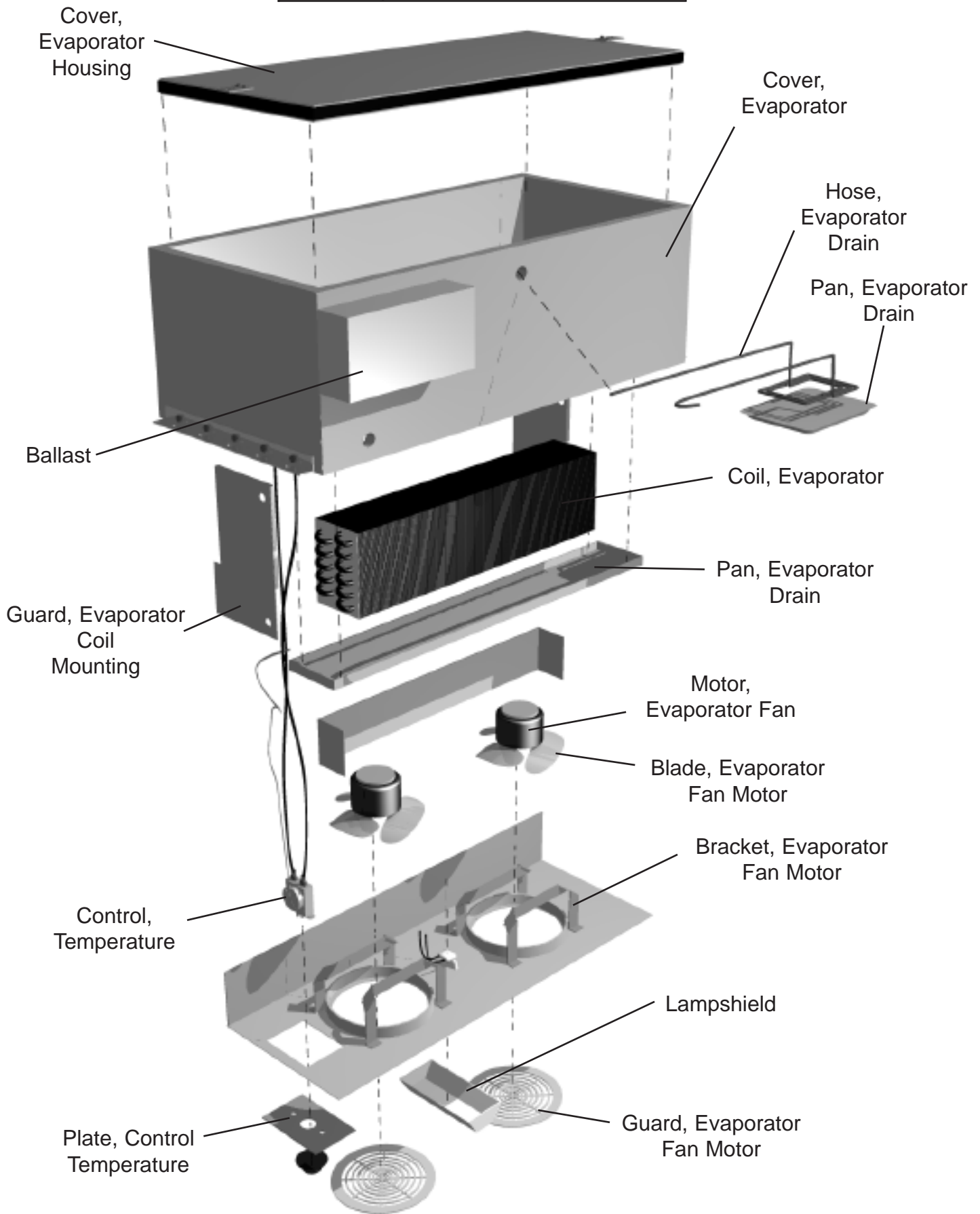
Evaporator Parts



S.

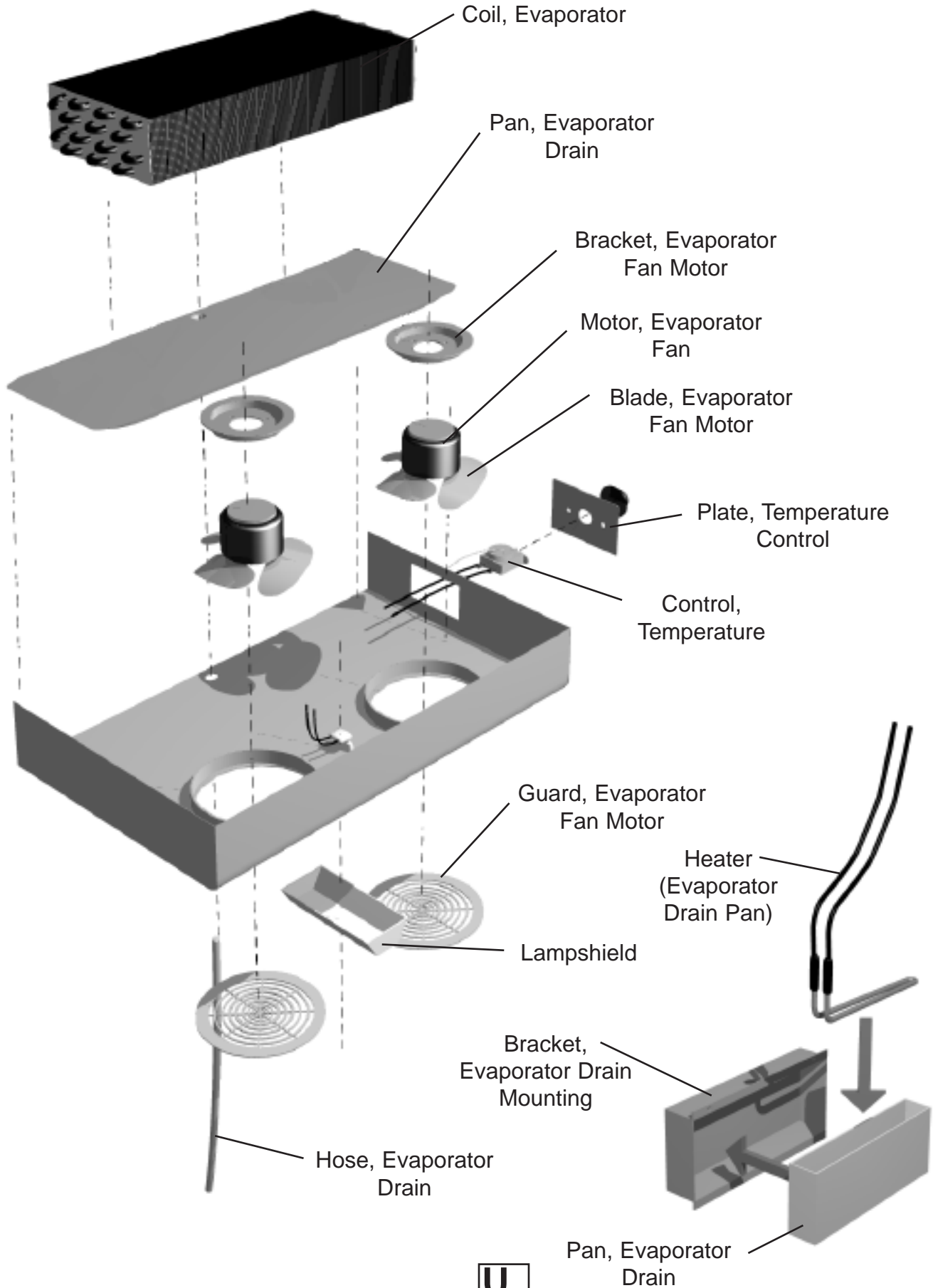
Evaporator Parts

Top Mount Cooler Models



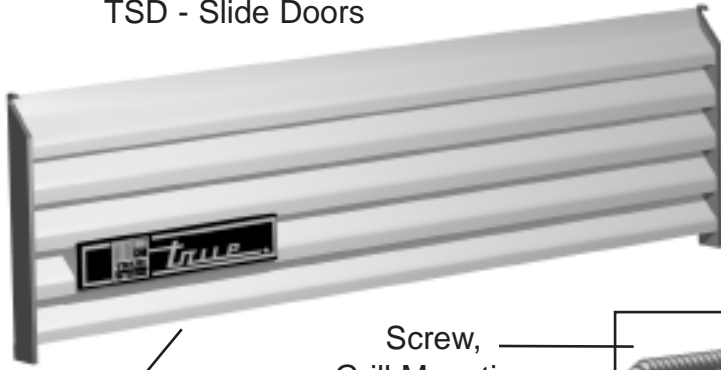
Evaporator Parts

Top Mount Freezer Models



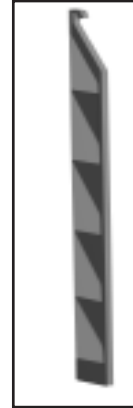
Grill Parts

TSD - Slide Doors

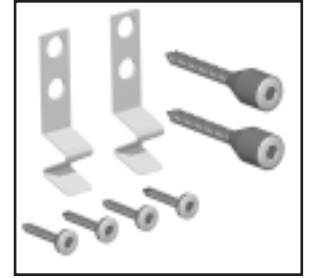


Grill Assembly

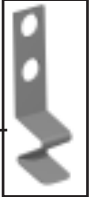
Screw,
Grill Mounting



Grill End

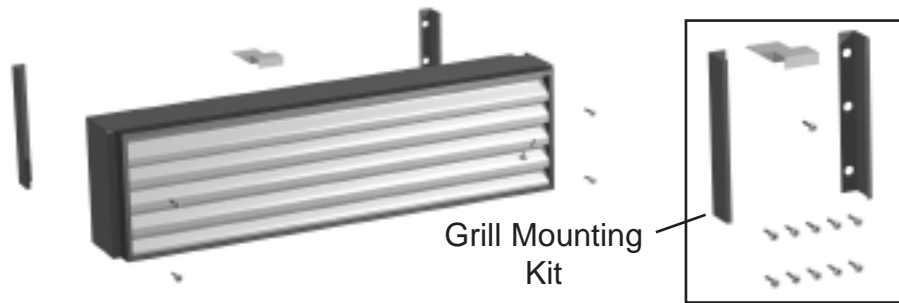
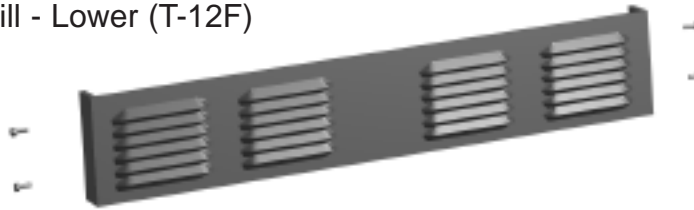


Kit, Grill
Mounting



Clip, Grill
Mounting

Grill - Lower (T-12F)

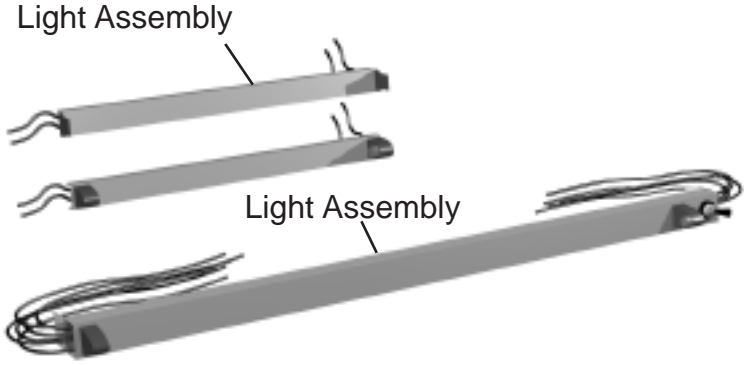
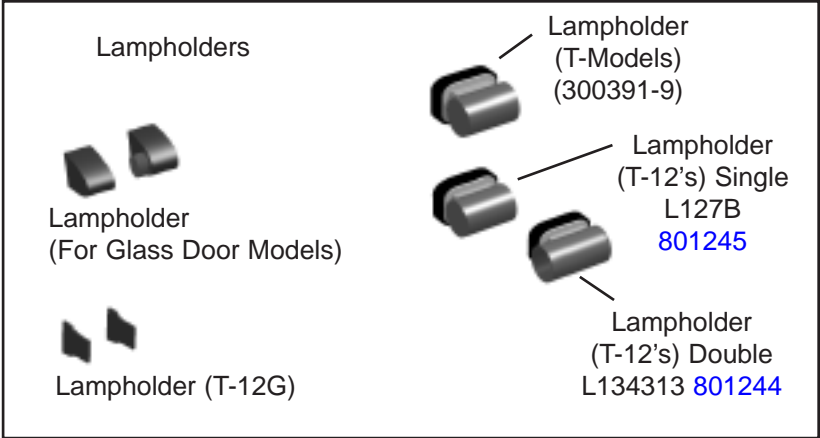
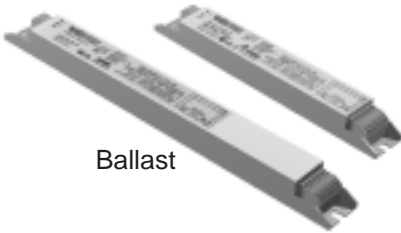
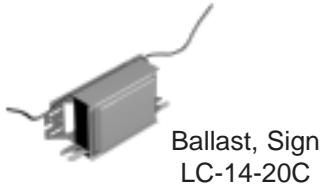


Grill Mounting
Kit

T-Series Coolers & Freezers

Lighting Parts

T-TS-TM-TSD Models



Lighting Parts

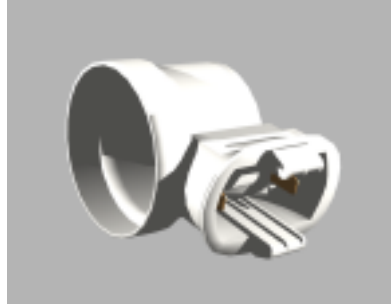
T-Series

Solid Door Cooler & Freezer

T-12 / T-12F
115V, 208V

All Others
115V, 208V, 220V

All Others
220V CE



801267

801266

842058

Glass Door Cooler

Non IDL T-12G
115V, 208V

Non-IDL other than T-12G
115V, 208V

Non-IDL
220V CE

IDL
115V, 208V,
220V, & CE

IDL
115V, 208V,
24K Lamps



LR-110
801222



Springloaded
13570
801223



842055



842111



For 24K Lamps
Top of IDL Door
#542 (52 3/4" Lead)



For 24K Lamps
Top of IDL Door
#542 (52 3/4" Lead)



Stationary
13571
801224



Lampholder
Sleeve
842201



Bottom of IDL Door
#542 (4 1/2" Lead)

Glass Door Freezer

Non IDL
115V, 208V, 220V

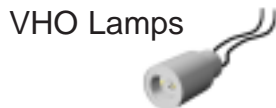
IDL
115V, 208V, 220V

IDL
115V, 208V
220V CE,

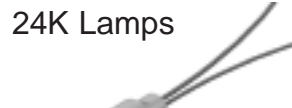
IDL



Lampholder
801250
Top & Bottom



VHO Lamps
For VHO Lamps
Top of IDL Door
#540 (w/53" Lead)



24K Lamps
For 24K Lamps
Top of IDL Door
#542 (52 3/4" Lead)

T-5 HO



26.641.2002.50
801300



Bottom of IDL Door
#541 (5 3/4" Lead)

W.

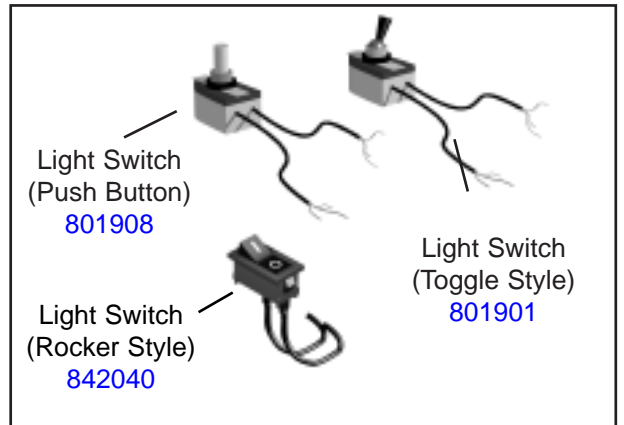
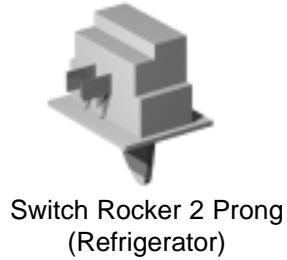
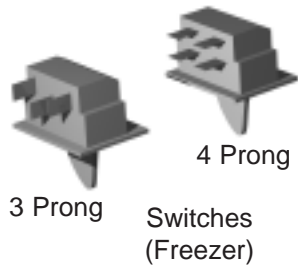


Bottom of IDL Door
#542 (4 1/2" Lead)

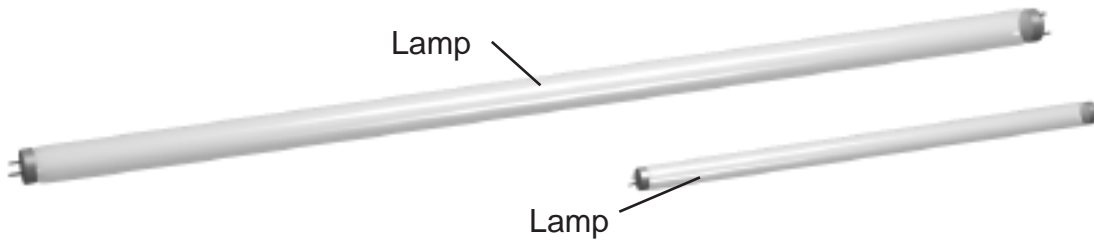
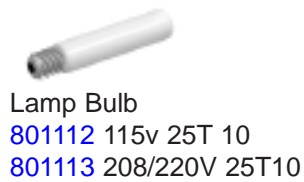
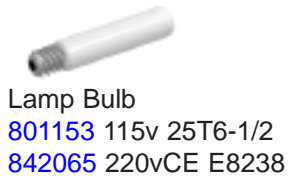
Lighting Parts

T-TS-TM-TSD Models

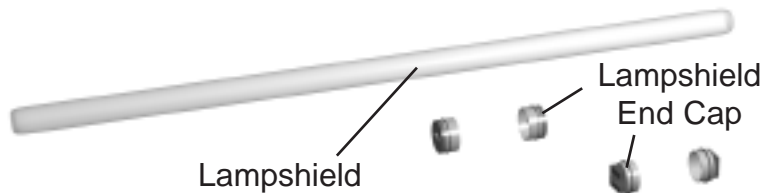
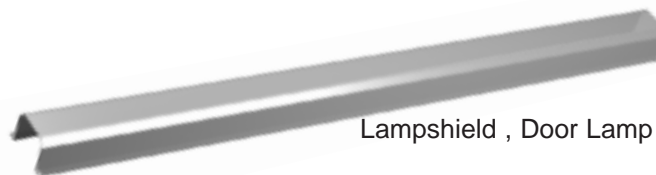
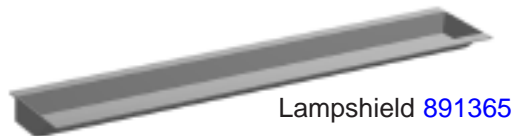
Switches



Lamps



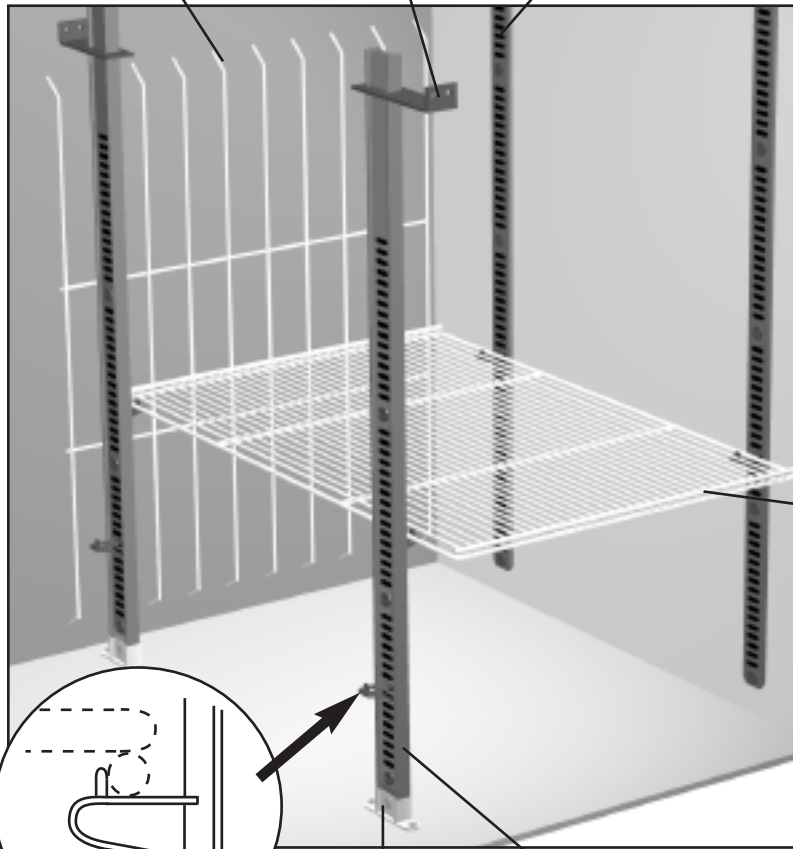
Lampshields



X.

Shelf Parts

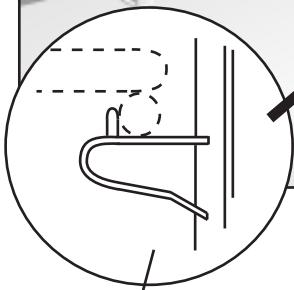
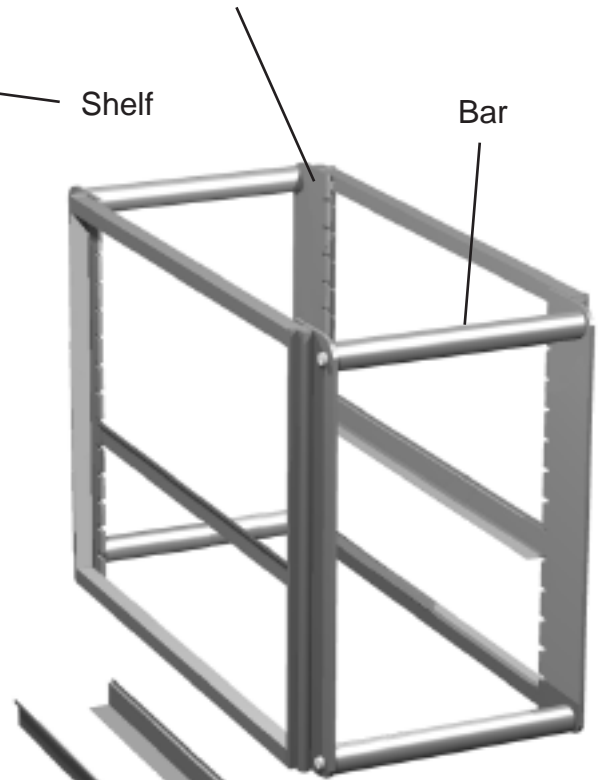
Backguard
Bracket, Shelf Standard
Shelf Standard



Bun Tray Rack

Shelf

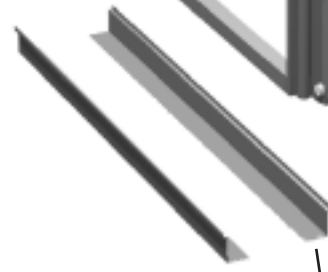
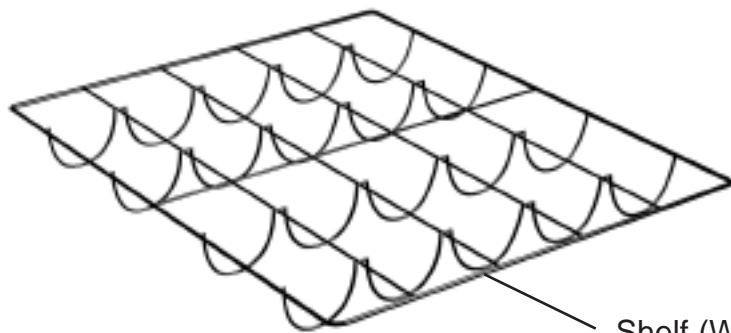
Bar



Shelf Standard (Center)

Clip, Shelf

Bracket, Shelf Standard



Slide, Bun Tray

Shelf (Wine Rack Style)

Sign & Sign Frame Parts

T-Series, TS, TM, & TSD Models

Rainshield

Panel

Frame End Piece

Frame Bottom Piece

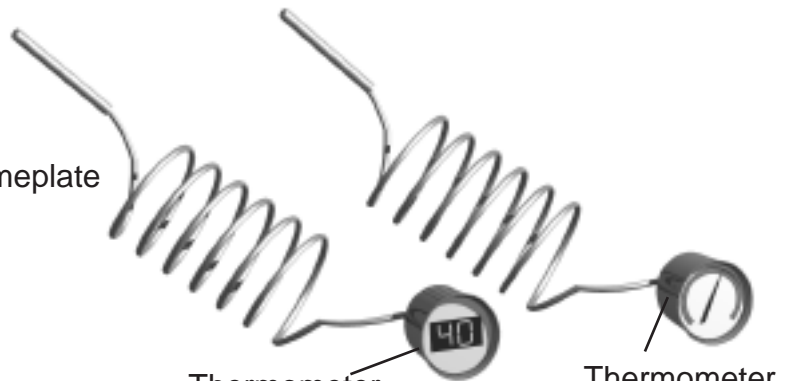
Frame, Assembly

Rainshield

Rainshield for DT models
(T-23 DT, T-49 DT)



Nameplate



Thermometer
(Digital)

Thermometer
(Dial)

Z.