



Turbo Air Speed up the Pace of Innovation

CAUTION!
PLEASE KEEP POWER
SWITCH ON BEFORE
OPERATING THIS EQUIPMENT

Salad Table Refrigerator & Freezer Service Manual

Please read this manual completely before attempting to install or operate this equipment!

Sandwich Salad Unit

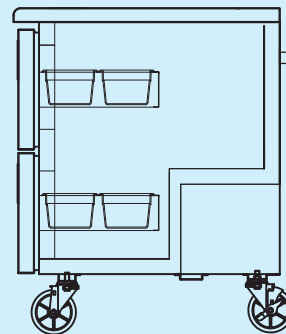
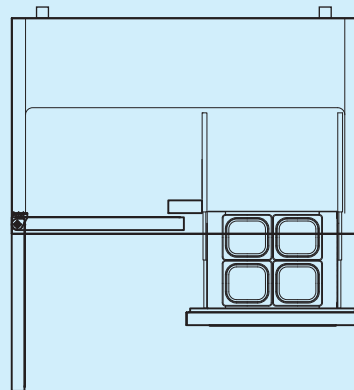
TUR-28SD-D2

TUR-48SD-D2

TUR-48SD-D4

TUR-60SD-D2

TUR-60SD-D4



© TABLE OF CONTENTS

1. EXPLODED VIEW

- 1-1. TUR-28SD-D2 EXPLODED VIEW
- 1-2. TUR-48SD-D2 / TUR-48SD-D4 EXPLODED VIEW
- 1-3. TUR-60SD-D2 / TUR-60SD-D4 EXPLODED VIEW

2. WIRING DIAGRAMS

- 2-1. TUR-28SD-D2 / TUR-48SD-D2 ,D4 / TUR-60SD-D2 ,D4

3. MAIN COMPONENTS

4. TEMPERATURE CONTROL INSTRUCTION

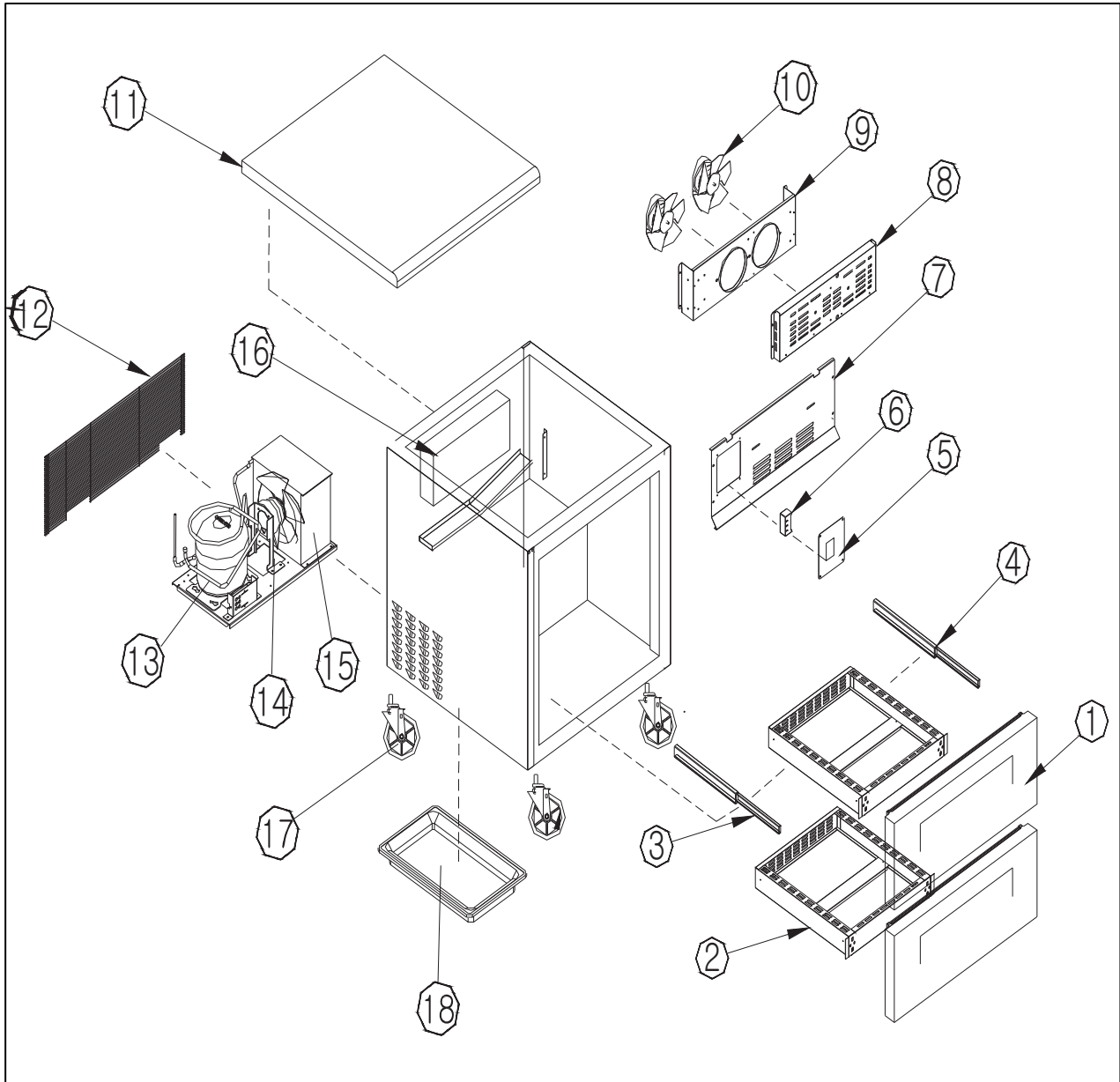
5. PARTS LIST

6. REPLACEMENT OF MAIN COMPONENTS

- 6-1. REPLACING DOOR
- 6-2. REFRIGERATION COMPARTMENT PARTS
- 6-3. COMPRESSOR COMPARTMENT PARTS
- 6-4. REPLACING THE EVAPORATOR & EVAPORATOR FAN MOTOR

1. EXPLODED VIEW

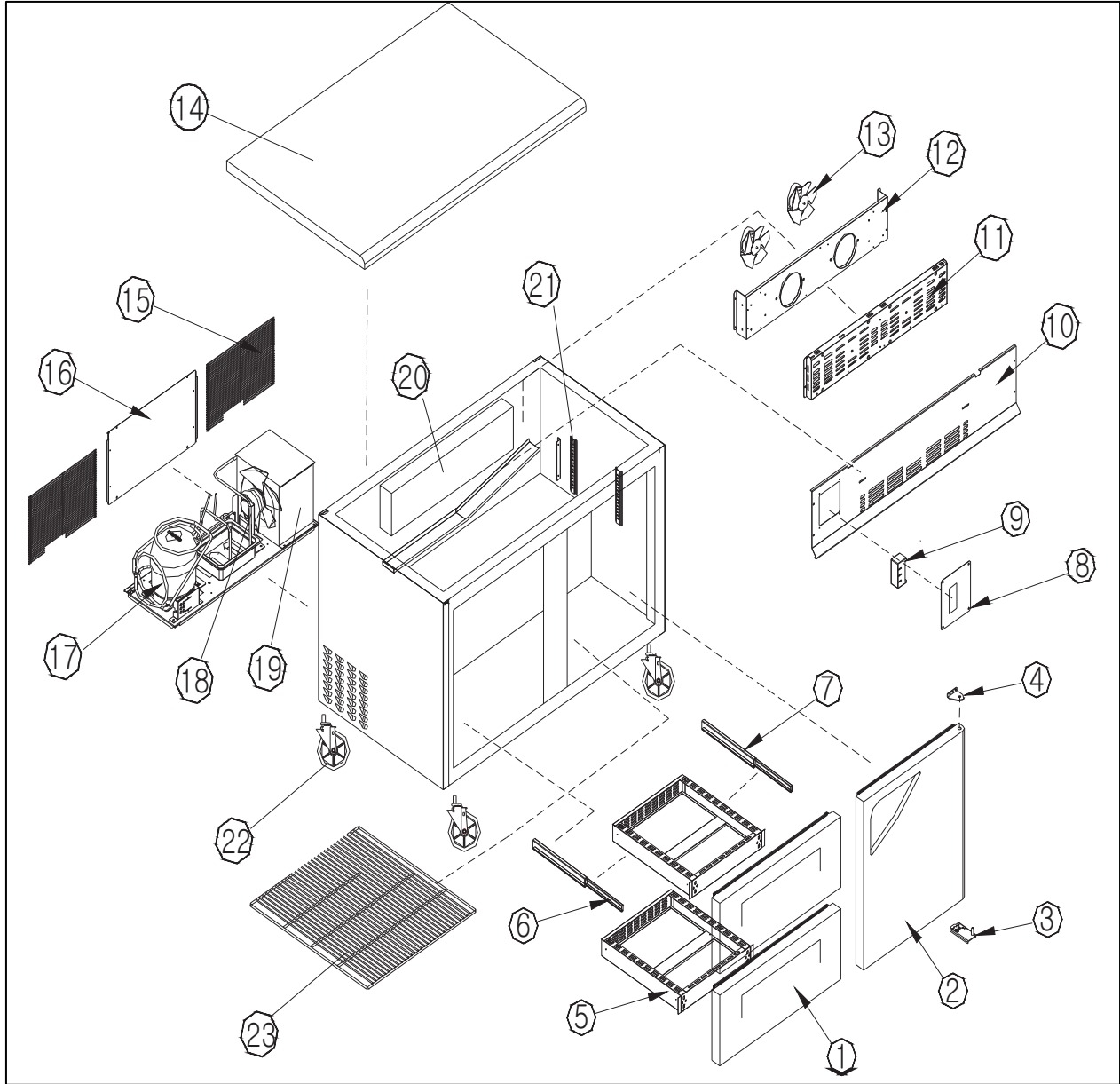
1-1. TUR-28SD-D2 EXPLODED VIEW



© Part Name

1	DRAWER DOOR ASSEMBLY	11	COUNTER TOP ASSEMBLY	21	
2	DRAWER ASSEMBLY	12	MECH COVER	22	
3	DRAWER GUIDE LF ASSEMBLY	13	COMPRESSOR	23	
4	DRAWER GUIDE RH ASSEMBLY	14	CONDENSER FAN MOTOR	24	
5	THERMOSTAT PANEL	15	CONDENSER	25	
6	THERMOSTAT	16	EVAPORATOR	26	
7	EVAPORATOR DUCT	17	CASTER	27	
8	LOUVER	18	DRAIN PAN	28	
9	EVAPORATOR FAN DUCT	19		29	
10	EVAPORATOR FAN MOTOR	20		30	

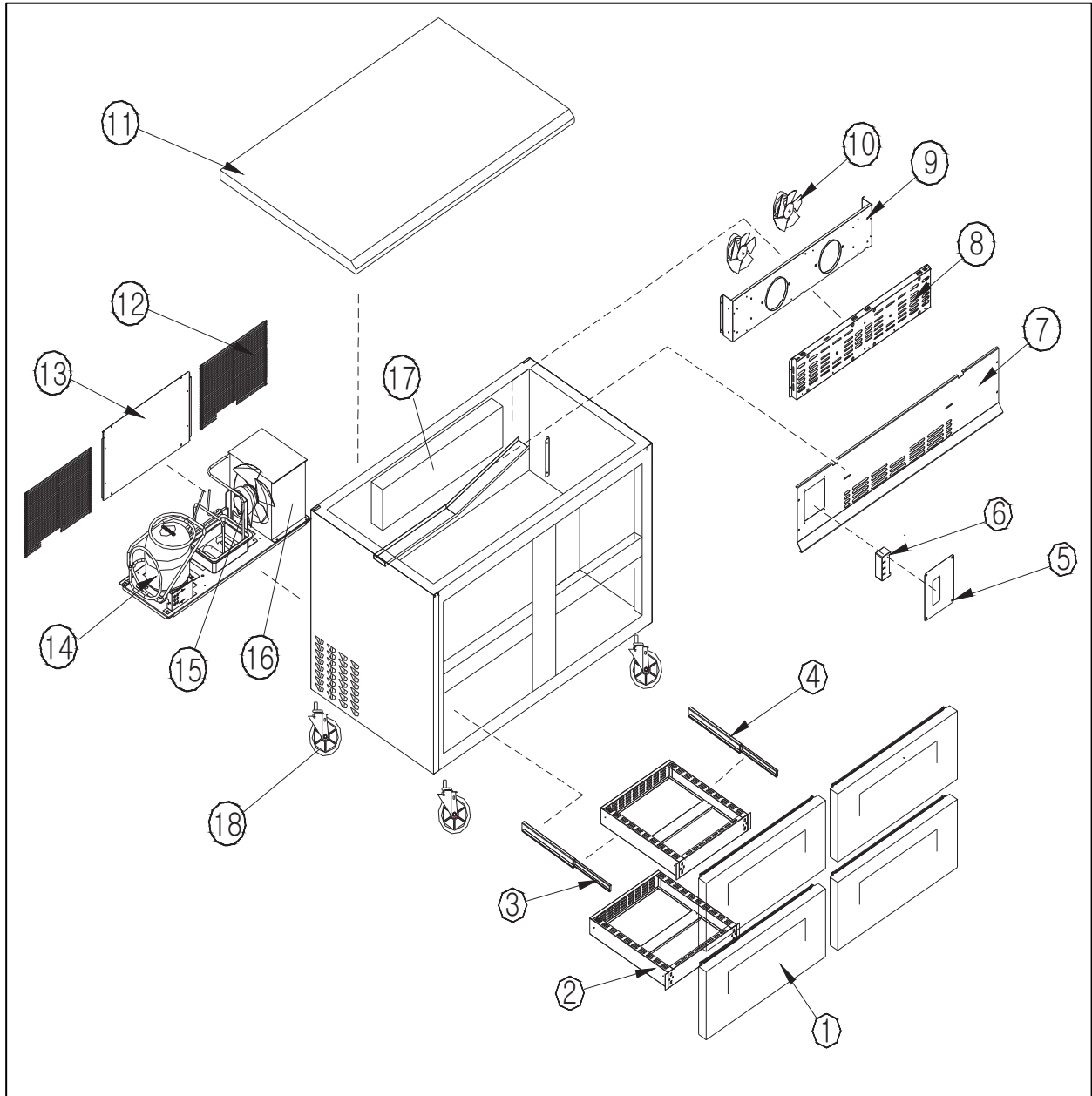
1-2. TUR-48SD-D2 EXPLODED VIEW



© Part Name

1	DRAWER DOOR ASSEMBLY	13	EVAPORATOR FAN MOTOR	25	
2	SWING DOOR ASSEMBLY	14	COUNTER TOP ASSEMBLY	26	
3	BOTTOM HINGE (R)	15	MECH COVER	27	
4	TOP HINGE (R)	16	UNIT COVER	28	
5	DRAWER ASSEMBLY	17	COMPRESSOR	29	
6	DRAWER GUIDE LF ASSEMBL	18	CONDENSER FAN MOTOR	30	
7	DRAWER GUIDE RH ASSEMB	19	CONDENSER	31	
8	THERMOSTAT PANEL	20	EVAPORATOR	32	
9	THERMOSTAT	21	SHELF STANDARD	33	
10	EVAPORATOR DUCT	22	CASTER	34	
11	LOUVER	23	SHELF	35	
12	EVAPORATOR FAN DUCT	24		36	

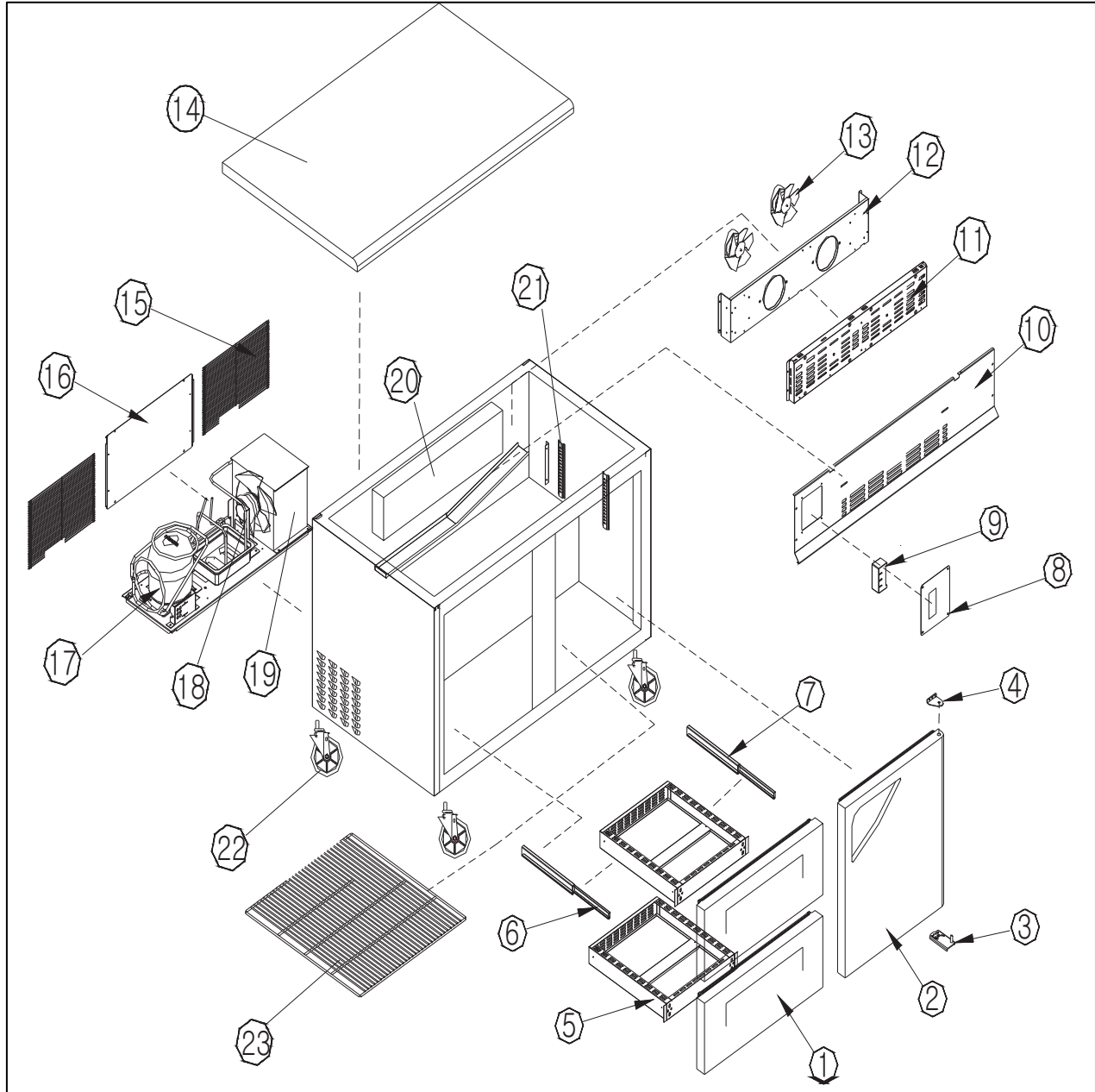
1-3. TUR-48SD-D4 EXPLODED VIEW



© Part Name

1	DRAWER DOOR ASSEMBLY	13	UNIT COVER	25	
2	DRAWER ASSEMBLY	14	COMPRESSOR	26	
3	DRAWER GUIDE LF ASSEMBL	15	CONDENSER FAN MOTOR	27	
4	DRAWER GUIDE RH ASSEMB	16	CONDENSER	28	
5	THERMOSTAT PANEL	17	EVAPORATOR	29	
6	THERMOSTAT	18	CASTER	30	
7	EVAPORATOR DUCT	19		31	
8	LOUVER	20		32	
9	EVAPORATOR FAN DUCT	21		33	
10	EVAPORATOR FAN MOTOR	22		34	
11	COUNTER TOP ASSEMBLY	23		35	
12	MECH COVER	24		36	

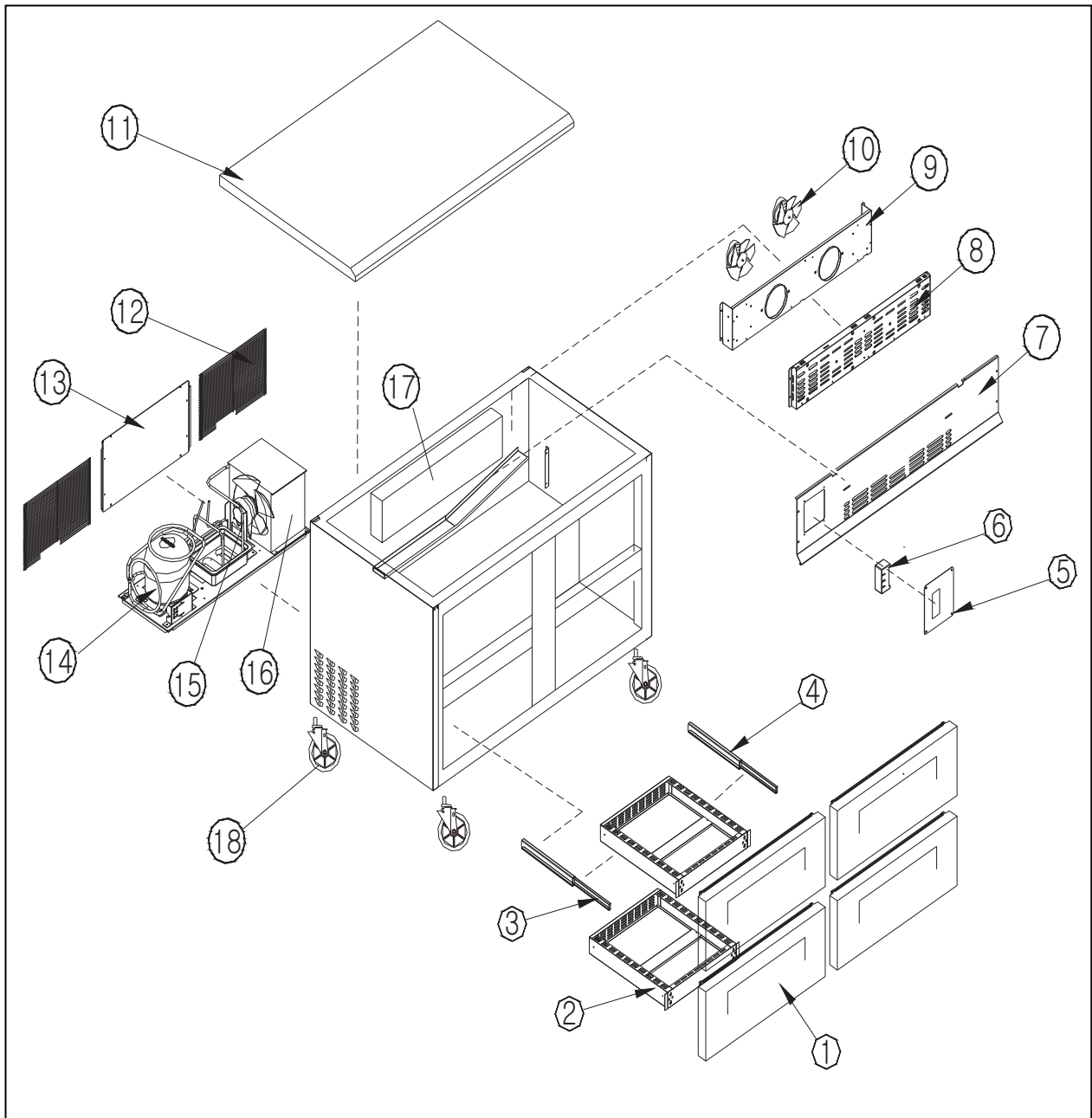
1-4. TUR-60SD-D2 EXPLODED VIEW



© Part Name

1	DRAWER DOOR ASSEMBLY	13	EVAPORATOR FAN MOTOR	25	
2	SWING DOOR ASSEMBLY	14	COUNTER TOP ASSEMBLY	26	
3	BOTTOM HINGE (R)	15	MECH COVER	27	
4	TOP HINGE (R)	16	UNIT COVER	28	
5	DRAWER ASSEMBLY	17	COMPRESSOR	29	
6	DRAWER GUIDE LF ASSEMBL	18	CONDENSER FAN MOTOR	30	
7	DRAWER GUIDE RH ASSEMB	19	CONDENSER	31	
8	THERMOSTAT PANEL	20	EVAPORATOR	32	
9	THERMOSTAT	21	SHELF STANDARD	33	
10	EVAPORATOR DUCT	22	CASTER	34	
11	LOUVER	23	SHELF	35	
12	EVAPORATOR FAN DUCT	24		36	

1-5. TUR-60SD-D4 EXPLODED VIEW



© Part Name

1	DRAWER DOOR ASSEMBLY	13	UNIT COVER	25	
2	DRAWER ASSEMBLY	14	COMPRESSOR	26	
3	DRAWER GUIDE LF ASSEMBL	15	CONDENSER FAN MOTOR	27	
4	DRAWER GUIDE RH ASSEMB	16	CONDENSER	28	
5	THERMOSTAT PANEL	17	EVAPORATOR	29	
6	THERMOSTAT	18	CASTER	30	
7	EVAPORATOR DUCT	19		31	
8	LOUVER	20		32	
9	EVAPORATOR FAN DUCT	21		33	
10	EVAPORATOR FAN MOTOR	22		34	
11	COUNTER TOP ASSEMBLY	23		35	
12	MECH COVER	24		36	

3.MAIN COMPONENTS

1.COMPRESSOR

MODEL	PART NAME	PART NO.	HORSE	CAPACITY	TYPE OF	INPUT	MAKER
28Series	HBL-27YE-1	M369700100	1/4HP	~	CSIR	110-115V 60Hz	DAEWOO
48Series	SK1A1C-L2W	M609700100	1/4HP	~	CSIR	115V 60Hz	SAMSUNG
60Series	SK1A1C-L2W	M609700100	1/3HP	~	CSIR	115V 60Hz	SAMSUNG

2.COMPRESSOR RELAY ,OVERLOAD

MODEL	RELAY	OVERLOAD	MAKER	NOTE
28Series	GSR SO68 E03 03	783RHBZZ-52	DAEWOO	~
48Series	J531Q34E220M3503	795TFBZZ-53	SAMSUNG	~
60Series	J531Q34E220M3503	795TFBZZ-53	SAMSUNG	~

3.COMPRESSOR CAPACITOR

MODEL	STARTING	PART NO.	RUNNING	PART NO.	MAKER	NOTE
28Series	200V/100uF	~	230V/10uF	~	~	~
48Series	125V/125uF	~	250V/12uF	~	~	~
60Series	125V/125uF	~	250V/12uF	~	~	~

4.CONDENSER FAN MOTOR

MODEL	PART NAME	PART NO.	POLE	INPUT	TYPE	BLADE	MAKER
28Series	IS-4420DWSN-2A	3963328120	4P	15V, 60Hz	SHADED POLE INDUCTION	AL 5	SUNGSHIN
48Series	IS-4420DWSN-2A	3963328120					
60Series	IS-4420DWSN-2A	3963328120					

5.EVAPORATOR FAN MOTOR

MODEL	PART NAME	PART NO.	POLE	INPUT	TYPE	BLADE (NUMBER)	NO
28Series	DAI-6202DEUA	M729900200	2P	115V,60Hz	SHADED POLE INDUCTION	ZYTEL 4	SUNGSHIN
48Series	DAI-6202DEUA						
60Series	DAI-6202DEUA						

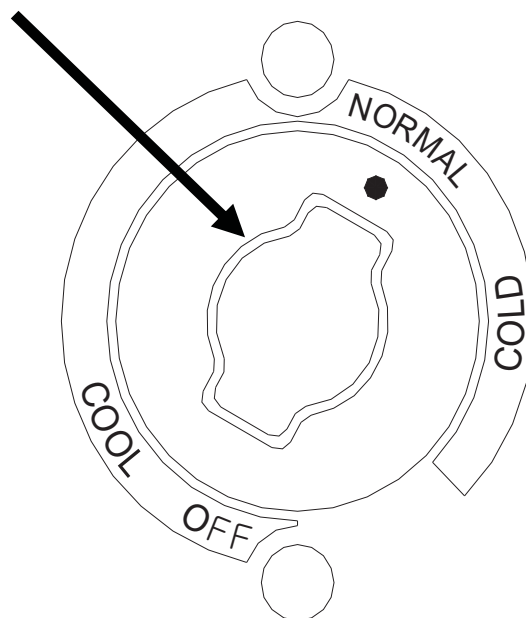
6.THERMOSTAT

PART NAME	PART NO.	RATING	MAKER
THERMOSTAT	30283L0100	K55Q-5607,16A	RANCO

4.TEMPERATURE CONTROL INSTRUCTION

- Temperature can be controlled by the user.
- Factory setting is at "NORMAL" Settings can be changed by Dial Knob.

⊙ Indicates temperature level setting.



TEMPERATURE
CONTROLLER

- If thermostat knob is pointing at OFF, compressor and condenser fan motor would not run.
- Keep unit unplugged, if not in use for a long period of time.

5. PARTS LIST

Part Name	Part Code	Description	Model					Remark
			28-D2	48-D2	48-D4	60-D2	60-D4	
1. DOOR								
ASS'Y DOOR	DS2AF00100	DRAWER	2					
ASS'Y DOOR	DS4AF00100	DRAWER		2	4			
ASS'Y DOOR	DS6AF00100	DRAWER				2	4	
ASS'Y DOOR (L)	M600001000	SWING				1		
ASS'Y DOOR (L)	M720001100	SWING		1				
DOOR BUSHING	M720700100	PA-66	2	4	4	4	6	
DOOR GASKET	M602300101	PVC				1		
DOOR GASKET	M722300101	PVC		1				
DOOR GASKET	DS23300100	PVC	2					
DOOR GASKET	DS43300100	PVC		2	4			
DOOR GASKET	DS63300100	PVC				2	4	
TOP HINGE (R)	M722900100	SUS		1		1		
BOTTOM HINGE (U)(R)	30229M0400	SUS		1		1		
SPRING BAR	30251M0103			1		1		

2. COUNTER TOP

COUNTER TOP ASSEMBLY	U279500100		1					
COUNTER TOP ASSEMBLY	U489500100			1	1			
COUNTER TOP ASSEMBLY	U609500100					1	1	



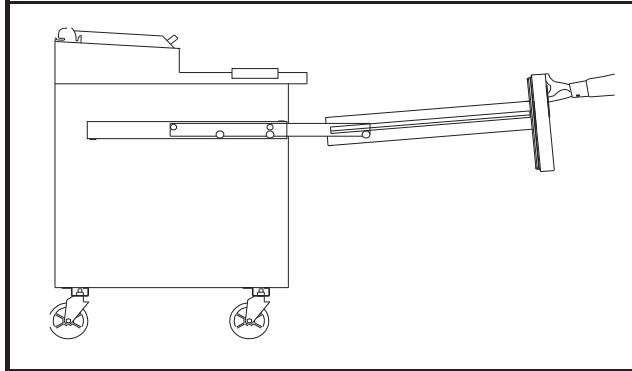
3. COMPRESSOR COMPARTMENT

COMPRESSOR	M369700100	HBL-27YE-1 (1/4HP)	1					
COMPRESSOR	M609700100	SK1A1C-L2W (1/3HP)		1	1	1	1	
CONDENSER FAN MOTOR	3963328120	IS-4420DWSN-2A	1	1	1	1	1	
DRAIN PAN	30211A0200	PP	1					
DRAIN PAN	M729300100	PP		1	1	1	1	
POWER CORD	M721300100		1	1	1	1	1	
CONDENSER FAN BLADE	M729800100	AL	1	1	1	1	2	
CONDENSER	M365900101	CU,SPG,AL	1					
CONDENSER	M605900101	CU,SPG,AL		1	1			
CONDENSER	M725900101	CU,SPG,AL				1	1	
DRAIN PIPE	M484400101	CU		1	1			
DRAIN PIPE	M724400800	CU				1	1	

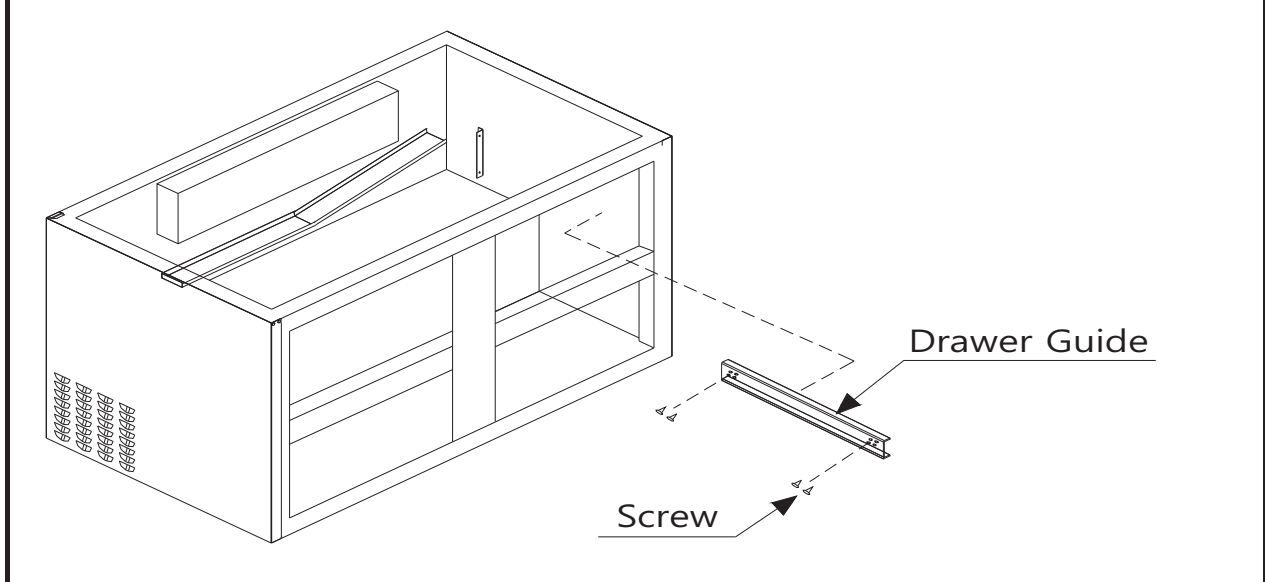
Part Name	Part Code	Description	Model					Remark
			28-D2	48-D2	48-D4	60-D2	60-D4	
4. REFRIGERATION COMPARTMENT								
LOUVER	M275800100	SUS	1					
LOUVER	M485800100	SUS		1	1			
LOUVER	M605800100	SUS				1	1	
SHELF	M607800100	SUS				1		
SHELF	M727800100	SUS		1				
FIXTURE SHELF CLIP	30220L0900	PA-66		4		4		
SHELF STANDARD	M725300200	SUS		4		4		
EVAPORATOR AS	M367000100	CU,SPG,AL	1					
EVAPORATOR AS	M487000200	CU,SPG,AL		1	1	1	1	
THERMOSTAT	30283L0100	250V,16A K55Q -5607	1	1	1	1	1	
EVAPOVATOR FAN DUCT	M276900200	SUS	1					
EVAPOVATOR FAN DUCT	M486900200	SUS		1	1			
EVAPOVATOR FAN DUCT	M606900200	SUS				1	1	
EVAPOVATOR DUCT	M276900300	SUS	1					
EVAPOVATOR DUCT	M486900300	SUS		1	1			
EVAPOVATOR DUCT	M606900300	SUS				1	1	
MULLION FRAME	M722200400	PVC		1		1		
MULLION BACK FRAME	M722200200	SUS304-2B		1		1		
MULLION FRAME INSULATIO	M723300100	F-PS		1		1		
DRAWER GUIDE ASSEMBLY (DS62700100	SUS	2	2	4	2	4	
DRAWER GUIDE ASSEMBLY (DS62700200	SUS	2	2	4	2	4	
CASTER	M726500100	5' MOVING	2	2	2	2	2	
CASTER	M726500200	5' MOVING STOPPING	2	2	2	2	2	
BRACKET MOTOR	30220T0300	SUS	2	2	2	2	2	
FAN COOLING BLADE	3011802210	ZYTEL	2	2	2	2	2	
EVAP FAN MOTOR	CM25000100	IS-3220QTBD	2	2	2	2	2	

6. REPLACEMENT OF MAIN COMPONENTS

6-1. REPLACING DOOR

A. Unscrew the top hinge	B. Lift the door
	
A. Fully extend the drawer out toward you as pictured. After full extension, lift the drawer up and pull towards you. This will disengage the rollers from the roller guide.	
	

6-2. REPLACING DRAWER GUIDE

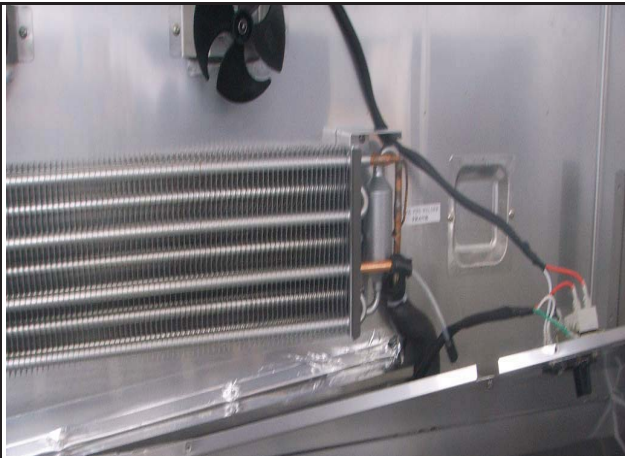
A. Remove the drawer guide by removing screws in the front and back.


6-3. REFRIGERATION COMPARTMENT PARTS

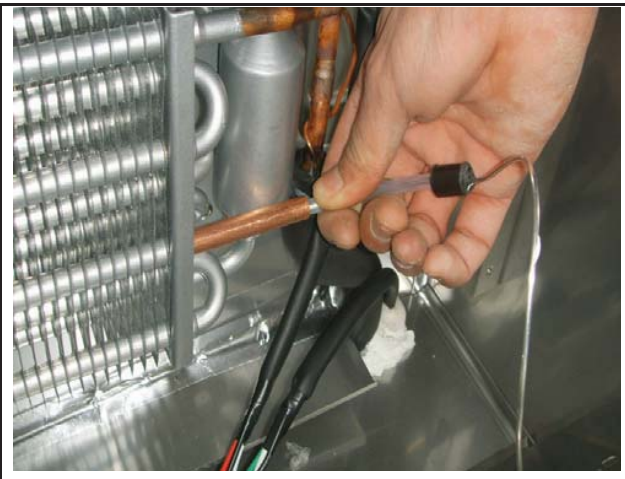
A. Disassemble the evaporator fan duct assembly



B. Disassemble the evaporator duct



C. Remove the temperature & sensor



6-3. COMPRESSOR COMPARTMENT PARTS

A. Disassembly the rear grill



B. Disassembly the condensing unit



6-4. REPLACING THE EVAPORATOR & EVAPORATOR FAN MOTOR

A. Remove the evaporator coil



B. Remove the evaporator fan motor

