

REFRIGERATOR MANUFACTURER  
**Turbo air**

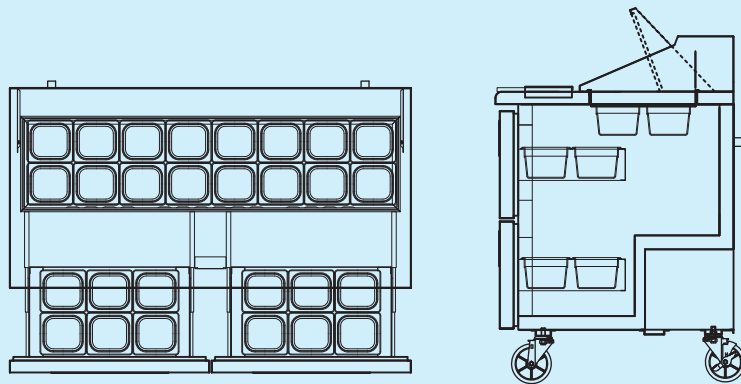
*Turbo Air Speed up the Pace of Innovation*

**CAUTION!**  
PLEASE KEEP POWER  
SWITCH ON BEFORE  
OPERATING THIS EQUIPMENT

# Commercial Sandwich / Salad Table Service Manual

Please read this manual completely before attempting to install or operate this equipment!

TST-28SD-D2  
TST-48SD-D2  
TST-48SD-D4  
TST-60SD-D2  
TST-60SD-D4



## © TABLE OF CONTENTS

### 1. EXPLODED VIEW

1-1. TST-28SD-D2 EXPLODED VIEW

1-2. TST-48SD-D2 / TST-48SD-D4 EXPLODED VIEW

1-3. TST-60SD-D2 / TST-60SD-D4 EXPLODED VIEW

### 2. WIRING DIAGRAMS

2-1. TST-28SD-D2

2-2. TST-48SD-D2 / TST-48SD-D4 / TST-60SD-D2 / TST-60SD-D4

### 3. MAIN COMPONENTS

### 4. TEMPERATURE CONTROL INSTRUCTION

### 5. PARTS LIST

### 6. REPLACEMENT OF MAIN COMPONENTS

6-1. REPLACING SWING DOOR & DRAWER DOOR

6-2. REPLACING DRAWER GUIDE

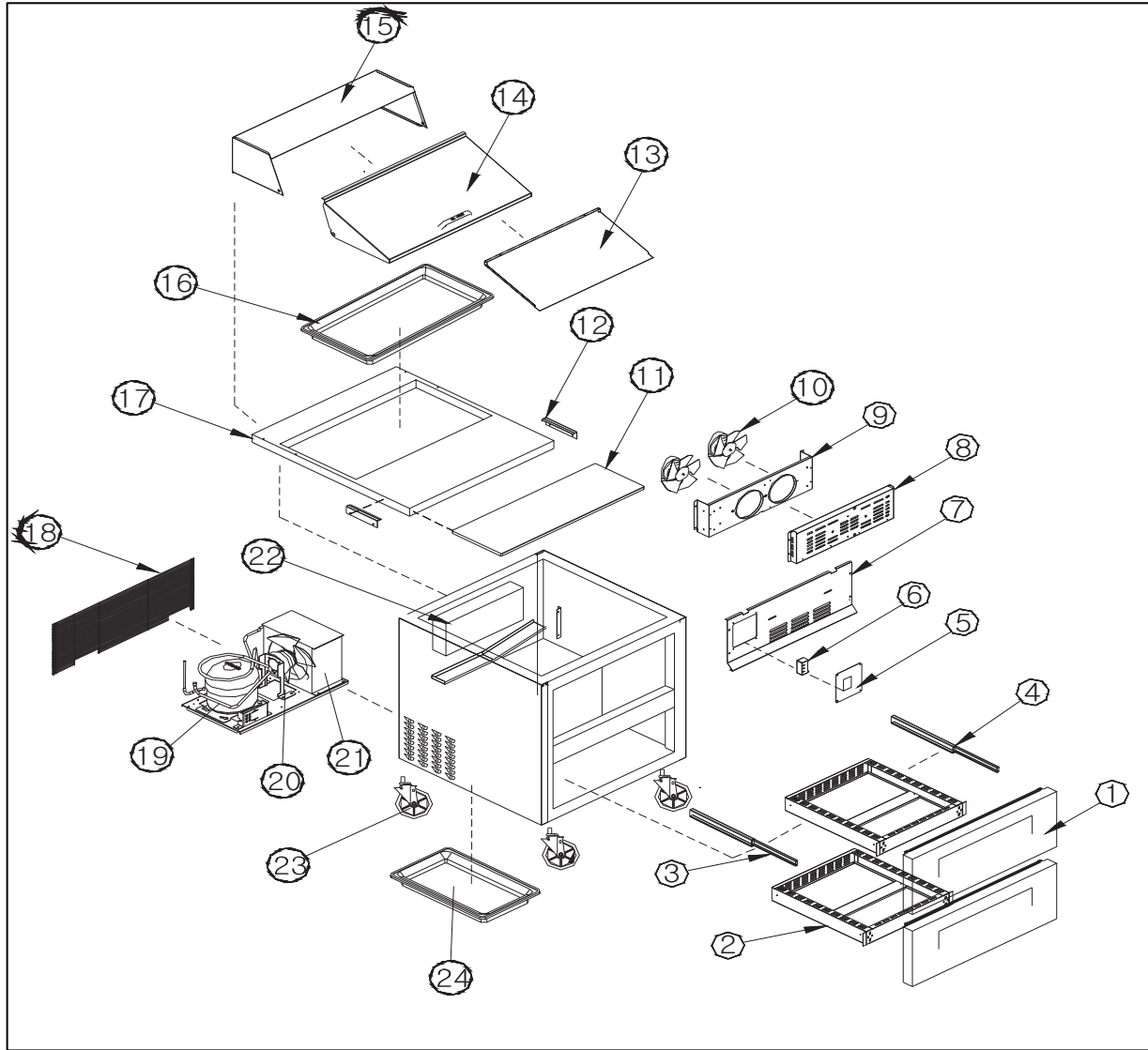
6-3. REFRIGERATION COMPARTMENT PARTS

6-4. COMPRESSOR COMPARTMENT PARTS

6-5. REPLACING THE EVAPORATOR & EVAPORATOR FAN MOTOR

# 1. EXPLODED VIEW

## 1-1. TST-28SD-D2 EXPLODED VIEW



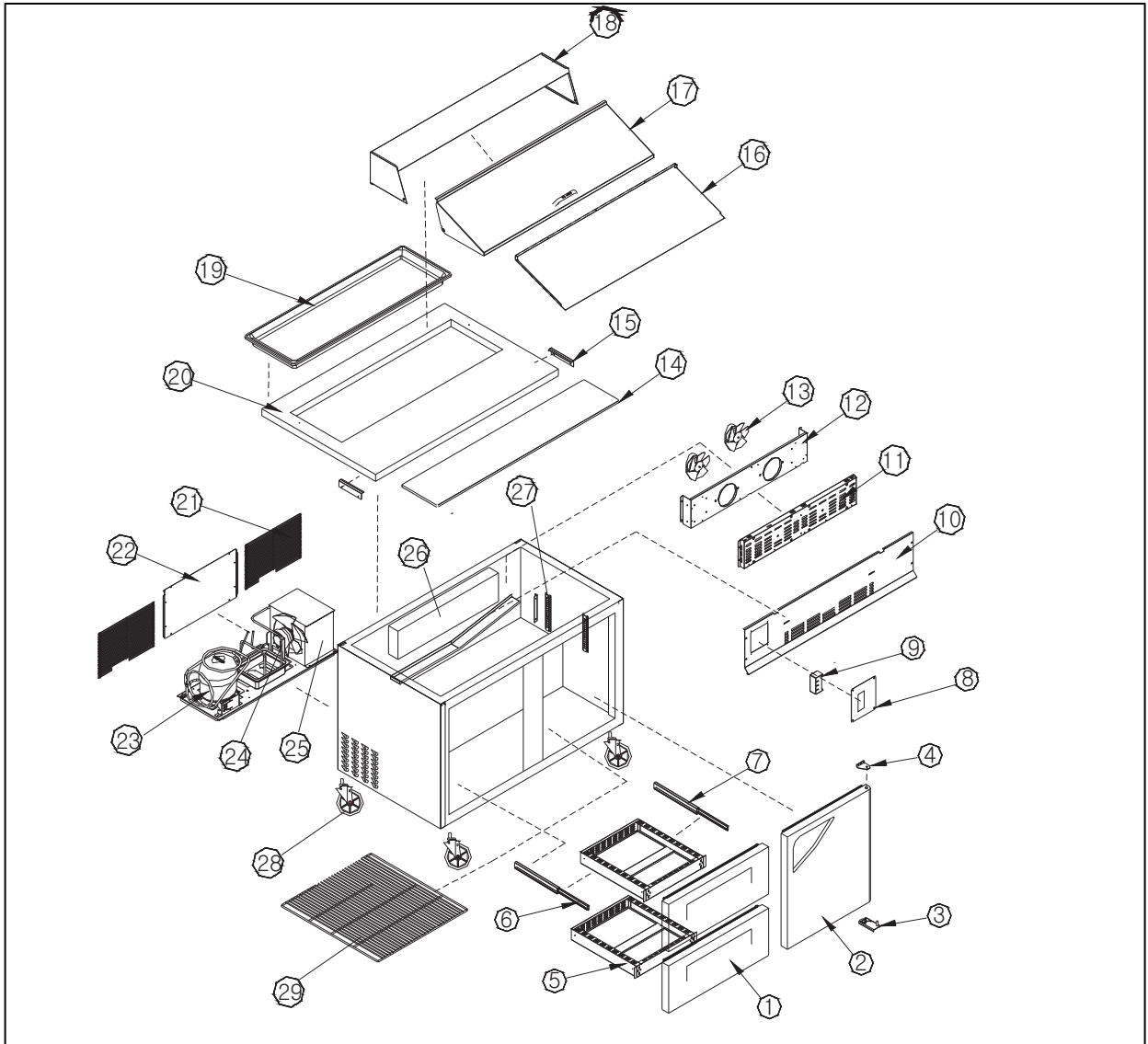
© Part Name

1	DRAWER DOOR ASSEMBLY	13	HOOD LID BACK COVER	25	
2	DRAWER ASSEMBLY	14	HOOD LID	26	
3	DRAWER GUIDE LF ASSEMBLY	15	HOOD	27	
4	DRAWER GUIDE RH ASSEMBLY	16	PAN SUPPORT ASSEMBLY	28	
5	THERMOSTAT PANEL	17	COUNTER TOP ASSEMBLY	29	
6	THERMOSTAT	18	MECH COVER	30	
7	EVAPORATOR DUCT	19	COMPRESSOR	31	
8	LOUVER	20	CONDENSER FAN MOTOR	32	
9	EVAPORATOR FAN DUCT	21	CONDENSER	33	
10	EVAPORATOR FAN MOTOR	22	EVAPORATOR	34	
11	BOARD KITCHEN	23	CASTER	35	
12	BRACKET BOARD KITCHEN	24	DRAIN PAN	36	





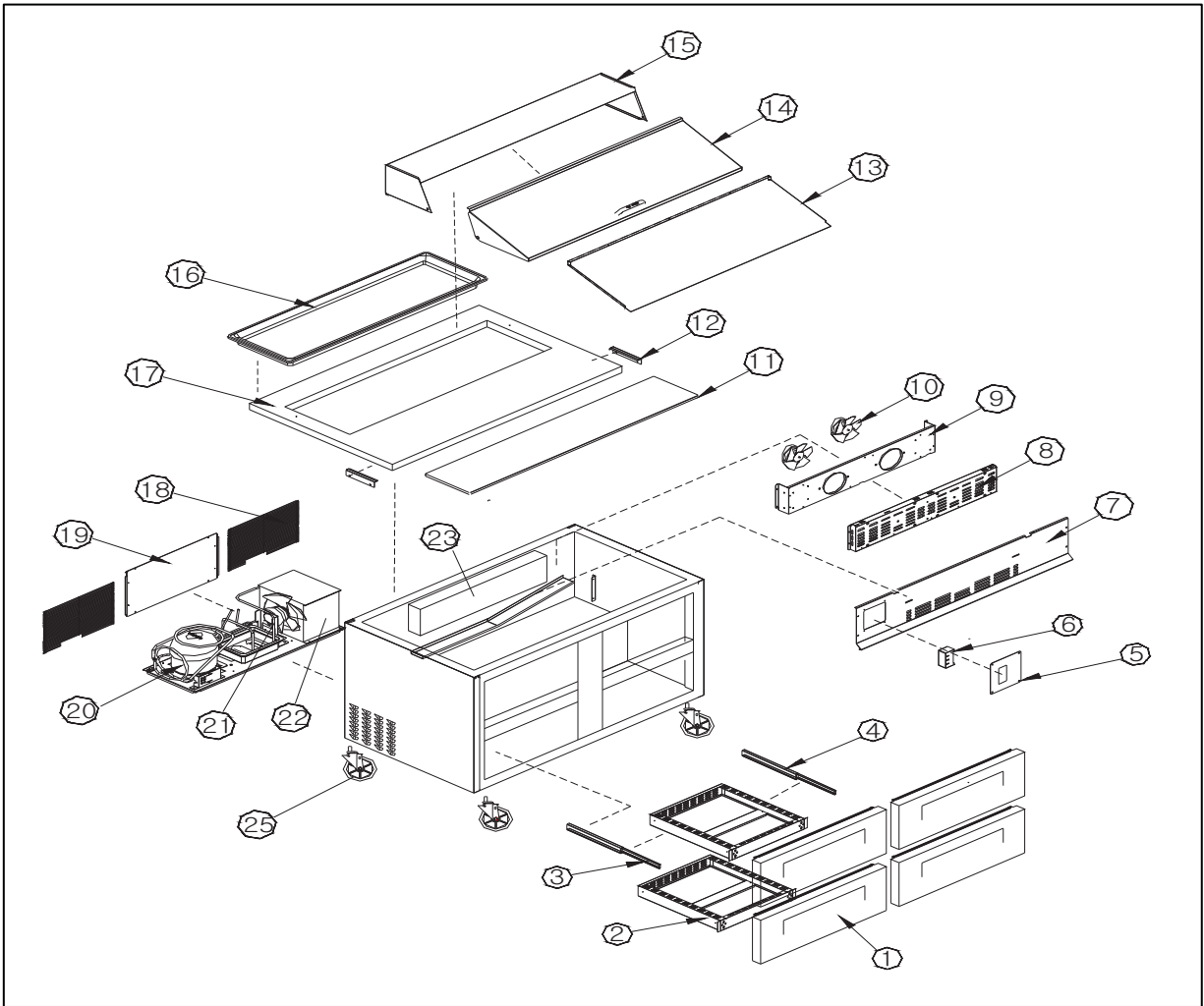
1-4. TST-60SD-D2 EXPLODED VIEW



◎ Part Name

1	DRAWER DOOR ASSEMBLY	13	EVAPORATOR FAN MOTOR	25	CONDENSER
2	SWING DOOR ASSEMBLY	14	BOARD KITCHEN	26	EVAPORATOR
3	BOTTOM HINGE (R)	15	BRACKET BOARD KITCHEN	27	SHELF STANDARD
4	TOP HINGE (R)	16	HOOD LID BACK COVER	28	CASTER
5	DRAWER ASSEMBLY	17	HOOD LID	29	SHELF
6	DRAWER GUIDE LF ASSEMBL	18	HOOD	30	
7	DRAWER GUIDE RH ASSEMB	19	PAN SUPPORT ASSEMBLY	31	
8	THERMOSTAT PANEL	20	COUNTER TOP ASSEMBLY	32	
9	THERMOSTAT	21	MECH COVER	33	
10	EVAPORATOR DUCT	22	UNIT COVER	34	
11	LOUVER	23	COMPRESSOR	35	
12	EVAPORATOR FAN DUCT	24	CONDENSER FAN MOTOR	36	

1-5. TST-60SD-D4 EXPLODED VIEW

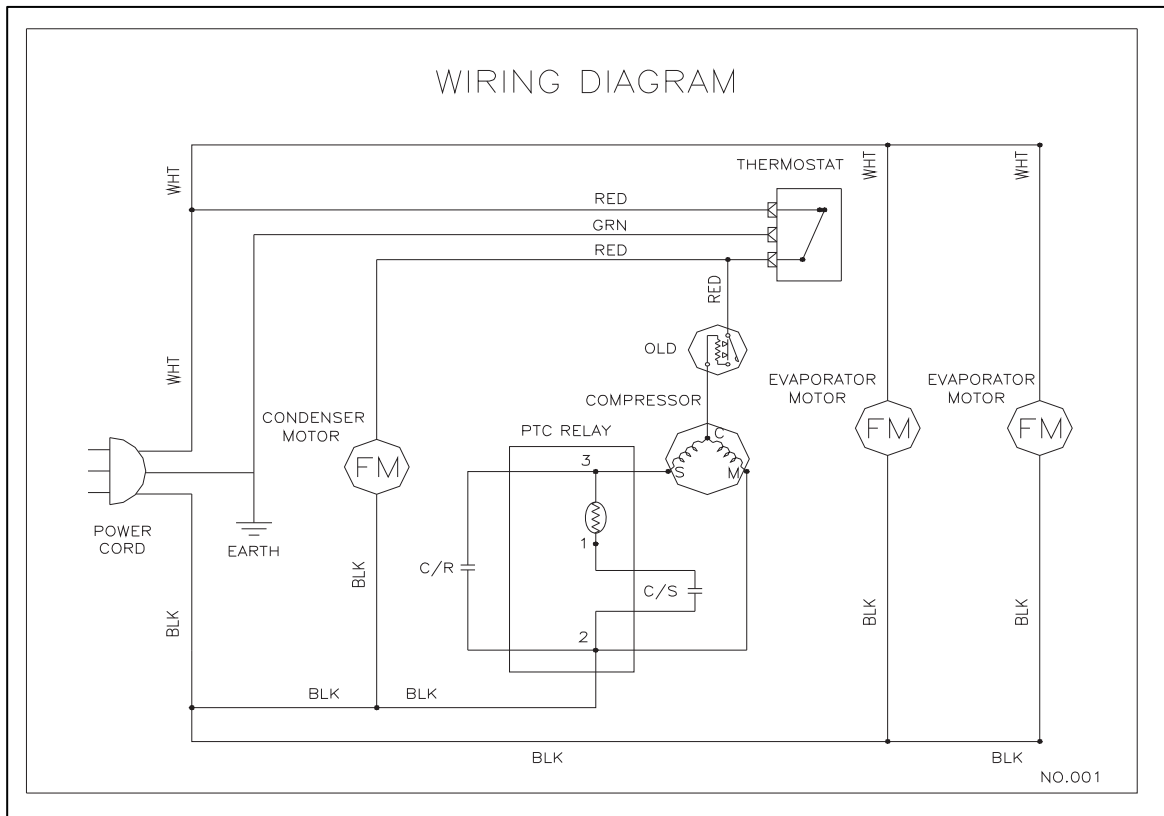


© Part Name

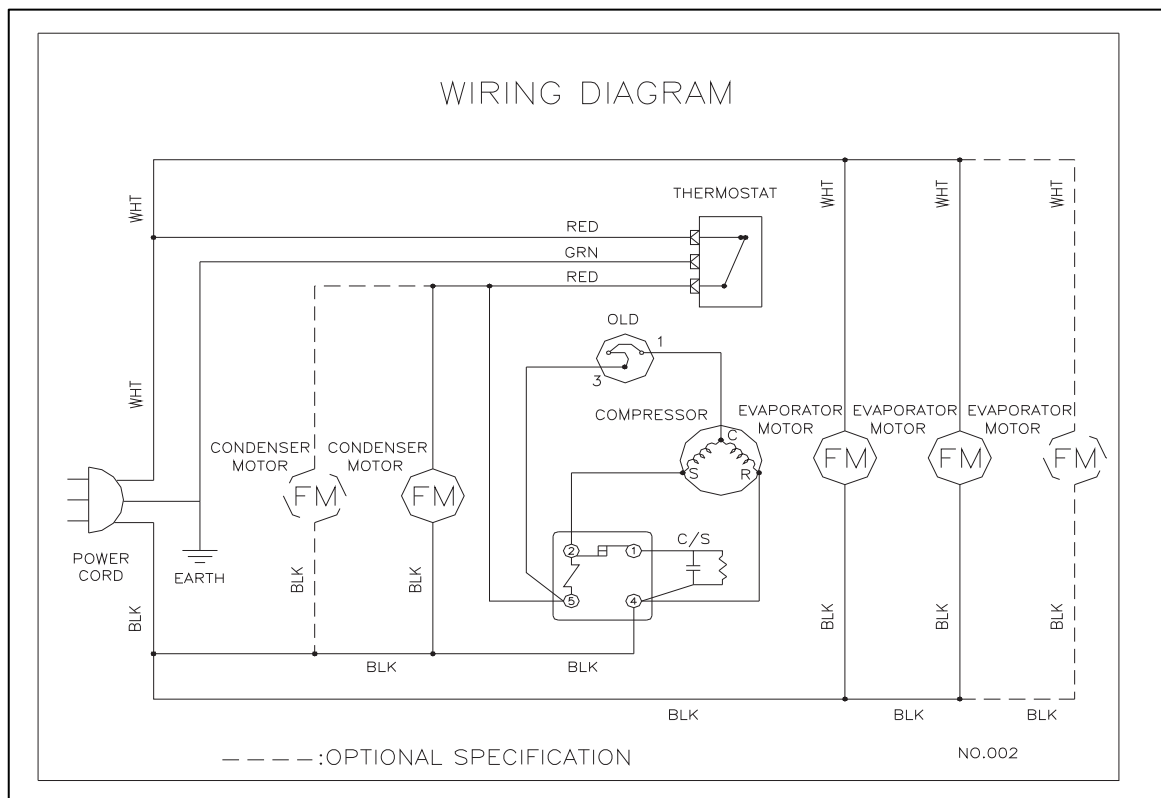
1	DRAWER DOOR ASSEMBLY	13	HOOD LID BACK COVER	25	
2	DRAWER ASSEMBLY	14	HOOD LID	26	
3	DRAWER GUIDE LF ASSEMBL	15	HOOD	27	
4	DRAWER GUIDE RH ASSEMB	16	PAN SUPPORT ASSEMBLY	28	
5	THERMOSTAT PANEL	17	COUNTER TOP ASSEMBLY	29	
6	THERMOSTAT	18	MECH COVER	30	
7	EVAPORATOR DUCT	19	UNIT COVER	31	
8	LOUVER	20	COMPRESSOR	32	
9	EVAPORATOR FAN DUCT	21	CONDENSER FAN MOTOR	33	
10	EVAPORATOR FAN MOTOR	22	CONDENSER	34	
11	BOARD KITCHEN	23	EVAPORATOR	35	
12	BRACKET BOARD KITCHEN	24	CASTER	36	

## 2. WIRING DIAGRAMS

### 2-1. TST-28SD-D2



### 2-2. TST-48SD-D2 / TST-48SD-D4 / TST-60SD-D2 / TST-60SD-D4



### 3.MAIN COMPONENTS

#### 1.COMPRESSOR

MODEL	PART NAME	PART NO.	HORSE	CAPACITY	TYPE OF	INPUT	MAKER
28Series	HBL-27YE-1	M369700100	1/4HP	~	CSIR	115V 60Hz	DAEWOO
48Series	SK1A1C-L2W	M609700100	1/3HP	~	CSIR	115V 60Hz	SAMSUNG
60Series	CAE4456Y	M729700100	1/2HP	~	CSIR	115V 60Hz	TECUMSHE

#### 2.COMPRESSOR RELAY ,OVERLOAD

MODEL	RELAY	OVERLOAD	MAKER	NOTE
28Series	GSR SO68 E03 03	783RHBZZ-52	DAEWOO	~
48Series	J531Q34E220M3503	795TFBZZ-53	SAMSUNG	~
60Series	3ARR12	MST16AGZ-3240D5AP	TECUMSHE	~

#### 3.COMPRESSOR CAPACITOR

MODEL	STARTING	PART NO.	RUNNING	PART NO.	MAKER	NOTE
28Series	200V/100uF	~	230V/10uF	~	~	~
48Series	125V/125uF	~	250V/12uF	~	~	~
60Series	160V/315uF	~	~	~	~	~

#### 4.CONDENSER FAN MOTOR

MODEL	PART NAME	PART NO.	POLE	INPUT	TYPE	BLADE	MAKER
28Series	IS-4420DWSN-2A	3963328120	4P	115V 60Hz	SHADED POLE INDUCTION	AL 5	SUNGSHIN
48Series	IS-4420DWSN-2A	3963328120					
60Series	IS-4420DWSN-2A	3963328120					

#### 5.EVAPORATOR FAN MOTOR

MODEL	PART NAME	PART NO.	POLE	INPUT	TYPE	BLADE (NUMBER)	NO
28Series	DAI-6202DEUA	M729900200	2P	115v60Hz	SHADED POLE INDUCTION	ZYTEL 4	SUNGSHIN
48Series	DAI-6202DEUA		2P	115v60Hz			
60Series	DAI-6202DEUA		2P	115v60Hz			

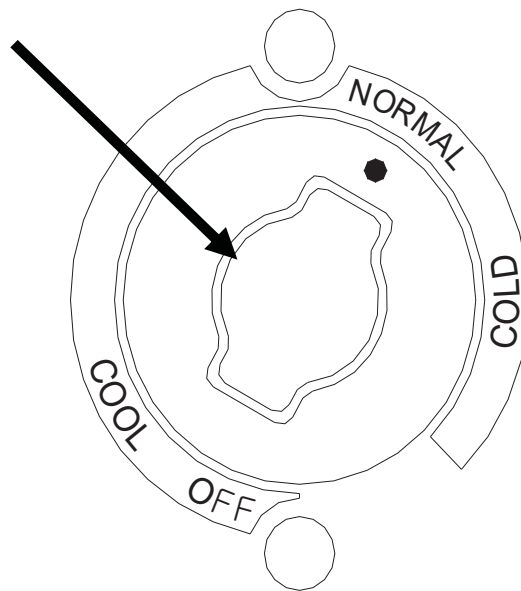
#### 6.THERMOSTAT

PART NAME	PART NO.	RATING	MAKER
THERMOSTAT	30283L0100	K55Q-5607,16A	RANCO

## 4.TEMPERATURE CONTROL INSTRUCTION

- Temperature can be controlled by the user.
- Factory setting is at "NORMAL" Settings can be changed by Dial Knob.

⦿ Indicates temperature level setting.



TEMPERATURE  
CONTROLLER

- If thermostat knob is pointing at OFF, compressor and condenser fan motor would not run.
- Keep unit unplugged, if not in use for a long period of time.

## 5. PARTS LIST

Part Name	Part Code	Description	Model					Remark
			28-D2	48-D2	48-D4	60-D2	60-D4	
1. DOOR								
ASS'Y DOOR	DS2AF00100	DRAWER	2					
ASS'Y DOOR	DS4AF00100	DRAWER		2	4			
ASS'Y DOOR	DS6AF00100	DRAWER				2	4	
ASS'Y DOOR (L)	M600001000	SWING				1		
ASS'Y DOOR (L)	M720001100	SWING		1				
DOOR BUSHING	M720700100	PA-66	2	4	4	4	6	
DOOR GASKET	M602300101	PVC				1		
DOOR GASKET	M722300101	PVC		1				
DOOR GASKET	DS23300100	PVC	2					
DOOR GASKET	DS43300100	PVC		2	4			
DOOR GASKET	DS63300100	PVC				2	4	
TOP HINGE ( R )	M722900100	SUS		1		1		
BOTTOM HINGE (U)(R)	30229M0400	SUS		1		1		
SPRING BAR	30251M0103			1		1		

## 2. COUNTER TOP

COUNTER TOP ASSEMBLY	S279500100		1					
COUNTER TOP ASSEMBLY	S489500100				1			
COUNTER TOP ASSEMBLY	S609500100					1		
HOOD ASSEMBLY	S270001100		1					
HOOD ASSEMBLY	S480001000			1	1			
HOOD ASSEMBLY	S600001200					1	1	
HOOD LID	S278900100	SUS	1					
HOOD LID	S488900300	SUS		1	1			
HOOD LID	S608900300	SUS				1	1	
PAN SUPPORT ASS'Y	S270001200	SUS	1					
PAN SUPPORT ASS'Y	S480001100	SUS		1	1			
PAN SUPPORT ASS'Y	S600001300	SUS				1	1	
KITCHEN BOARD	M279400100	MIPS	1					
KITCHEN BOARD	M489400100	MIPS		1	1			
KITCHEN BOARD	M609400100	MIPS				1	1	
HOOD SHAFT SPACER	M725000400	SUS	2	2	2	4	4	
HOOD HINGE	M724900100	SUS	2	2	2	4	4	
BRACKET BOARD KITCHEN(L)	M720601301	SUS	1	1	1	1	1	
BRACKET BOARD KITCHEN(R)	30206P1902	SUS	1	1	1	1	1	
PAN	30211M0100	PC	12	18	18	24	24	

### 3. COMPRESSOR COMPARTMENT

Part Name	Part Code	Description	Model					Remark
			28-D2	48-D2	48-D4	60-D2	60-D4	
COMPRESSOR	M369700100	HBL-27YE-1 (1/4HP)	1					
COMPRESSOR	M609700100	SK1A1C-L2W (1/3HP)		1	1			
COMPRESSOR	M729700100	CAE4456Y (1/2HP)				1	1	
DRAIN PIPE	M484400100	Φ8X0.8T		1	1			
DRAIN PIPE	M724400800	Φ8X0.8T				1	1	
CONDENSER FAN MOTOR	3963328120	IS-4420DWSN-2A	1	1	1	1	1	
DRAIN PAN	30211A0200	PP	1					
DRAIN PAN	M729300100	PP		1	1	1	1	
POWER CORD	M721300100		1	1	1	1	1	
CONDENSER FAN BLADE	M729800100	AL	1	1	1	1	2	
CONDENSER AS	M365900100	CU,SPG,AL	1					
CONDENSER AS	M605900100	CU,SPG,AL		1	1			
CONDENSER AS	M725900100	CU,SPG,AL				1	1	

### 4. REFRIGERATION COMPARTMENT

EVAP FAN MOTOR	M729900200	IS-3220QTBD	2	2	2	2	2	
LOUVER	M275800100	SUS	1					
LOUVER	M485800100	SUS		1	1			
LOUVER	M605800100	SUS				1	1	
EVAPORATOR AS	M367000100	CU,SPG,AL	1					
EVAPORATOR AS	M487000200	CU,SPG,AL		1	1			
EVAPORATOR AS	M607000100	CU,SPG,AL				1	1	
EVAPOVATOR DUCT	M276900300	SUS	1					
EVAPOVATOR DUCT	M486900300	SUS		1	1			
EVAPOVATOR DUCT	M606900300	SUS				1	1	
EVAPOVATOR FAN DUCT	M276900200	SUS	1					
EVAPOVATOR FAN DUCT	M486900200	SUS		1	1			
EVAPOVATOR FAN DUCT	M606900200	SUS				1	1	
THERMOSTAT	30283L0100	250V,16A K55Q -5607	1	1	1	1	1	
FAN COOLING BLADE	3011802210	ZYTEL	1	1	1	1	1	
SHELF	M277800100	SUS	1					
SHELF	M607800100	SUS				1		
SHELF	M727800100	SUS		1				
SHELF STANDARD	M725300200	SUS		4		4		
FIXTURE SHELF CLIP	30220L0900	PA-66		8		8		
MULLION FRAME	M722200400	PVC		1		1		
MULLION BACK FRAME	M722200200	SUS		1		1		
DRAWER GUIDE ASSEMBLY (	DS62700100	SUS	2	2	4	2	4	
DRAWER GUIDE ASSEMBLY (	DS62700200	SUS	2	2	4	2	4	
CASTER	M726500100	5' MOVING	2		2	2	2	
CASTER	M726500200	5' MOVING STOPPING	2		2	2	2	

## 6. REPLACEMENT OF MAIN COMPONENTS

### 6-1. REPLACING SWING DOOR & DRAWER DOOR

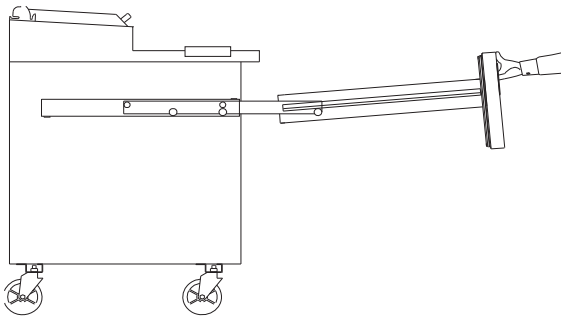
A. Unscrew the top hinge



B. Lift the door

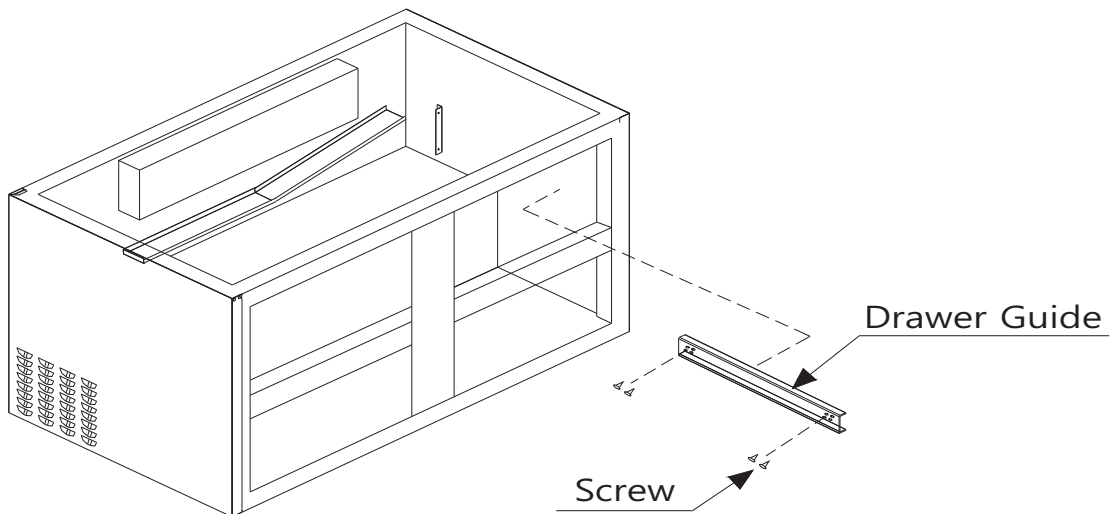


A. Fully extend the drawer out toward you as pictured. After full extension, lift the drawer up and pull towards you. This will disengage the rollers from the roller guide.



### 6-2. REPLACING DRAWER GUIDE

A. Remove the drawer guide by removing screws in the front and back.



### 6-3. REFRIGERATION COMPARTMENT PARTS

#### A. Disassemble the evaporator fan duct assembly



#### B. Disassemble the evaporator duct



#### C. Remove the temperature & sensor

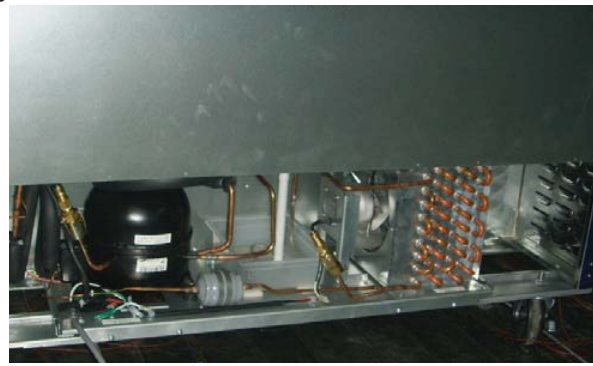


## 6-4. COMPRESSOR COMPARTMENT PARTS

A. Disassembly the rear grill



y



B. Disassembly the condensing unit



## 6-4. REPLACING THE EVAPORATOR & EVAPORATOR FAN MOTOR

A. Remove the evaporator coil



B. Remove the evaporator fan motor

