

REFRIGERATOR MANUFACTURER  
**Turbo air**

*Turbo Air Speed up the Pace of Innovation*

**CAUTION!**  
PLEASE KEEP POWER  
SWITCH ON BEFORE  
OPERATING THIS EQUIPMENT

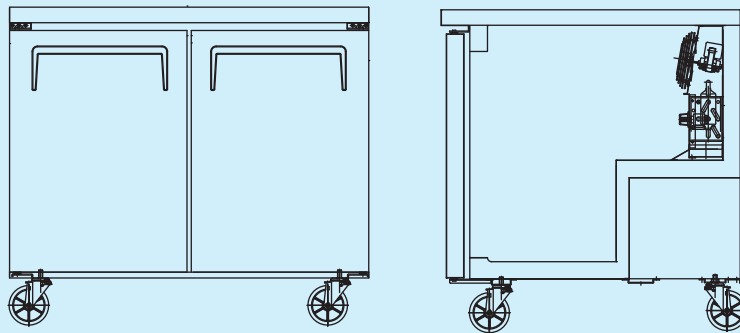
# Undercounter Refrigerator Low Boy Service Manual

Please read this manual completely before attempting to install or operate this equipment!

## ***Undercounter Refrigerator***

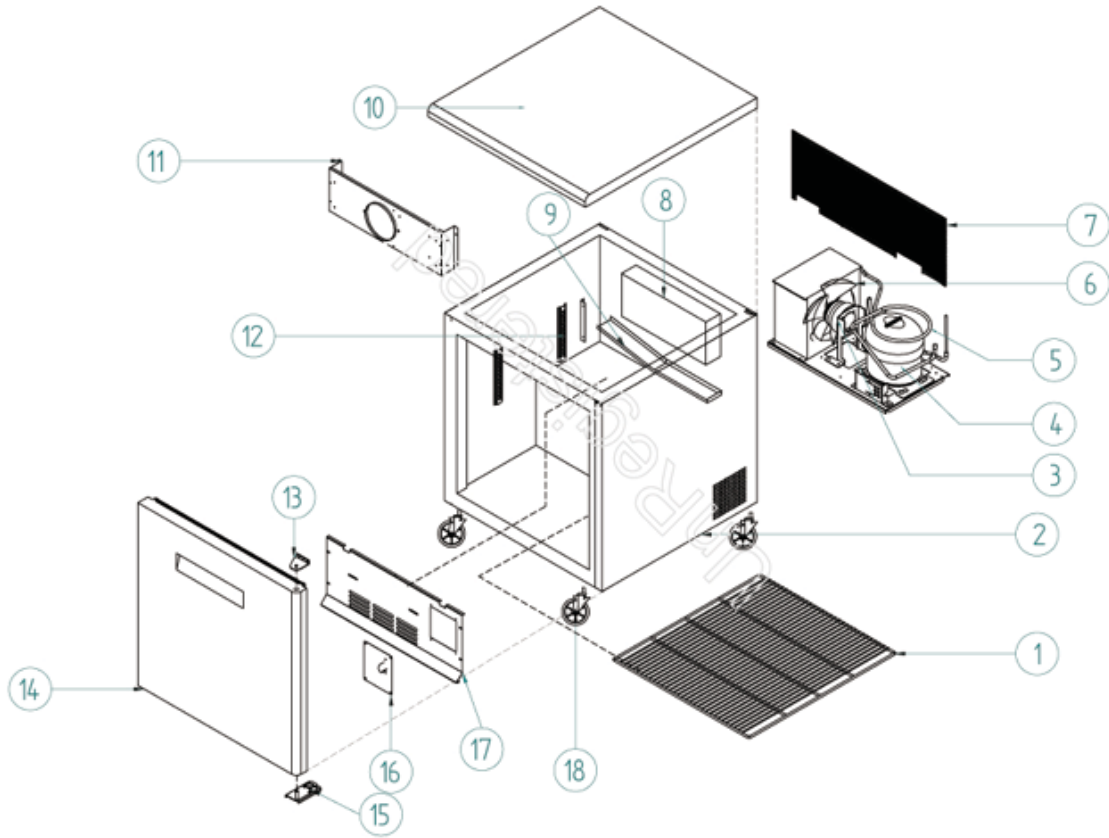
**MUR-28L**

**MUR-36L**



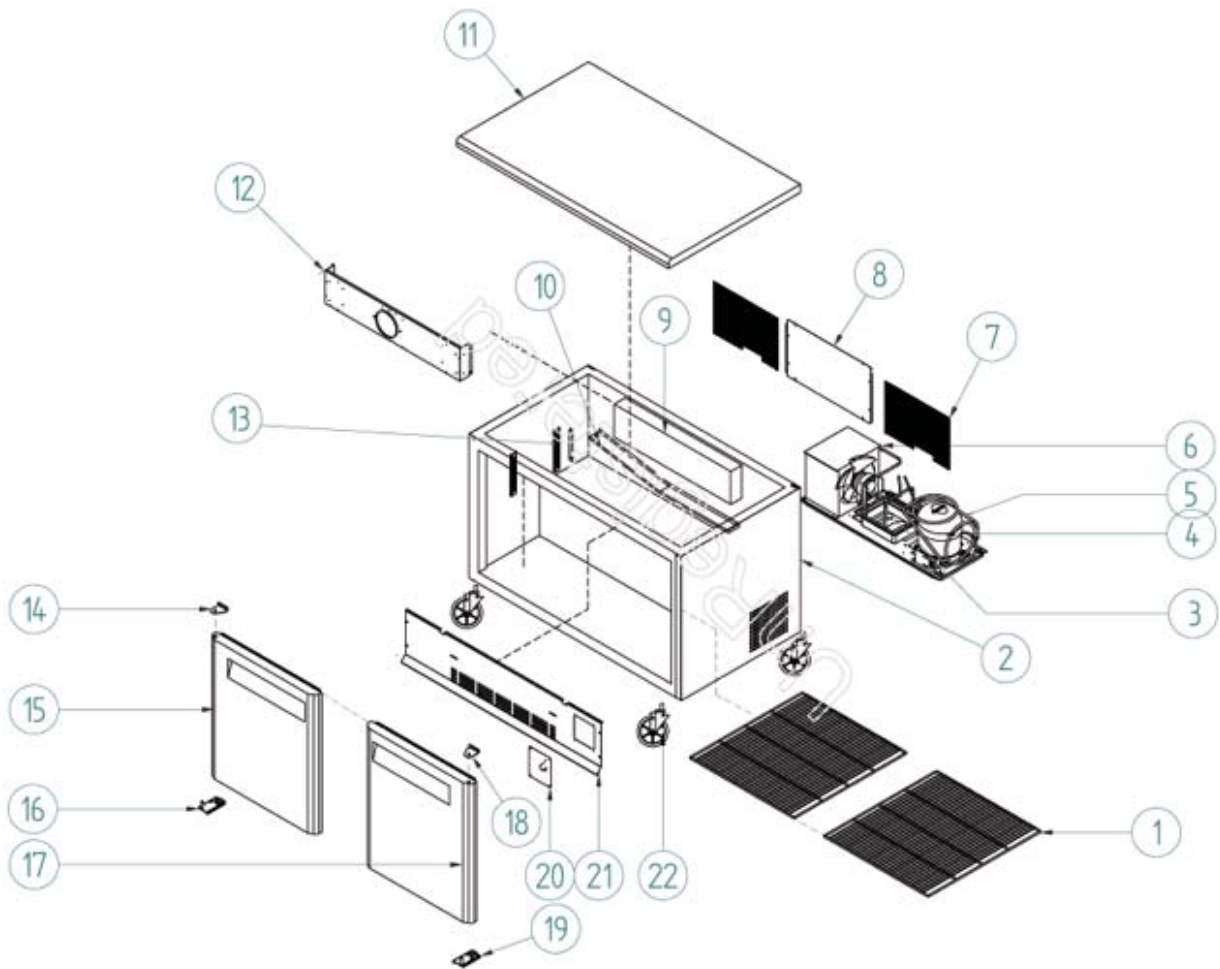
# MUR-28L/MUR-36L

## 1-1. MUR-28L Explode View



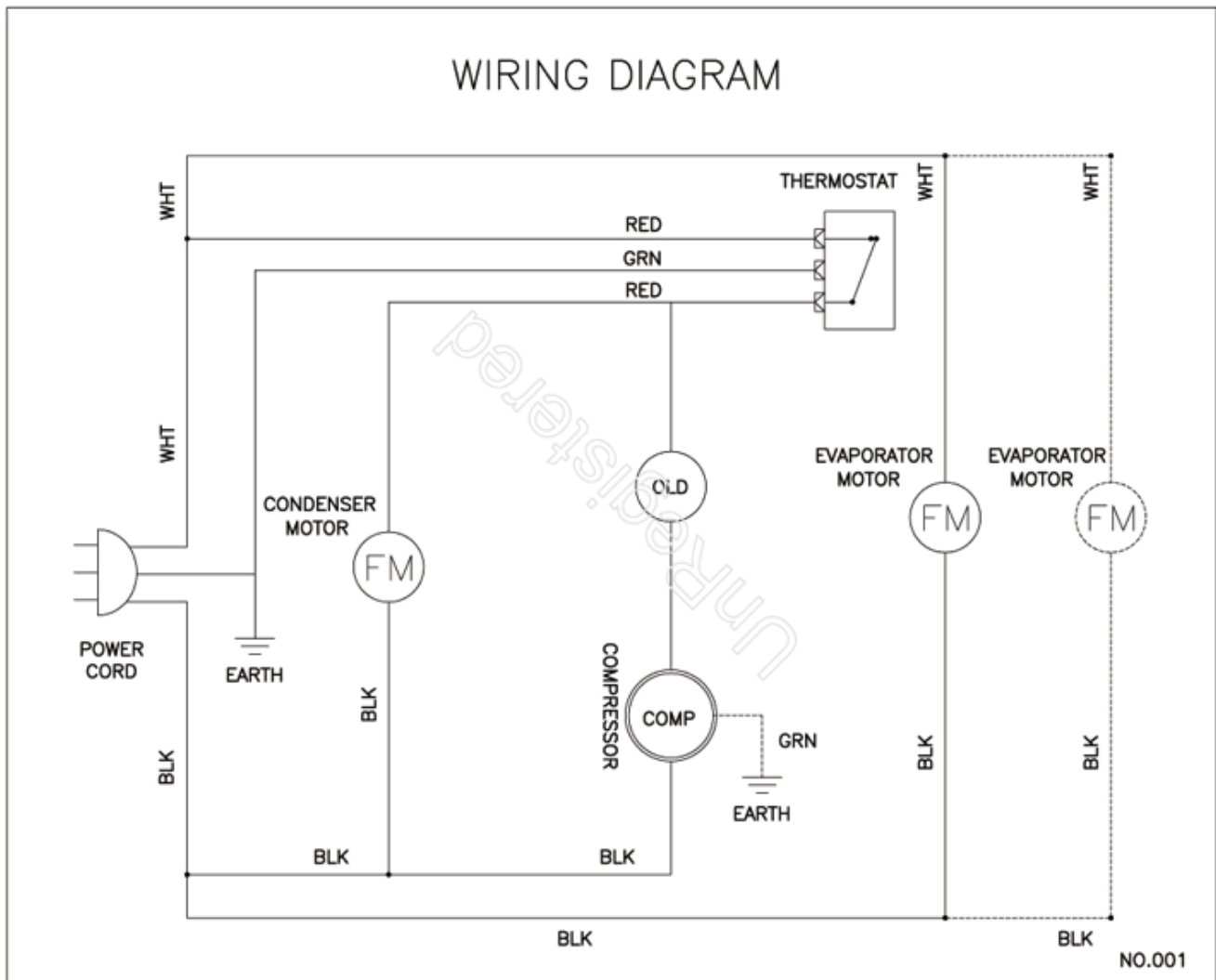
No	Part Cord	Part Name	No	Part Cord	Part Name
1	WM27800101	SHELF	12	M725300201	SHELF STARDAND
2	M279500200	CABINET ASSY	13	S2853A0302	TOP HINGE R
3	IS 4420DWSG-1	CONDENSER FAN MOTOR	14	ULB2000400	DOOR
4	HBL 27YE-1	COMPRESSOR	15	S2853A0500	BOTTOM HINGE UR
5	U484200201	SUCTION PIPE(B)	16	ULB1000500	TAMPERATURE CONTROL COVER
6	KF24900105	CONDENSER	17	ULB2800400	EVAP DUCT
7	M721401307	MECH COVER	18	K3F6500200 K3F6500400	CASTER 3"
8	ULB2A00100	EVAP ASSY	19		
9	U286310100	EVAP DRAIN GUIDE	20		
10	U279500100	COUNTER TOP ASSY	21		
11	ULB2800300	EVAP FAN DUCT			

## 1-2. MUR-36L Explode View



No	Part Cord	Part Name	No	Part Cord	Part Name
1	WM35800100	SHELF	12	ULB2800300	EVAP FAN DUCT
2	M369500200	CABINET ASSY	13	M725300201	SHELF STARDAND
3	IS 4420 DWSG -1	CONDENSER FAN MOTOR	14	M722900209	TOP HINGE L
4	HBL 27YE -1	COMPRESSOR	15	ULB3000200	DOOR
5	U354200102	SUCTION PIPE(B)	16	30229M0305	BOTTOM HING UL
6	KF 24900105	CONDENSER	17	ULB3000300	DOOR
7	M361401001	MECH COVER	18	M722900109	TOP HINGE R
8	M721401205	UNIT COVER	19	30229M0405	BOTTOM HINGE UR
9	ULB 2A00100	EVAP ASSY	20	ULB1000500	TAMPERATURE CONTROL COVER
10	U286310100	EVAP DRAIN GUIDE	21	ULB3600400	EVAP DUCT
11	WU36700100	COUNTER TOP ASSY	22	K3F6500200 K3F6 500400	CASTER 3"

## 2. Wiring Diagram (MUR-28L/MUR-36L)



### 3. MAIN COMPONENTS

#### 3-1.COMPRESSOR

MODEL	PART NAME	PART NO.	HP	TYPE OF	INPUT	REFRIGERANT
MUR-28L	HBL 27YE-1			RSCR	115V,60Hz	R-134a
MUR-36L	HBL 27YE-1			RSCR	115V,60Hz	R-134a

#### 3-2.CONDENSER FAN MOTOR

MODEL	PART NAME	PART NO.	POLE	INPUT	TYPE	BLADE	MAKER
MUR-28L	IS 4420DWSG-1		4P	115V,60Hz	SHADED POLE INDUCTION	AL3	
MUR-36L							

#### 3-3.EVAPORATOR FAN MOTOR

MODEL	PART NAME	PART NO.	POLE	INPUT	TYPE	BLADE	MAKER
MUR-28L MUR-36L	IS-27213QTBA		2P	115V,60Hz	SHADED POLE INDUCTION	PA-66 4	

#### 3-4. Filter Dryer

MODEL	PART NO.	REFRIFERANT	SPEC	NOTE
MUR-28L MUR-36L	BR84100101	R-134a	C-052-5	-

#### 3-5. THERMOSTAT

MODEL	PART NO.	SPEC	NOTE
MUR-28L	30283L0100	K55-Q5607	
MUR-36L	30283L0100	K55-Q5607	

## 4-1. Service Part List

Part Name	Part Code	Description	LOW BOY		Remark
			MUR-28L	MUR-36L	
COUNTER TOP ASSY	WU36700100			1	
COUNTER TOP ASSY	U279500100		1		
DOOR ASSY(L)	ULB3000200			1	
DOOR ASSY(R)	ULB3000300			1	
DOOR ASSY	ULB2000400		1		
DOOR GASKET	ULB3A00300	PVC		2	
DOOR GASKET	ULB2A00500	PVC	1		
DOOR BUSHING	M729200100	ABS	1	2	
DOOR BUSHING	M720700107	ABS	1	2	
SPRING BAR	ULB2810300			2	
SPRING BAR	ULB3610300		1		
BOTTOM HINGE (U)(L)	30229M0305	GI		1	
BOTTOM HINGE (U)(R)	30229M0405	GI		1	
BOTTOM HINGE (U)(L)(R)	S2853A0500		1		
TOP HINGE (L)	M722900209	SUS		1	
TOP HINGE (R)	M722900109	SUS		1	
TOP HINGE	S2853A0302		1		
COMPRESSOR		HBL 27YE-1	1	1	
EVA ASSY	ULB2A00100	CU	1	1	
FILTER DRYER	BR84100101	CU	1	1	
CONDENSER ASSY	KF24900105		1	1	
CONDENSER FAN MOTOR		IS 4420DWSG-1	1	1	4P
EVAP FAN MOTOR		IS-27213QTBA	1	1	2P
POWER CORD	M721300201		1	1	
EVA DRAIN GUIDE	U286310100	SUS	1	1	
EVAP DUCT	ULB2800400	SUS	1		
EVAP DUCT	ULB3600400	SUS		1	
EVAP FAN DUCT	ULB2800300	SUS	1		
EVAP FAN DUCT	ULB3600301	SUS		1	
SHELF STANDARD	M725300201	SUS	4	8	
FIXTURE SHELF CLIP	30220L0903	PA-66	4	8	
SHELF	WM35800100	Pe-Co		2	
SHELF	WM27800101	Pe-Co	1		
DRAIN PAN	30211A0202	P.P	1	1	
DRAIN HOSE	M723200100	PVC	1	1	
SUCTION PIPE(A)	M274400303	CU	1		
SUCTION PIPE(A)	M364400300	CU		1	
SUCTION PIPE(B)	U484400201	CU	1		
SUCTION PIPE(B)	U354200102	CU		1	

#### 4-2. Capillary Tube Spec

Model	Suction Pipe A		Suction Pipe B	
	Tube I.D	Length F	Tube I.D	Length F
<b>MUR-28L</b>	Φ2.4XΦ1.2	541mm	Φ2.4XΦ1.2	959 mm
<b>MUR-36L</b>	Φ2.4XΦ1.2	675mm	Φ2.4XΦ1.2	1125 mm

#### 4-3. The cycle pressure of model starting (refrigerant weight)

MODEL	COMP model	refrigerant		High pressure(Psi)	Low pressure(Psi)	Memo
		refrigerant	Refrigerant charge			
<b>MUR-28L</b>	HBL 27YE-1	R134a	250gr			
<b>MUR-36L</b>	HBL 27YE-1	R134a	260gr			