



Quality Refrigeration

# CATALOG OF REPLACEMENT PARTS



Traulsen's quick chillers are solely intended for quick chilling, and not for use as a holding cabinet.

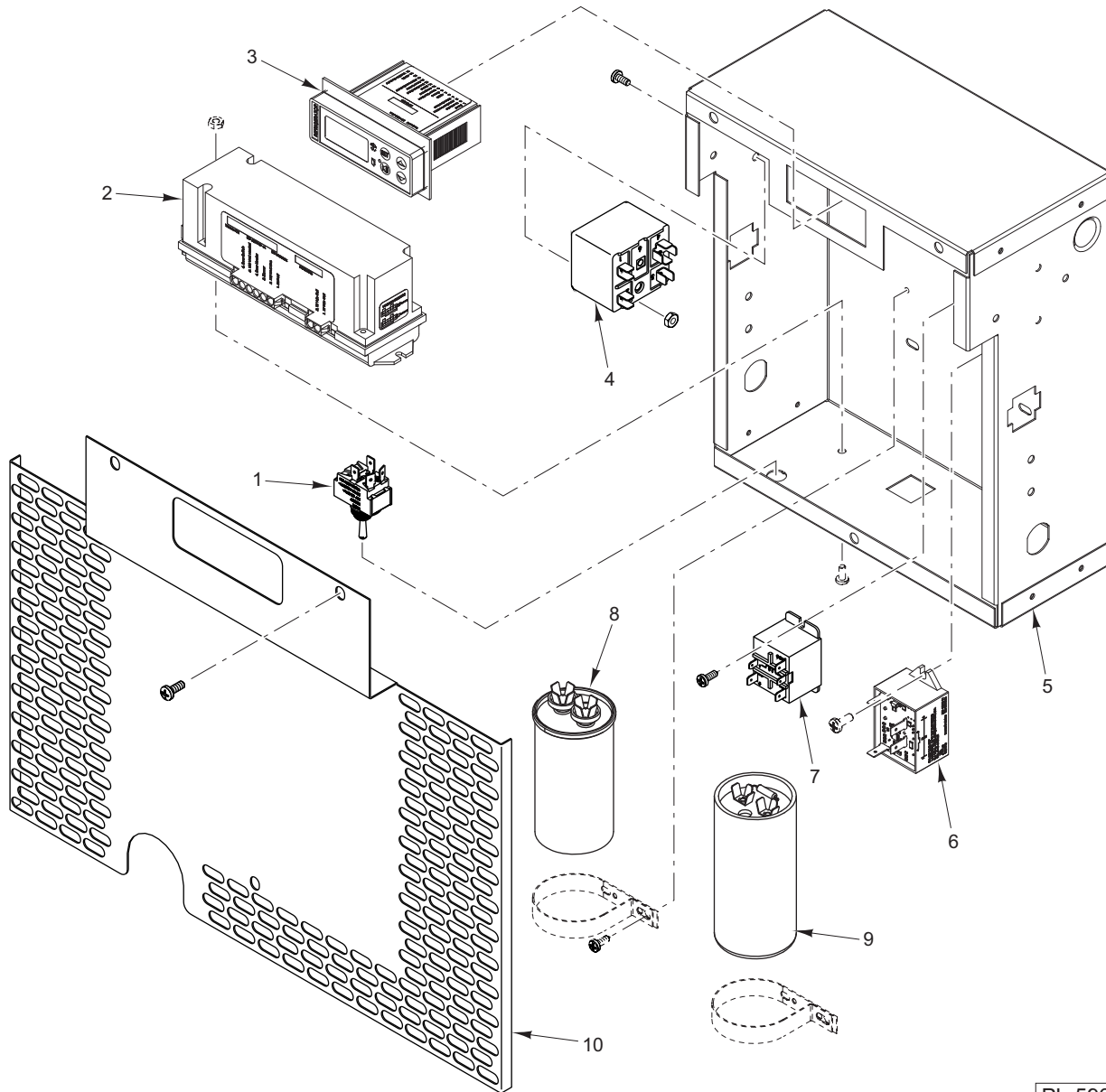
## TUQC SERIES QUICK CHILLER UNDERCOUNTER

QUICK CHILLER  
TU048QC

4401 BLUE MOUND RD. • FT. WORTH, TX 76106 • 1-800-825-8220

**TABLE OF CONTENTS**

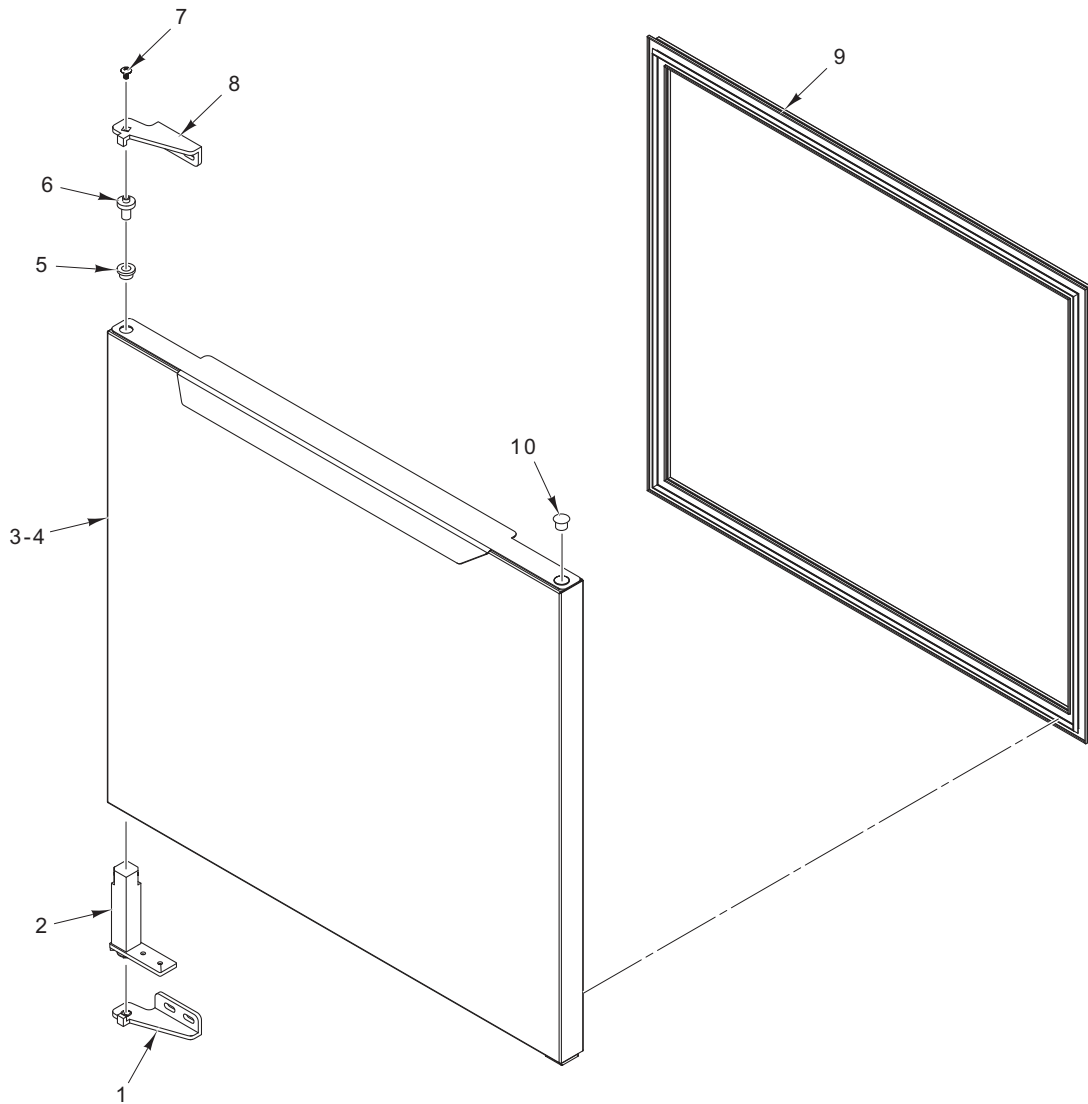
3	CONTROL BOX
5	DOOR
7	PANELS AND RACKS
9	CONDENSER AND COMPRESSOR
11	EVAPORATOR
12	DRAWER ASSEMBLY



PL-59644

**CONTROL BOX**

ILLUS.	PART NO.	NAME OF PART	AMT.
PL-59644			
1	337-60346-00	Switch – Toggle (S.P.S.T.) (20 Amp., 1.5 Hp.).....	1
2	337-60317-00	Relay – Module (115 VAC).....	1
3	337-60403-00	Control Head Assy. ....	1
4	337-60409-01	Relay – Start (Potential).....	1
5	701-61225-00	Box – Junction .....	1
6	337-60360-01	Relay – Hybrid (With Surge Damper) .....	1
7	324-43181-00	Relay – Defrost (S.P.D.T.) (120 VAC) .....	1
8	337-60412-01	Capacitor – Run (25 mFD).....	1
9	337-60411-00	Capacitor – Start (145-174 mFD) .....	1
10	701-61229-00	Cover – Junction Box.....	1

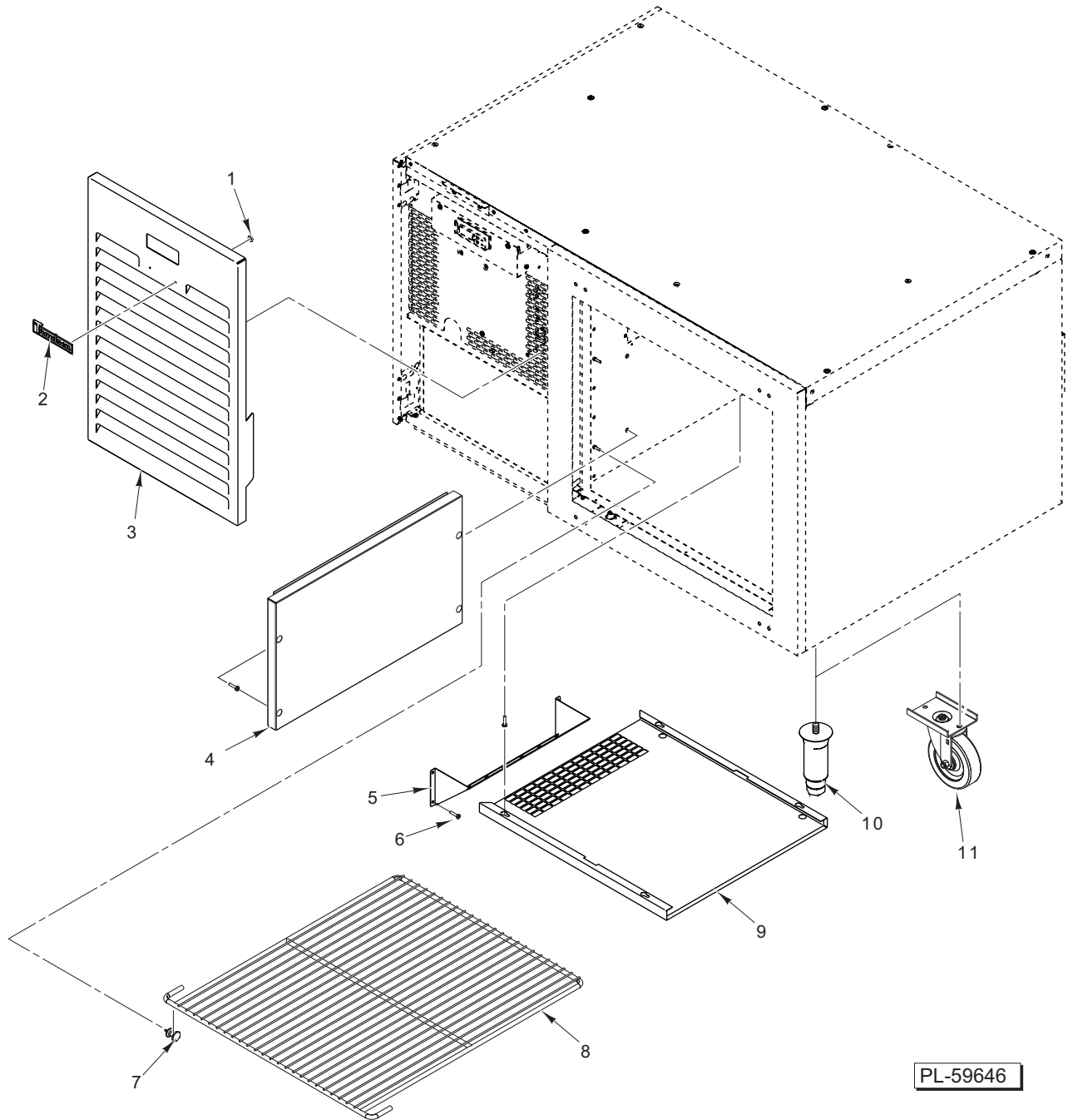


PL-59649

**DOOR**

**DOOR**

ILLUS.	PART NO.	NAME OF PART	AMT.
PL-59649			
1	282545	Hinge Plate (Lower LH, Upper RH) .....	1
2	282543	Hinge – Cartridge.....	1
3	200-60550-01	Door Assy. (Hinged Right).....	1
4	200-60550-00	Door Assy. (Hinged Left).....	1
5	358-10042-00	Bushing – Door Stop.....	2
6	358-10037-00	Pin – Hinge Pivot (Upper).....	2
7	SA-021-37	Mach. Screw 10-32 x <sup>5</sup> / <sub>16</sub> Phil. Rd. Hd. ....	2
8	282544	Hinge Plate (Lower RH, Upper LH) .....	1
9	341-60197-00	Gasket – Snap .....	1
10	335-12491-02	Plug – Snap-In ( <sup>1</sup> / <sub>2</sub> In.) .....	1

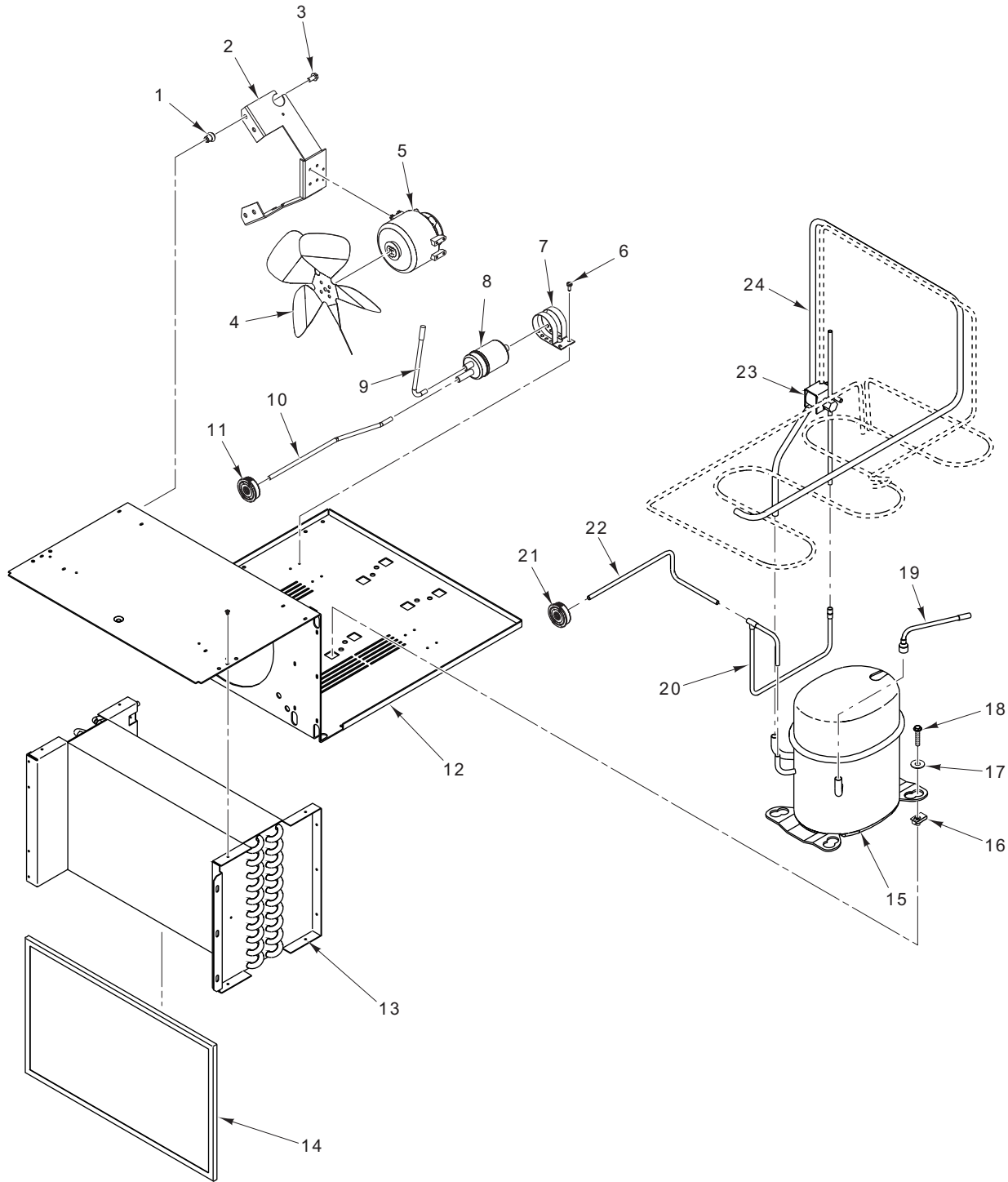


PL-59646

**PANELS AND RACKS**

**PANELS AND RACKS**

ILLUS.	PART NO.	NAME OF PART	AMT.
PL-59646			
1	356-12950-00	Nut – Self-Clinching .....	2
2	370-09735-00	Logo – Traulsen .....	1
3	500-70093-00	Panel – Louver.....	1
4	614-60158-00	Duct – Return Air .....	1
5	614-60161-00	Duct – Transition.....	1
6	351-60003-01	Self-Tapping Screw #10 x 3/4 Phil. Hd. ....	4
7	344-24759-02	Pin – Shelf .....	AR
8	340-60230-01	Shelf.....	AR
9	614-60162-00	Duct – Top.....	1
10	344-60213-00	Leg (6 In.) .....	4
11	344-60191-00	Caster (6 In.) (With Plate) .....	4

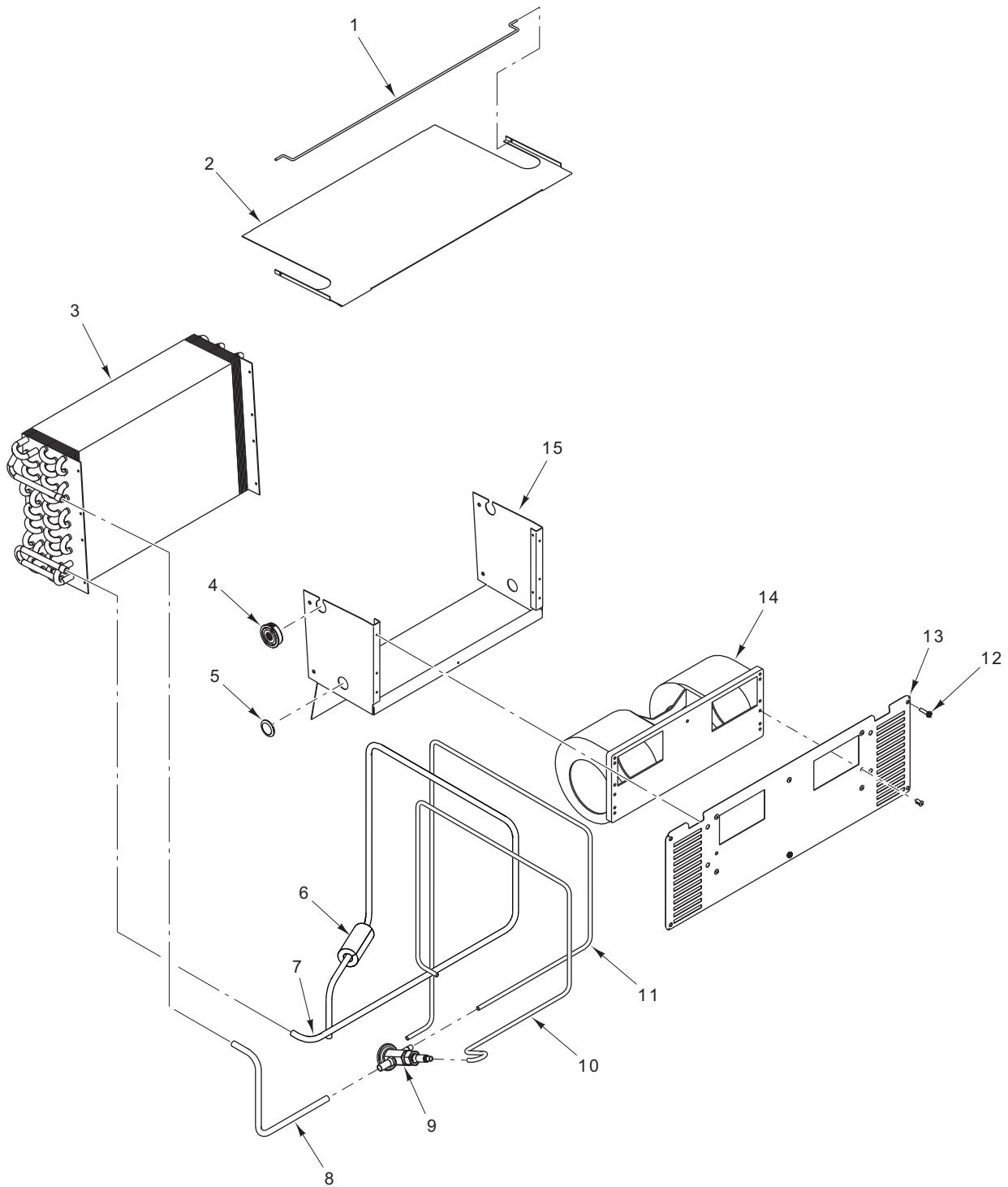


PL-59647

**CONDENSER AND COMPRESSOR**

**CONDENSER AND COMPRESSOR**

ILLUS. PL-59647	PART NO.	NAME OF PART	AMT.
1	356-60024-00	Insert 1/4-20 Rivnut .....	4
2	510-10305-00	Bracket – Condenser (Fan Motor) .....	1
3	351-25542-03	Mach. Screw 1/4-20 x 1/2 Hex Washer Hd. ....	4
4	325-60135-00	Blade – Fan (8.75 In.) .....	1
5	338-60050-00	Motor (16 W., 115 V.) .....	1
6	351-60003-02	Self-Tapping Screw 8-18 x 1/2 Phil. Hd. ....	2
7	701-60796-00	Bracket – Filter Drier .....	1
8	325-60103-00	Drier .....	1
9	326-60270-00	Tubing (6 In. Process) (1/4 O.D.) .....	1
10	326-60372-00	Tubing (Condenser Outlet to Drier Inlet) .....	1
11	334-12213-04	Bushing – Snap .....	1
12	701-61458-00	Base – Condenser System .....	1
13	322-60052-00	Condenser – Coil Fin .....	1
14	341-60062-07	Air Filter (13 x 10.5) .....	1
15	321-60206-00	Compressor (AFT26C1E-CFA-301) (115 V.) .....	1
16	356-60034-00	Nut – Clip .....	4
17	355-60019-00	Washer .....	4
18	SC-114-68	Mach. Screw 1/4-20 x 1 1/2 Hex Hd. ....	4
19	326-60270-00	Tubing (6 In. Process) (1/4 O.D.) .....	1
20	326-60399-00	Tubing (Tee to Hot Gas Valve) .....	1
21	334-12213-04	Bushing – Snap .....	1
22	326-60489-00	Tubing (Tee to Condenser Inlet) .....	1
23	325-60108-00	Valve – Hot Gas .....	1
24	326-60488-00	Tubing – Suction Line .....	1

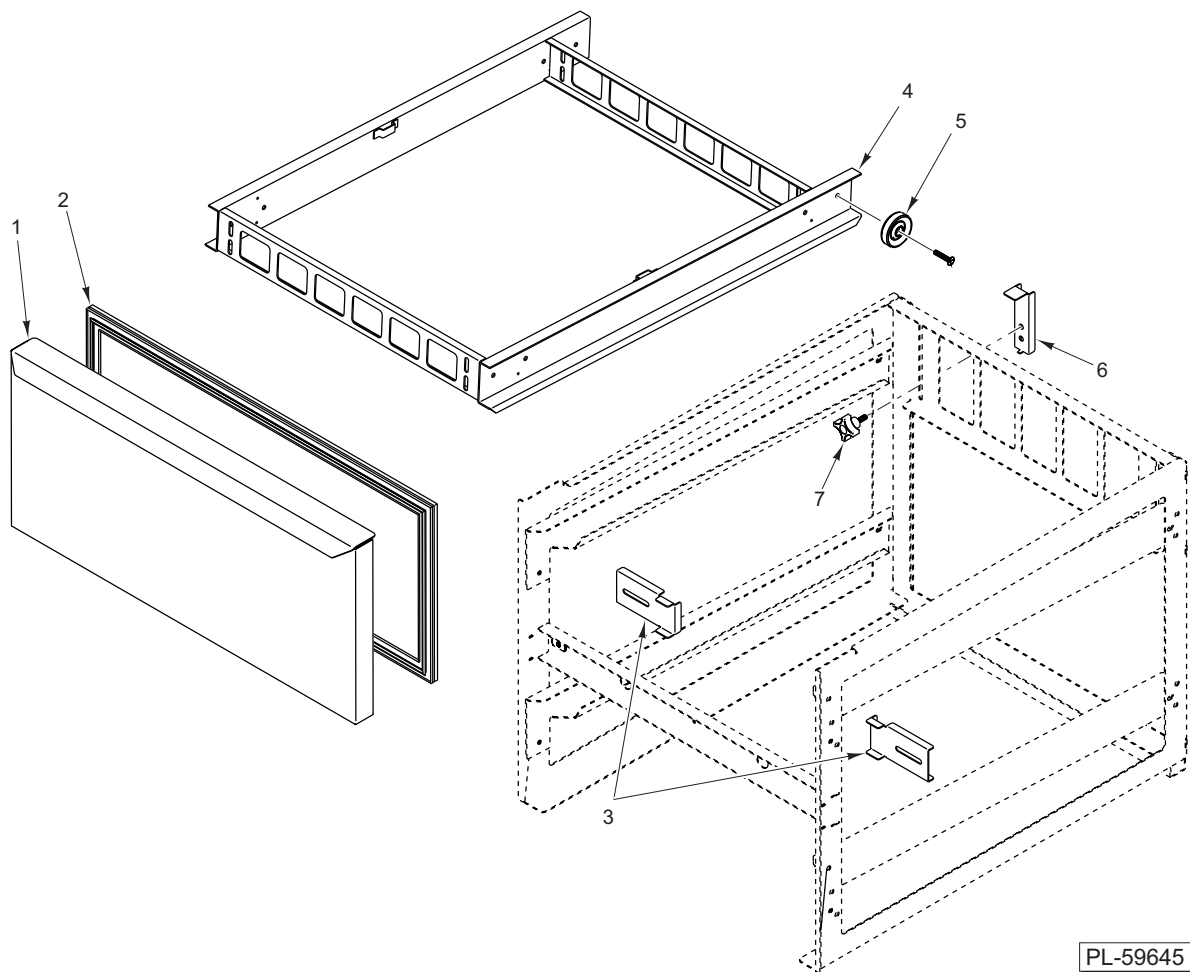


PL-59648

**EVAPORATOR**

**EVAPORATOR**

ILLUS.	PART NO.	NAME OF PART	AMT.
PL-59648			
1	701-61119-02	Clip – Spring .....	1
2	614-60145-00	Cover – Top Evaporator .....	1
3	322-60053-00	Coil – Evaporator .....	1
4	334-12213-07	Bushing (Open/Closed) .....	1
5	335-12491-00	Plug – Snap-In .....	AR
6	327-60003-01	Insulation – Tubing.....	AR
7	326-60488-00	Tubing (Suction Line).....	1
8	326-60422-00	Tubing (Evaporator Coil To TXV Valve) .....	1
9	325-60080-31	TXV Valve .....	1
10	326-60396-00	Tubing (Hot Gas Loop to TXV Valve).....	1
11	326-60487-00	Tubing (Drier Outlet To Liquid Line) .....	1
12	351-60001-12	Mach. Screw 10-32 x 3/4 Slotted Hd. ....	4
13	614-60146-00	Baffle – Air .....	1
14	325-60073-01	Blower.....	1
15	614-60144-00	Divider – Coil .....	1



PL-59645

### DRAWER ASSEMBLY

ILLUS.	PART NO.	NAME OF PART	AMT.
PL-59645			
1	550-10114-00	Drawer Face Assy. (2 Drawers, 6 In. Deep Pan).....	1
2	341-60176-07	Gasket – Drawer (2 Drawers, 6 In. Deep Pan).....	1
3	510-10374-00	Lock Slide Assy. – Front.....	2
4	550-10104-00	Drawer Frame Assy.....	1
5	344-60155-00	Roller – Drawer.....	AR
6	550-10118-00	Lock Slide Assy. – Rear.....	2
7	351-60073-01	Thumb Screw 1/4-20 x 3/4 (With Plastic Head).....	AR
	550-10108-00	Drawer Assy. (2 Drawers, 6 In. Deep Pan) (Incls. Items 1, 2, 4, 5, & Adapter Bars).....	1