



Quality Refrigeration

CATALOG OF REPLACEMENT PARTS



G SERIES REFRIGERATOR/FREEZER

REFRIGERATORS

G100XX
G110XX
G200XX
G210XX
G300XX
G320XX

FREEZERS

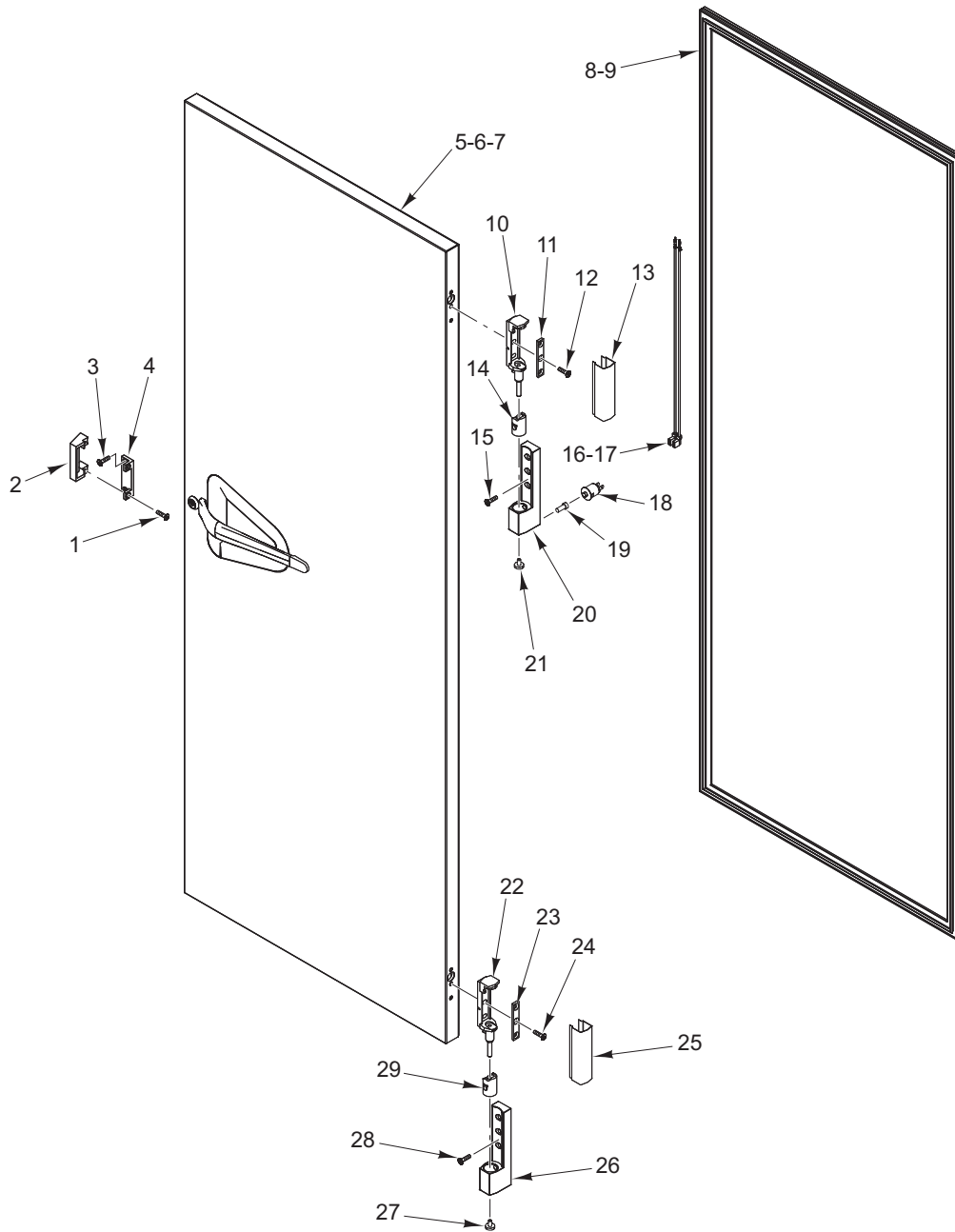
G120XX
G220XX
G310XX
G313XX

Note: The last two digits of the model number denote half height or full height doors and their hinging options.

4401 BLUE MOUND RD. • FT. WORTH, TX 76106 • 1-800-825-8220

TABLE OF CONTENTS

5	DOOR
7	PANELS AND RACKS
9	CONDENSER, COMPRESSOR, AND EVAPORATOR (G10010, G11000, G12000, AND G20010)
11	CONDENSER, COMPRESSOR, AND EVAPORATOR (G21000, G22000, AND G30010)
13	CONDENSER, COMPRESSOR, AND EVAPORATOR (G31000)
15	CONDENSER, COMPRESSOR, AND EVAPORATOR (G31300)
17	CONDENSER, COMPRESSOR, AND EVAPORATOR (G32000)
19	EVAPORATOR FAN ASSEMBLY

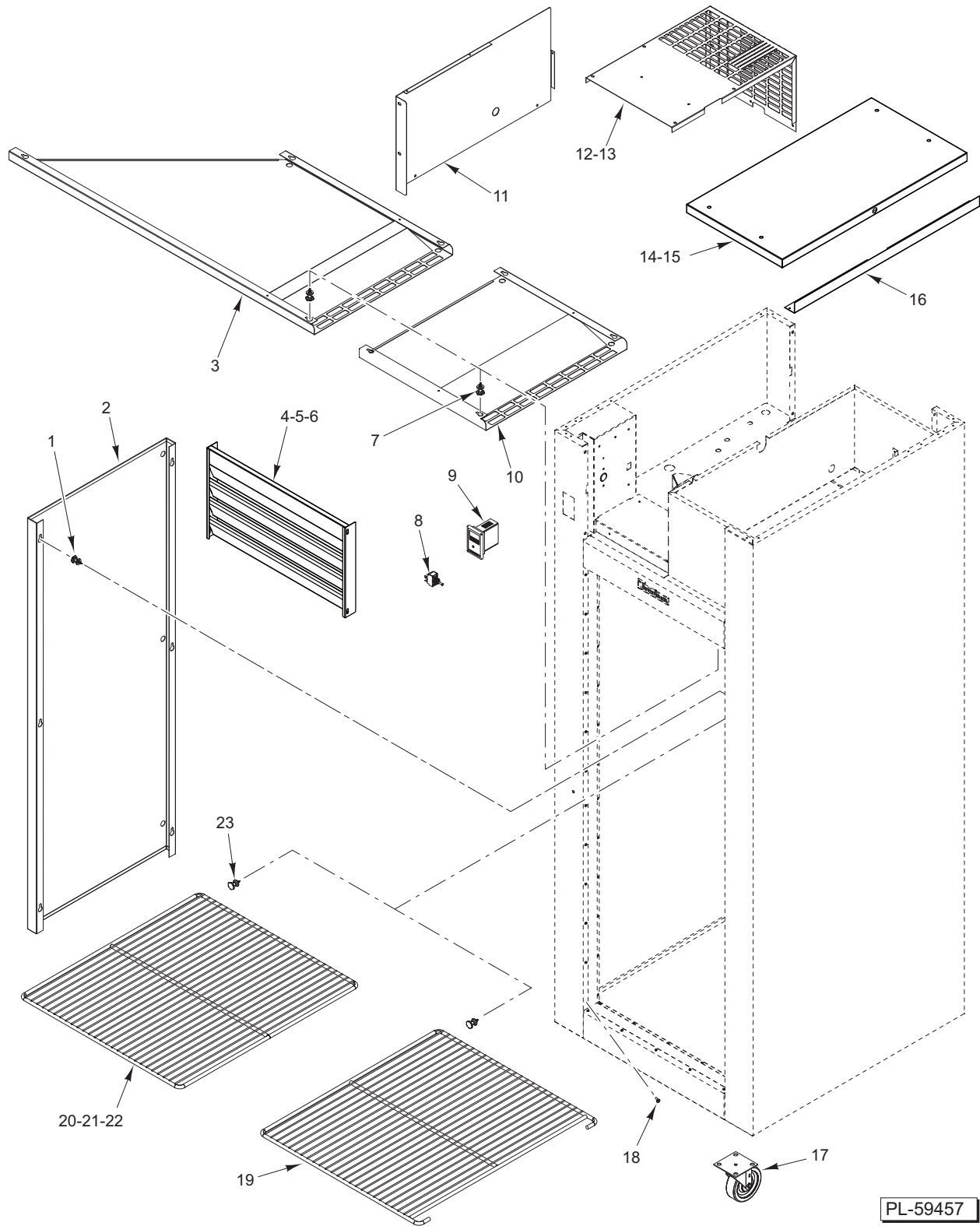


PL-59456

DOOR

DOOR

ILLUS.	PART NO.	NAME OF PART	AMT.
	PL-59456		
1	351-60002-01	Mach. Screw 10-32 x 1/2 Phil. Flat Hd. (SST).....	2
2	346-60017-00	Lock Keeper.....	1
3	351-60001-07	Mach. Screw 10-32 x 1/2 Phil. Flat Hd. (SST).....	2
4	346-60019-00	Bracket.....	1
5	SK-200-60142-00	Assy – Door (Incls. Item 8)	1
6	SK-200-60140-00	Assy – Half Door (RH Top, LH Bottom) (Incls. Item 9).....	1
7	SK-60140-01	Assy – Half Door (LH Top, RH Bottom) (Incls. Item 9).....	1
8	SVC-60059-00	Gasket – Door.....	1
9	SVC-60060-00	Gasket – Half Door	2
10	344-28487-00	Hinge – Door.....	1
11	344-28485-00	Plate.....	1
12	351-60002-07	Mach. Screw 10-32 x 3/4.....	3
13	344-28486-00	Cover – Hinge.....	1
14	344-28488-00	Cam	1
15	351-60002-07	Mach. Screw 10-32 x 3/4 Phil. Flat Hd.	3
16	333-60408-02	Harness – Light Switch (Full Height Door).....	1
17	333-60409-02	Harness – Light Switch (Half Height Door).....	1
18	337-28235-00	Switch – Door	1
19	344-28484-00	Adapter – Switch.....	1
20	344-28482-00	Hinge – Upper.....	1
21	344-28483-00	Screw – Safety.....	1
22	344-28487-00	Hinge – Door.....	1
23	344-28485-00	Plate.....	1
24	351-60002-07	Mach. Screw 10-32 x 3/4 Phil. Flat Hd.	3
25	344-28486-00	Cover – Hinge.....	1
26	344-28487-00	Hinge – Lower.....	1
27	344-28483-00	Screw – Safety.....	1
28	351-60002-07	Mach. Screw 10-32 x 3/4 Phil. Flat Hd.	3
29	344-28488-00	Cam	1
	SER-28583-00	Hinge Assy. (Incls. Items 10, 11, 13, 14, 19, 20, & 21)	1

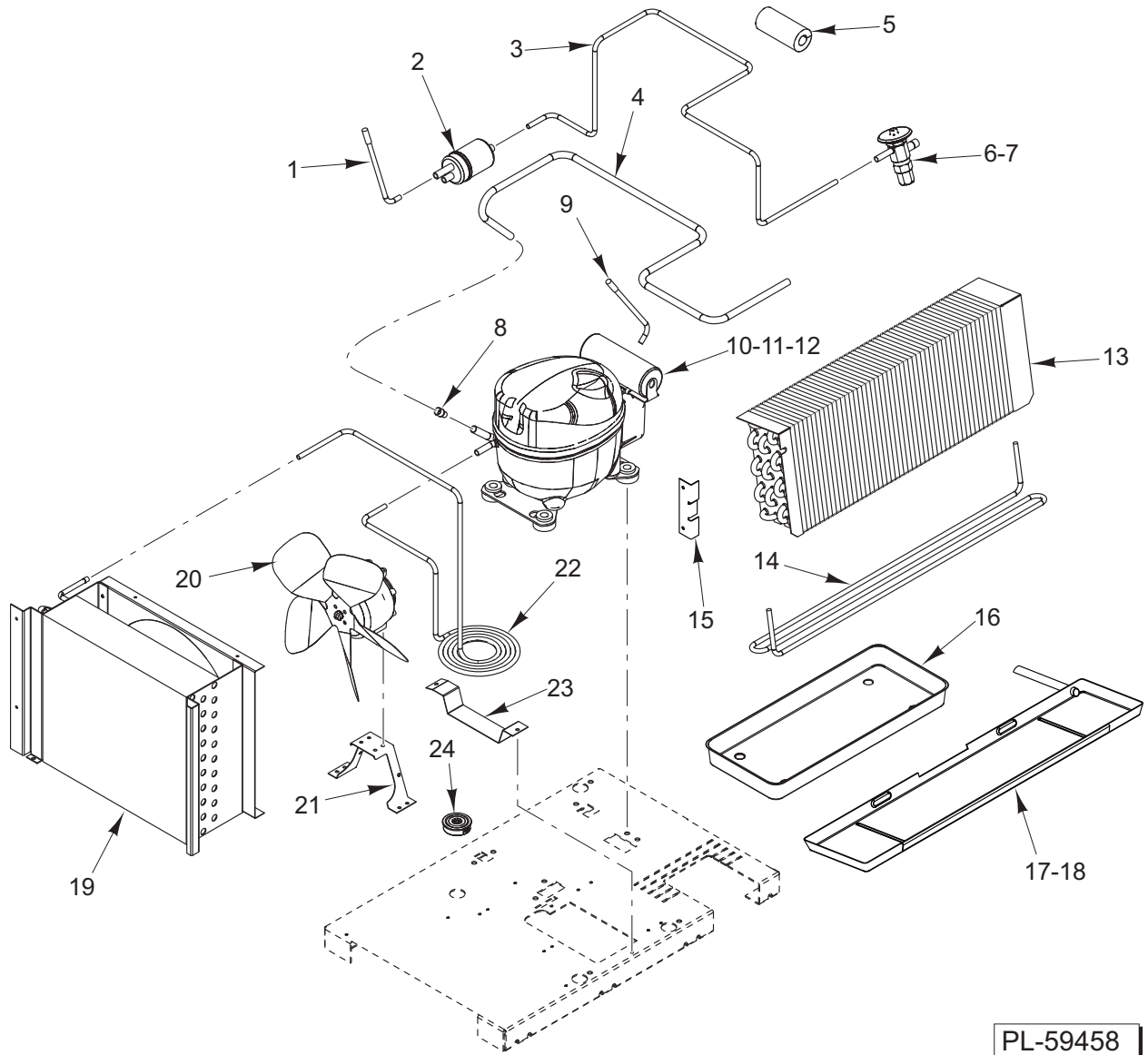


PL-59457

PANELS AND RACKS

PANELS AND RACKS

ILLUS. PL-59457	PART NO.	NAME OF PART	AMT.
1	351-60045-00	Mach. Screw 10-32 x 1/2 Sq. Cone Washer	6
2	614-60141-00	Panel – Duct Down	1
3	600-60835-01	Duct – Air Top (Includes Support Baffle) (G2 Series).....	1
4	500-70002-00	Assembly – Louver (G1 Series).....	1
5	500-70008-00	Assembly – Louver (G2 Series).....	1
6	500-70011-00	Assembly – Louver (G3 Series).....	1
7	351-60045-00	Mach. Screw 10-32 x 1/2 Sq. Cone Washer	4
8	337-60346-00	Switch – Toggle 20 Amp. 1 1/2 Hp. (SPST)	1
9	337-60319-00	Control – Head MIT 2 (G Series)	1
10	600-60835-00	Duct – Air Top (Includes Support Baffle) (G1 Series)	1
11	701-61354-00	Side – Cover Cond. Unit (G2 Series).....	1
12	701-60972-90	Cover – Condensing Unit (G1 & G2 Series).....	1
13	701-60975-90	Cover – Condensing Unit (G3 Series)	1
14	500-70004-00	Assy – Hump Cover (G1 Series)	1
15	500-70006-00	Assy – Hump Cover (G2 & G3 Series)	1
16	506-70001-00	Support – Angle Exterior Air Chamber.....	1
17	CK1	Caster (Set of 4)	1
18	351-29384-00	Self-Tapping Screw #4 x 7/16 Phil. Oval Hd.....	AR
19	340-60179-02	Rack.....	AR
20	340-60074-02	Rack.....	AR
21	340-26000-02	Rack.....	AR
22	340-60070-02	Rack.....	AR
23	344-24759-02	Screw – Mounting	4

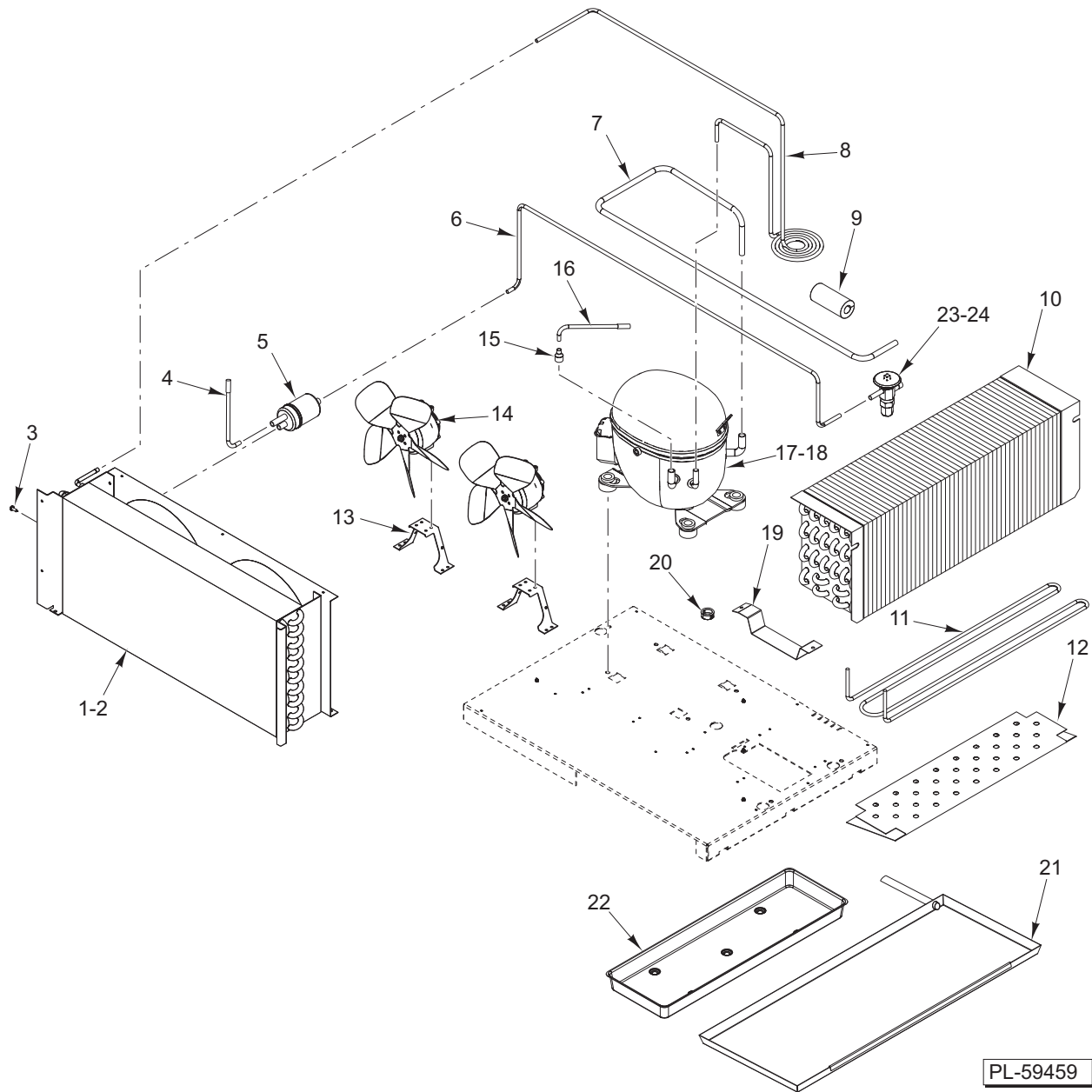


PL-59458

**CONDENSER, COMPRESSOR, AND EVAPORATOR
(G10010, G11000, G12000, AND G20010)**

**CONDENSER, COMPRESSOR, AND EVAPORATOR
(G10010, G11000, G12000, AND G20010)**

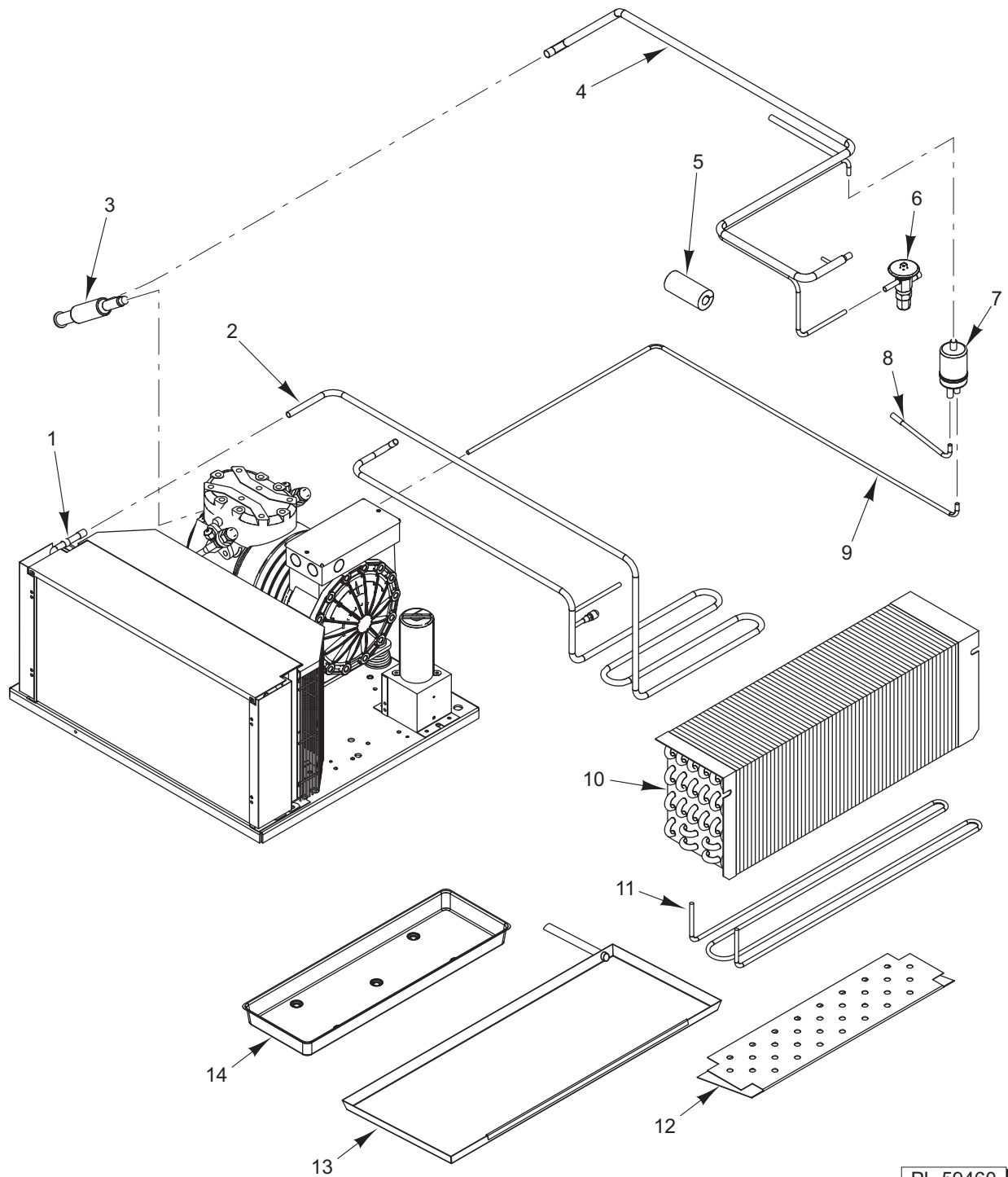
ILLUS.	PART NO.	NAME OF PART	AMT.
PL-59458			
1	326-60270-00	Tubing – Process (6 In. Lg.) (1/4 In. O.D.)	1
2	325-60103-00	Drier 032S (1/4 In. x 1/4 In. O.D.)	1
3	326-60305-01	Tubing – Liquid Line.....	1
4	326-60306-00	Tubing – Suction.....	1
5	327-60003-01	Wrap – Insulation.....	1
6	325-60080-37	TXV – Valve (AA 1/8 MW35)	1
7	325-60080-25	TXV – Valve (AA 1/8 SW30) (G12000).....	1
8	326-60420-00	Reducer – Copper 3/8 In. x 1/4 In.....	1
9	326-60270-00	Tubing – Process (6 In. Lg.) (1/4 In. O.D.)	1
10	321-60203-10	Compressor (G10010, & G20010).....	1
11	321-60204-00	Compressor (G12000).....	1
12	321-60205-10	Compressor (G11000)	1
13	322-60003-00	Coil – Evaporator	1
14	329-60022-00	Heater Defrost (500 W. 115 V.).....	1
15	610-70003-00	Bracket – Coil	2
16	SK-701-13694-00	Pan – Condenser.....	1
17	SER-28015-00	Pan – Drip (G10010, G11000, & G12000).....	1
18	SER-28012-00	Pan – Drip (G20010).....	1
19	325-60128-00	Coil – Condenser	1
20	SK-325-60124-00	Fan Assy. (Incls. Item 21).....	1
21	510-10461-00	Bracket – Fan Mount	1
22	326-60307-00	Loop – Hot Gas.....	1
23	510-10317-90	Bracket – Condensate Pan.....	1
24	334-12213-07	Bushing 7/8 In. (Heyco).....	1



**CONDENSER, COMPRESSOR, AND EVAPORATOR
(G21000, G22000, AND G30010)**

**CONDENSER, COMPRESSOR, AND EVAPORATOR
(G21000, G22000, AND G30010)**

ILLUS.	PART NO.	NAME OF PART	AMT.
PL-59459			
1	325-60122-00	Coil – Condenser (G21000, G22000, & G30010)	1
2	701-60964-90	Shroud – Condenser Fan (2 Section)	1
3	351-60003-02	Self-Tapping Screw 8-18 x 1/2 Phil. Pan Hd.	1
4	326-60270-00	Tubing – Process (6 In. Lg.) (1/4 In. O.D.)	1
5	325-60103-00	Drier 1/4 In. x 1/4 In. O.D. (032S)	1
6	326-60308-01	Tubing – Liquid Line	1
7	326-60309-00	Tubing – Suction	1
8	326-60310-00	Loop – Hot Gas	1
9	327-60003-01	Wrap – Insulation	1
10	322-60047-00	Coil – Evaporator	1
11	329-60021-00	Heater Defrost (500 W., 115 V.)	1
12	701-60450-00	Baffle Defrost Heater Heatsink 18 In.	1
13	510-10461-00	Bracket – Fan Mount	2
14	SK-325-60124-00	Fan – Assembly (Incls. Item 13)	2
15	326-32756-00	Reducer – Copper 1/2 In. x 1/4 In.	1
16	326-60270-00	Tubing – Process (6 In. Lg.) (1/4 In. O.D.)	1
17	321-60215-10	Compressor (G21000 & G30010)	1
18	321-60206-10	Compressor (G22000)	1
19	510-10317-00	Bracket – Condensate Pan	1
20	334-12213-07	Bushing 7/8 In. (Heyco)	1
21	SER-28012-00	Pan – Drip	1
22	SK-701-13694-00	Pan – Condensate	1
23	325-60080-38	TXV – Valve (AA 1/4 MW35) (G21000 & G30010)	1
24	325-60080-26	TXV – Valve (AA 1/4 SW30) (G22000)	1

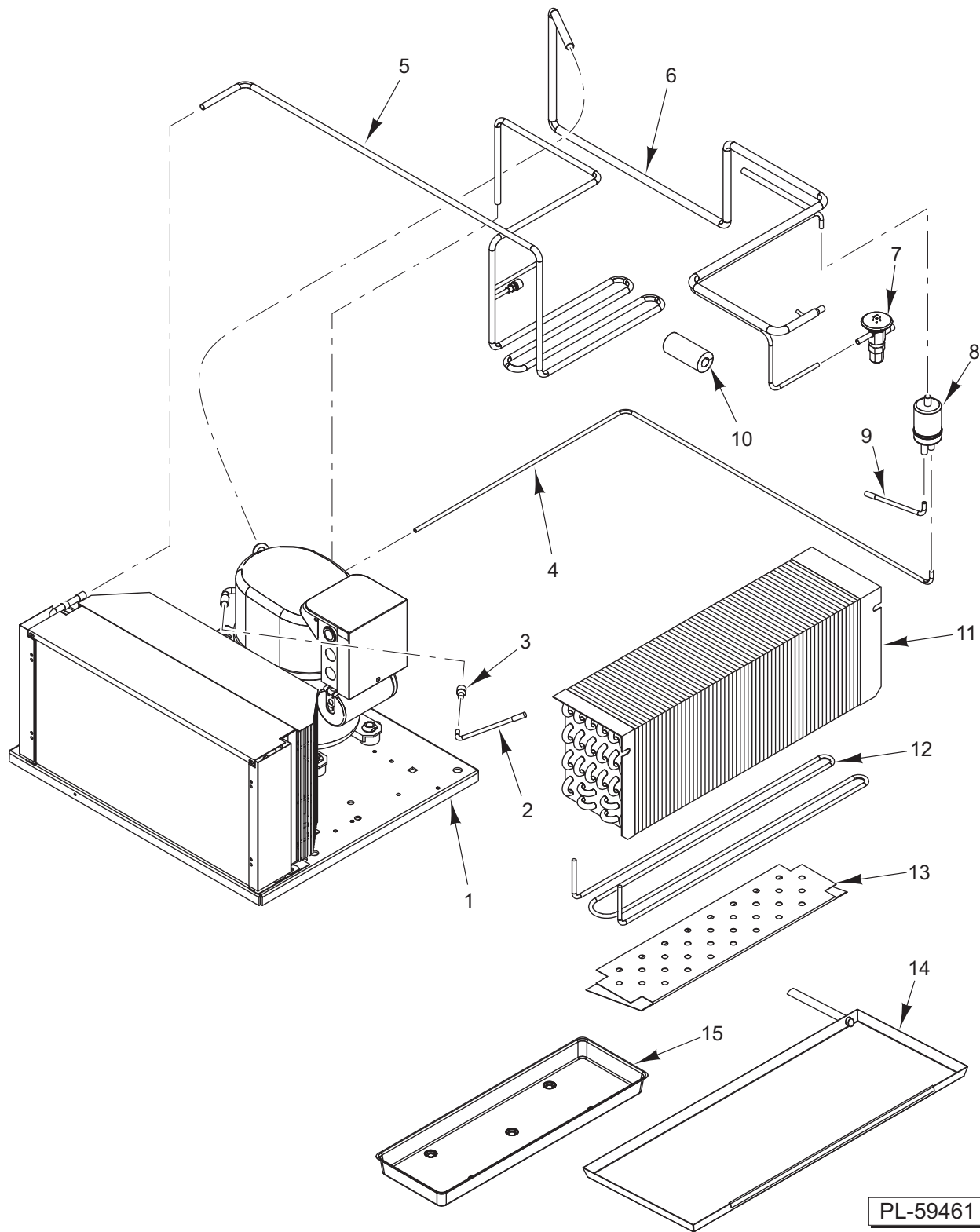


PL-59460

**CONDENSER, COMPRESSOR, AND EVAPORATOR
(G31000)**

**CONDENSER, COMPRESSOR, AND EVAPORATOR
(G31000)**

ILLUS.	PART NO.	NAME OF PART	AMT.
PL-59460			
1	321-60131-00	Unit – Condensing (DJAL-0076-IAA-140).....	1
2	326-60099-50	Loop – Hot Gas.....	1
3	325-60051-02	CRO – Valve CRO 1/2 In O.D.F. (Preset).....	1
4	323-60055-00	Tubing – Suction Line.....	1
5	327-60003-01	Wrap – Insulation.....	1
6	325-60080-34	TXV – Valve (AA 1/2 SW50).....	1
7	325-60103-00	Drier 1/4 In. x 1/4 In. O.D. (032S).....	1
8	326-60270-00	Tubing – Process (6 In. Lg.) (1/4 In. O.D.).....	1
9	323-60061-00	Tubing – Liquid Line.....	1
10	322-60047-00	Coil – Evaporator.....	1
11	329-60021-00	Heater Defrost (750 W., 115 V.).....	1
12	SK-701-60450-00	Baffle Defrost Heater Heatsink 18 In.	1
13	SER-28012-00	Pan – Drip.....	1
14	SK-701-13694-00	Pan – Condensate.....	1
	SK-701-25940-00	Bracket – Condensate Pan.....	1

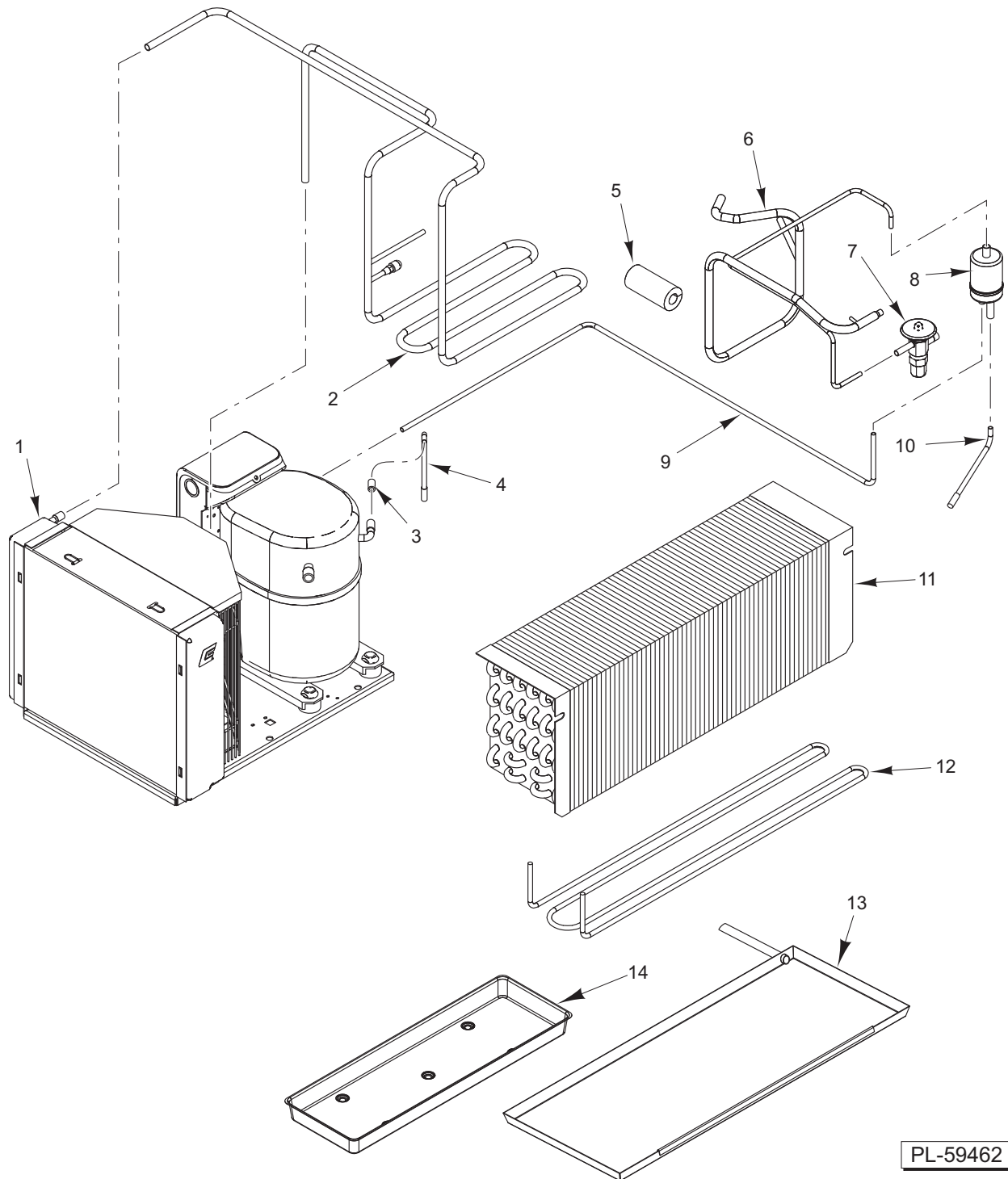


PL-59461

**CONDENSER, COMPRESSOR, AND EVAPORATOR
(G31300)**

**CONDENSER, COMPRESSOR, AND EVAPORATOR
(G31300)**

ILLUS.	PART NO.	NAME OF PART	AMT.
PL-59461			
1	321-60199-00	Unit – Condensing (FEAL-0090-CAV-140).....	1
2	326-60270-00	Tubing – Process (6 In. Lg.) (1/4 In. O.D.)	1
3	326-32756-00	Reducer – Copper 1/2 In. x 1/4 In.....	1
4	323-60061-00	Tubing – Liquid Line.....	1
5	326-60205-00	Loop – Hot Gas.....	1
6	326-60206-00	Tubing – Suction Line	1
7	325-60080-34	TXV – Valve (AA 1/2 SW50).....	1
8	325-60103-00	Drier 1/4 In. x 1/4 In. O.D. (032S)	1
9	326-60270-00	Tubing – Process (6 In. Lg.) (1/4 In. O.D.)	1
10	327-60003-01	Wrap – Insulation	1
11	322-60047-00	Coil – Evaporator	1
12	329-60024-00	Heater Defrost (750 W., 115 V.).....	1
13	SK-701-60450-00	Baffle Defrost Heater Heatsink 18 In.	1
14	SER-28012-00	Pan – Drip	1
15	SK-701-13694-00	Pan – Condensate	1
	SK-701-25940-00	Bracket – Condensate Pan.....	1

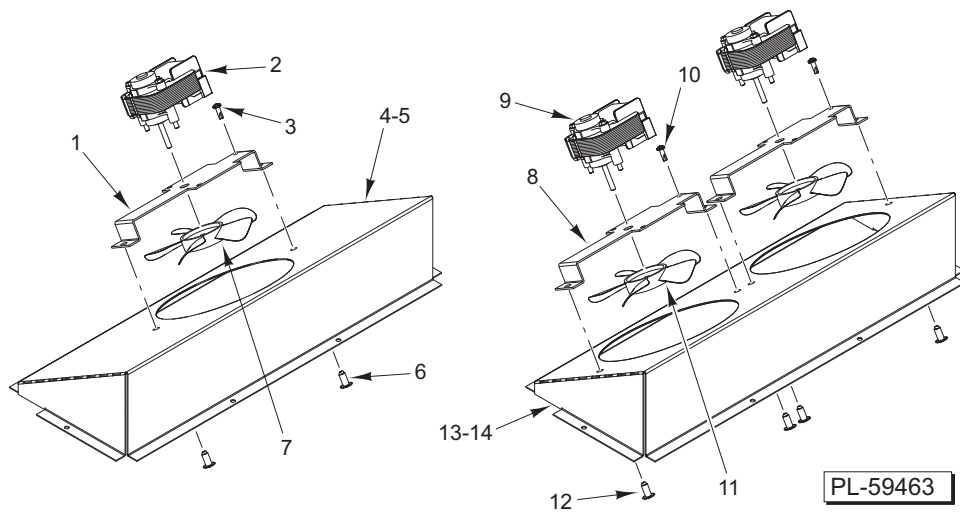


PL-59462

**CONDENSER, COMPRESSOR, AND EVAPORATOR
(G32000)**

**CONDENSER, COMPRESSOR, AND EVAPORATOR
(G32000)**

ILLUS.	PART NO.	NAME OF PART	AMT.
PL-59462			
1	321-60134-00	Unit – Condensing (FTAH-A074-IAA-141).....	1
2	326-60099-60	Loop – Hot Gas.....	1
3	326-60420-04	Reducer – Copper ³ / ₈ In. x ¹ / ₄ In.....	1
4	326-60270-00	Tubing – Process (6 In. Lg.) (¹ / ₄ In. O.D.).....	1
5	327-60003-01	Wrap – Insulation.....	1
6	323-60053-60	Tubing – Suction Line.....	1
7	325-60080-38	TXV – Valve (AA ¹ / ₄ MW35).....	1
8	325-60103-00	Drier ¹ / ₄ In. x ¹ / ₄ In. O.D. (032S).....	1
9	323-60051-60	Line – Liquid.....	1
10	326-60270-00	Tubing – Process (6 In. Lg.) (¹ / ₄ In. O.D.).....	1
11	322-60047-00	Coil – Evaporator.....	1
12	329-60021-00	Heater Defrost (750 W., 115 V.).....	1
13	SER-28012-00	Pan – Drip.....	1
14	SK-701-13694-00	Pan – Condensate.....	1
	SK-701-25940-00	Bracket – Condensate Pan.....	1



EVAPORATOR FAN ASSEMBLY

EVAPORATOR FAN ASSEMBLY

ILLUS.	PART NO.	NAME OF PART	AMT.
PL-59463			
1	SK-701-60837-00	Bracket – Fan Mount (G1 Series).....	1
2	338-60054-00	Motor – Fan (G1 Series).....	1
3	351-60038-00	Screw – Grounding 8-32 x 1/2 (G1 Series).....	1
4	605-50016-01	Box – Fan Recessed (30 Deg.) (G1 Series).....	1
5	370-29550-00	Decal – Caution (G1 Series).....	1
6	358-10003-00	Rivet (G1 Series).....	2
7	433090	Blades – Fan (Plastic) (G1 Series).....	1
8	SK-701-60837-00	Bracket – Fan Mount (G2 & G3 Series).....	2
9	338-60054-00	Motor – Fan (G2 & G3 Series).....	2
10	351-60038-00	Screw – Grounding (G2 & G3 Series).....	2
11	433090	Blades – Fan (G2 & G3 Series).....	2
12	354-60033-00	Rivet (G2 & G3 Series).....	4
13	605-50016-02	Box – Fans Recessed (30 Deg.) (G2 & G3 Series).....	1
14	370-29550-00	Decal – Caution (G2 & G3 Series).....	1
	SK-600-60841-00	Fan Assy. (1 Fan) (G1 Series).....	1
	SK-600-70023-00	Fan Assy. (2 Fan) (G2 Series).....	1

