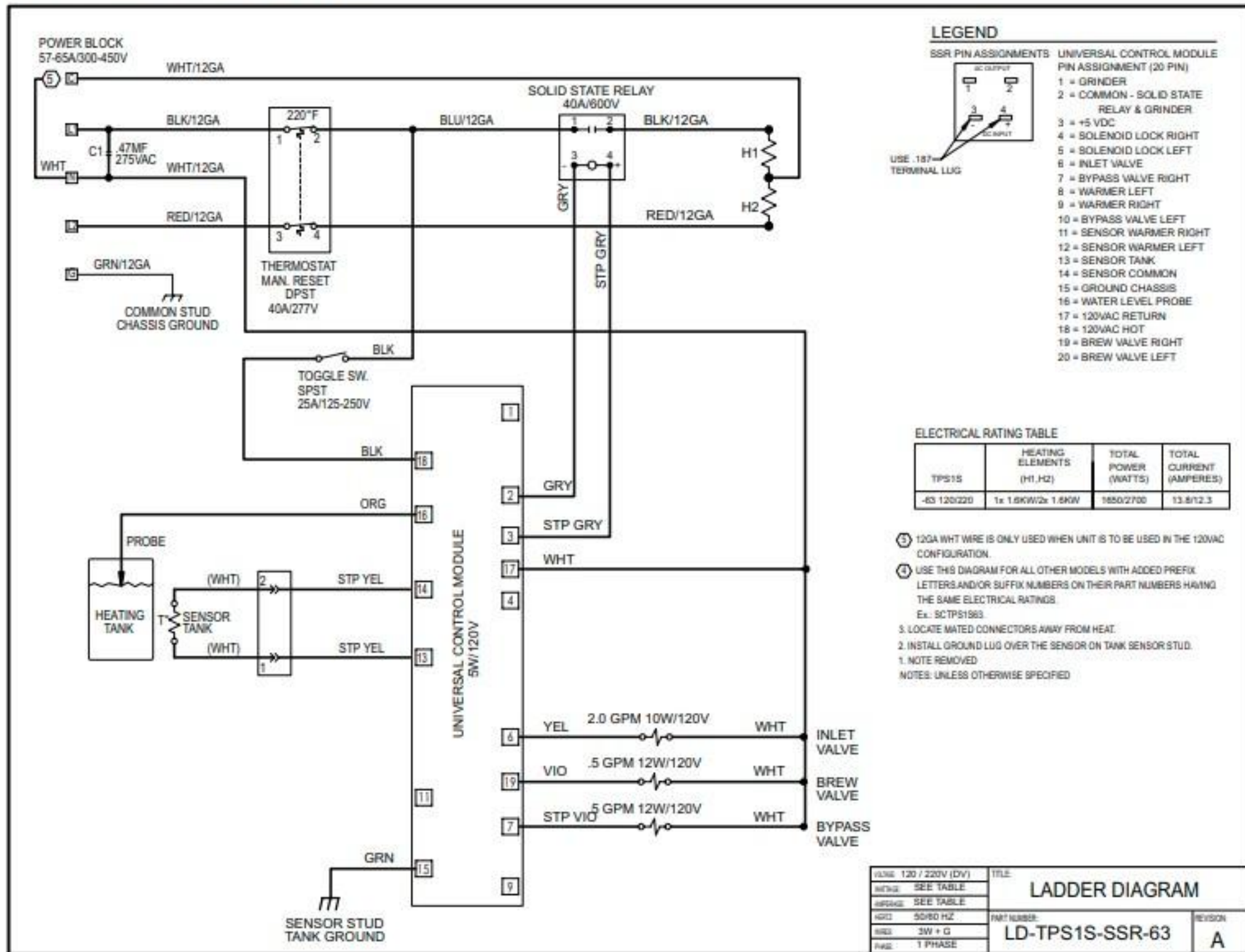


# ELECTRICAL SCHEMATIC



VOLTS: 120 / 220V (DV)	TITLE:	<b>LADDER DIAGRAM</b>	REVISION:
WIRING: SEE TABLE	PART NUMBER:		<b>LD-TPS1S-SSR-63</b>
APPROX: SEE TABLE			<b>A</b>
FREQ: 50/60 HZ			
PHASE: 3W + G			
PAGE: 1 PHASE			