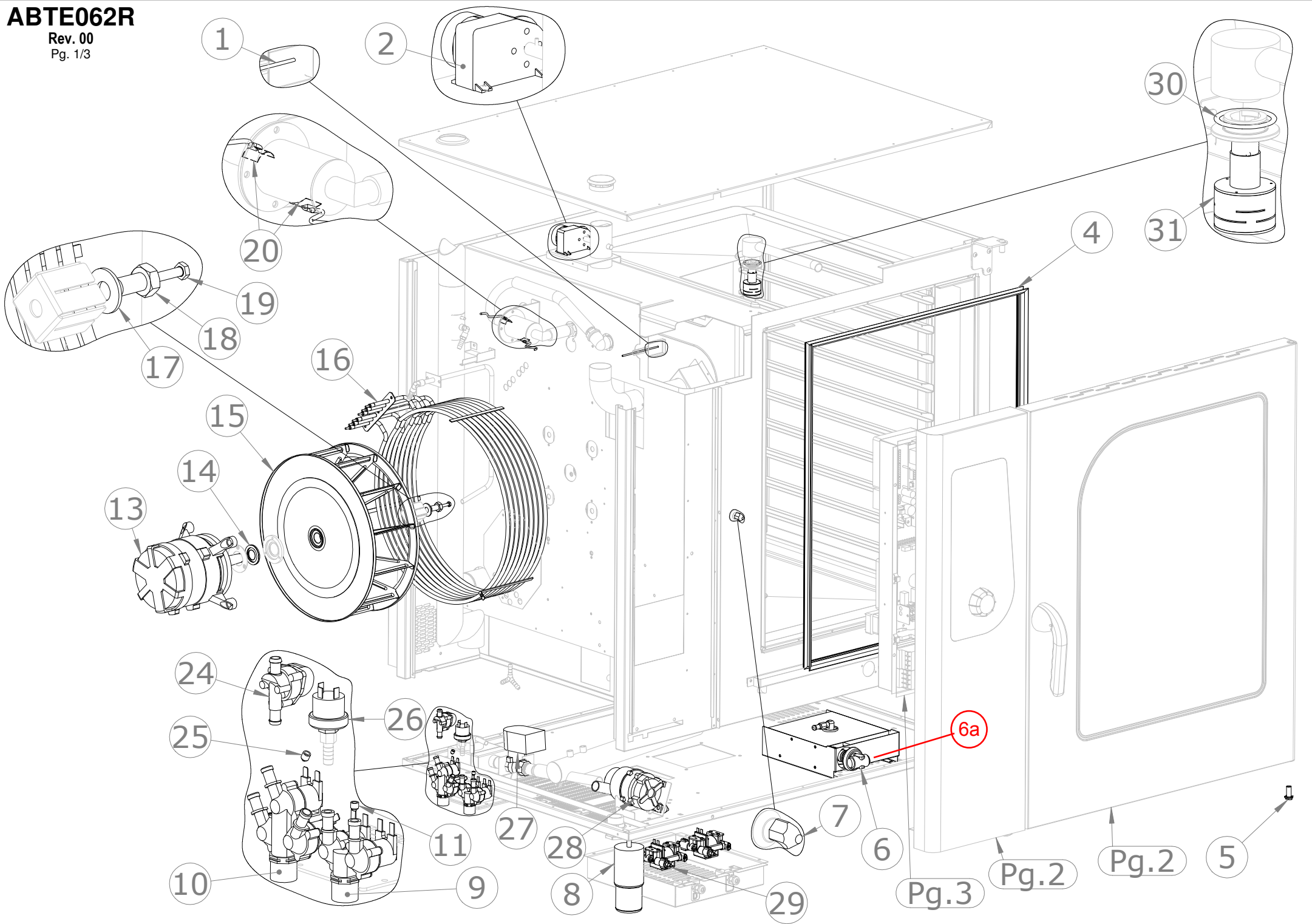


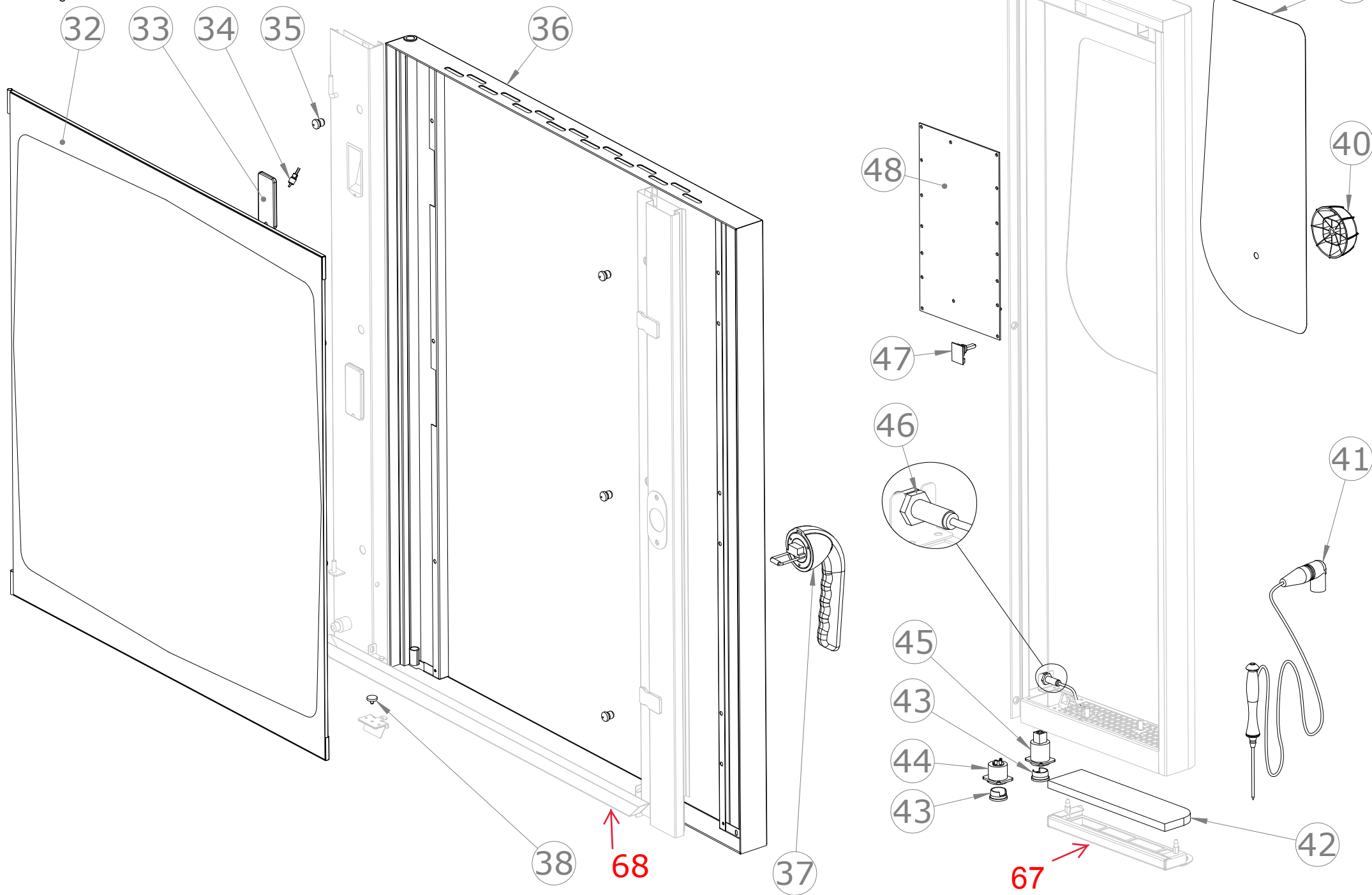
ABTE062R

Rev. 00
Pg. 1/3



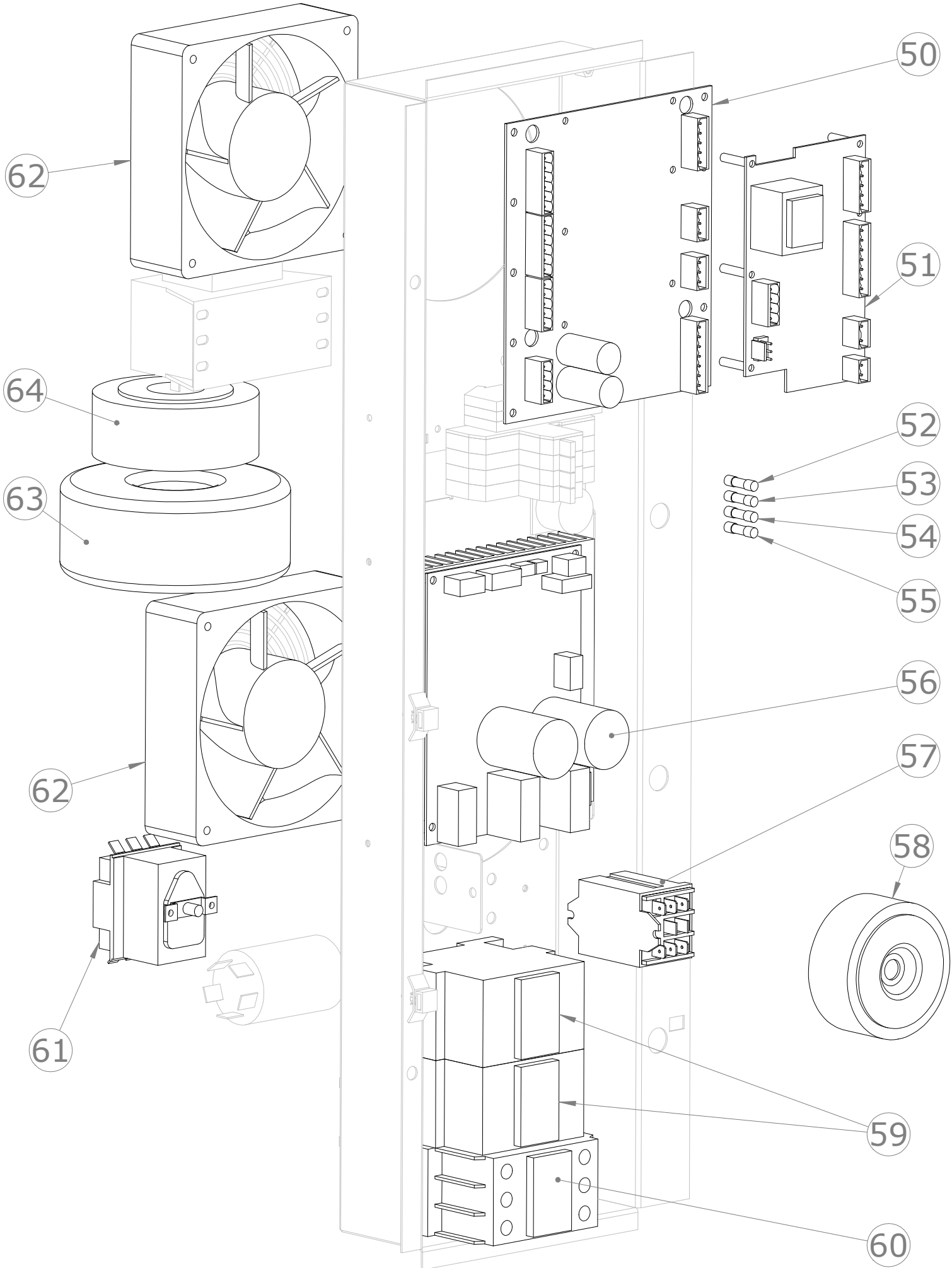
ABTE062R

Rev. 00
Pg. 2/3



ABTE062R

Rev. 00
Pg. 3/3



POS.	GB	CODICE	VALID.	SCAD.
1	Temperature probe	6000093		
2	Motor for valve	6031011		
4	Black oven seal Door Gasket	7070199		
5	Lower spindle for door	2015648		
6	Retractable hand spray 6a-Spray Handle, 7080053	7080051		
7	Locking dog	5900126		
8	Adjustable foot	5900699		
9	Solenoid valve for softened water supply	6042074		
10	Solenoid valve for main water supply Wash	6042080		
11	Nozzle for humidifying pipe	6042084		
13	Motor 3ph 0,55kW	6033151		
14	Motor shaft seal	7070151		
15	Oven fan 280x143,5 mm	5901112		
16	Heating element 20000 W	6002159		
17	Washer for motor	2013134		
18	Motor screw M12	2013133		
19	Motor screw M6x55 UNI5739 inox	5111014		
20	Umidity probe	6000111		
24	Flow meter	6042122		
25	Nozzle for washing system Blue	6042087		
26	Water pressure valve	7050008		
27	Oven drain solenoid valve	6042073		
28	Pump for washing system Wash Pump	6042123		
29	Detergent pump	6042124		
30	O-ring for diffuser washing system	6090160		
31	Diffuser washing system Washing Sprinkler head	2019791		
32	Screen-printed glass panel for oven (assembled)	2020907		
33	Glass holder	6063077		
34	Halogen bulb 5w	6061055		
35	Galss bumper	7070139		
36	Complete door with glass	2023202		
37	Complete Door Handle	2015669		
38	Caps for basin	2012707		
39	Polyester silkscreened panel	2019426		
40	Knob for encoder	2018988		
41	Core probe	6000120		
42	Air Filter	2019006		
43	Cap for connector	6060029		
44	USB 2.0	6000030		
45	Core probe connector	6000122		
46	Magnetic sensor	6042110		
47	Encoder push	6010133		
48	Oven Keyboard	6010158		
50	Oven main board	6010151		
51	Boiler expansion board	6010153		
52	Fuse 2A	6060110		
53	Fuse 315mA	6060107		
54	Fuse 125mA	6060106		
55	Fuse 10A	6060111		
56	Inverter for motor	6010131		
57	Power relay	6041008		
58	Light trasformer	6041080		
59	Contactore 32A	6046046		
60	Contactore 60A	6046041		
61	Safety thermostat	6010210		
62	Fan	6033175		
63	Trasformer 208V/230V AC 250 VA	6041075		
64	Trasformer 230V/24V AC	6041066		

65	Fluid Hose for Detergent Pump	(not pictured)	7090128
66	Fluid Hose for Wash Pump	(not pictured)	7090130
67	Control Panel Filter Bracket		2019258
68	Drip Tray (door mounted)		2020704
69			
70			
71			
72			