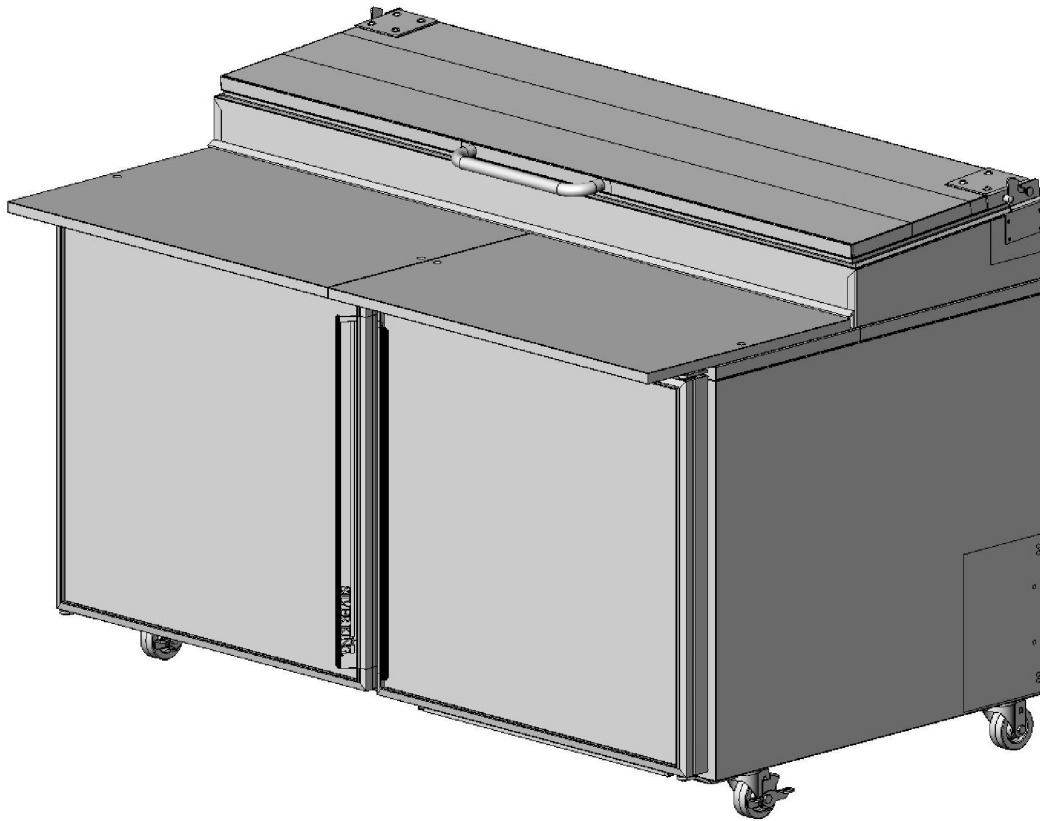


Technical Manual and Replacement Parts List

Refrigerated Pizza Prep Table



MODEL SKPZ60/CAS

SILVER KING REFRIGERATION INC.

1600 Xenium Lane North, Minneapolis, MN 55441-3787
Phone (763) 923-2441

SILVER KING®

FORM NO. 33195 REV H

Specifications Subject to Change Without Notice.



TECHNICAL MANUAL
SILVER KING PREPARATION TABLES
MODELS SKPZ60/CAS

Thank you for purchasing Silver King food service equipment. Our goal is to provide our customers with the most reliable equipment in the industry today. Please read this manual and the accompanying warranty information before operating your new Silver King unit. Be sure to complete and mail the warranty card within 10 days of purchase to validate your warranty.

INSPECT FOR DAMAGE AND UNCRATE

Upon delivery of your new Silver King unit, uncrate at once to inspect for possible freight damage following the instructions printed on the exterior of the container. Report any damages to the carrier responsible for transportation and promptly present a claim for any evidence of mishandling. Save all packaging materials if a claim is filed.

INSTALLATION

The stainless steel exterior of the cabinet has been protected by a plastic covering during manufacturing and shipping. This covering can be readily stripped before installation. After removing this covering, wash the interior and exterior surfaces using a warm, mild soapy water solution and a sponge or cloth, rinse with clean water and dry.

Legs/Casters

The unit comes with legs or casters. To install them, tip the unit on its back and thread the legs or casters into the four tapping plates in the base of the unit. The casters with brakes should be installed at the front of the cabinet. Make sure that they are installed tightly to prevent future thread wear. Periodically check for tightness.

Condenser Filter Screen

The Condenser Filter Screen, Screen Pull and Filter Guides are packaged inside the unit. The instructions for installing these parts are included in this technical manual. Do not operate the unit without the filter screen installed!

Pans and Pan Supports

The Pans and Pan Supports are packaged with the unit.

Cutting Board

The Cutting Boards are shipped with the cabinet. The Cutting Boards have two holes in them that align with studs installed on the top of the cabinet. To install the Cutting Boards place the back of the boards under the lip in front of the raised rail and set them down so the studs on the cabinet top align with the holes in the Cutting Boards. The Cutting Boards are reversible to extend wear.

Shelves

Inside the unit you will find Shelves and a plastic bag containing Shelf Supports. The Shelf Supports hook into the Pilasters that are mounted in the cabinet. The Shelf Supports with the tang go on the rear Pilasters. This shelf system allows for easy adjustment to suit your needs.

Door Adjustment and Swing

Should the Door ever require straightening, loosen the Screws on the Hinges, square the Door with the cabinet and retighten the Screws.

Location

When locating your new refrigerator, convenience and accessibility are important considerations, but the following installation guidelines must be followed:

- Always avoid placing the refrigerator adjacent to an oven, heating element or hot air source that would affect the operation of the unit.
- For proper ventilation the bottom front of the unit must not be obstructed. The unit must be on legs or casters to raise it off the floor. The unit can be installed tight on the sides and back.
- The unit must be level or tilted backwards slightly.

Electrical Connections

Be sure to check the data plate, located on the liner of the cabinet, for required voltage prior to connecting the unit to power. The specifications on the data plate supersede any future discussion.

The standard refrigerator is equipped with an eight (8) foot power cord that requires a 115 Volt, 60 Cycle, 1 Phase properly grounded electrical receptacle. The power cord comes with a 3 prong plug for grounding purposes. Any attempt to cut off the grounding spike or to connect to an ungrounded adapter plug will void the warranty, terminate the manufacturers responsibility and could result in serious injury.

The circuit must be protected with a 15 or 20 ampere fuse or breaker. The unit must be isolated on a circuit and not plugged into an extension cord.

OPERATION

Initial start up

After satisfying the installation requirements, the refrigerator is ready to start. The Compressor will start when the power cord is connected to the required power source. If the Compressor does not start when the unit is initially plugged in, check to make sure that the Temperature Control is not in the off position. Allow the unit to run for two hours before loading it with product. When loading the unit with product, take care not to block the air flow in the cabinet as this would affect the units performance.

Temperature Control

The Temperature Control is located on the back wall of the cabinet liner and is factory set to maintain an average cabinet temperature of approximately 36 to 40 Deg F.. To obtain colder temperatures turn the Temperature Control stem clockwise and vice versa. Allow the unit a minimum of one hour to respond to a control setting adjustment. To save energy, the rail cover should be closed when rail access is not required for a period of 10 minutes or more.

Defrost

Your Silver King refrigerator is an automatic defrost unit and no additional plumbing is required. Automatic defrosting is accomplished when frost buildup on the Evaporator Coil is cleared during Compressor off cycles. Defrost water is collected in a pan located in the compressor compartment where it is evaporated into the room air. It is important that the unit be installed level to allow proper drainage of the defrost water.

MAINTENANCE

Preventative maintenance is minimal although these few steps are very important to continued operation and maximizing the life of the appliance.

Cabinet Surfaces

The cabinet interior is aluminum and stainless steel and the exterior is stainless steel. These surfaces should be cleaned periodically with a solution of warm water and mild soap, rinsed and wiped dry with a soft cloth. A good stainless steel cleaner can also be used. Should a surface become stained, do not attempt to clean with an abrasive cleanser or scouring pad. Use a soft cleanser and rub with the grain of the metal to avoid scratching the surface. Do not use chlorinated cleaners. Always rinse well and dry after cleaning.

Condenser

Periodically the Condenser Filter Screen must be cleaned. The Condenser Filter Screen is located on the bottom of the cabinet. To clean it, simply pull it out the front of the unit using the Filter Screen Pull and rinse it in a stream of water. Dry the screen by tapping it on a counter or floor. Replace the filter screen by placing it into the filter screen tracks on the bottom of the unit and sliding it all the way to the rear of the cabinet. Do not operate the unit without the filter sreen installed!

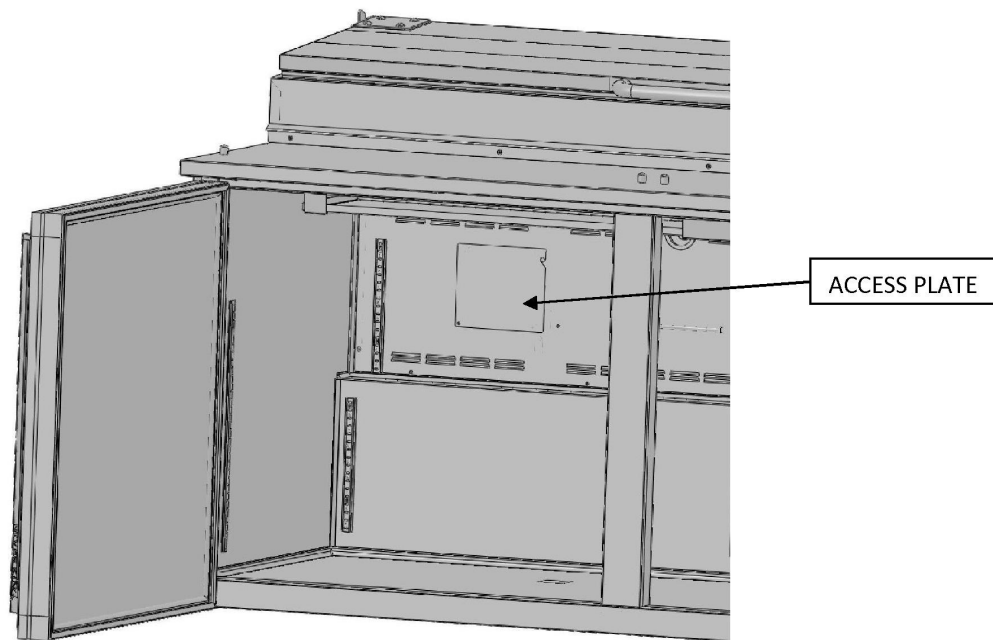
Door Gasket

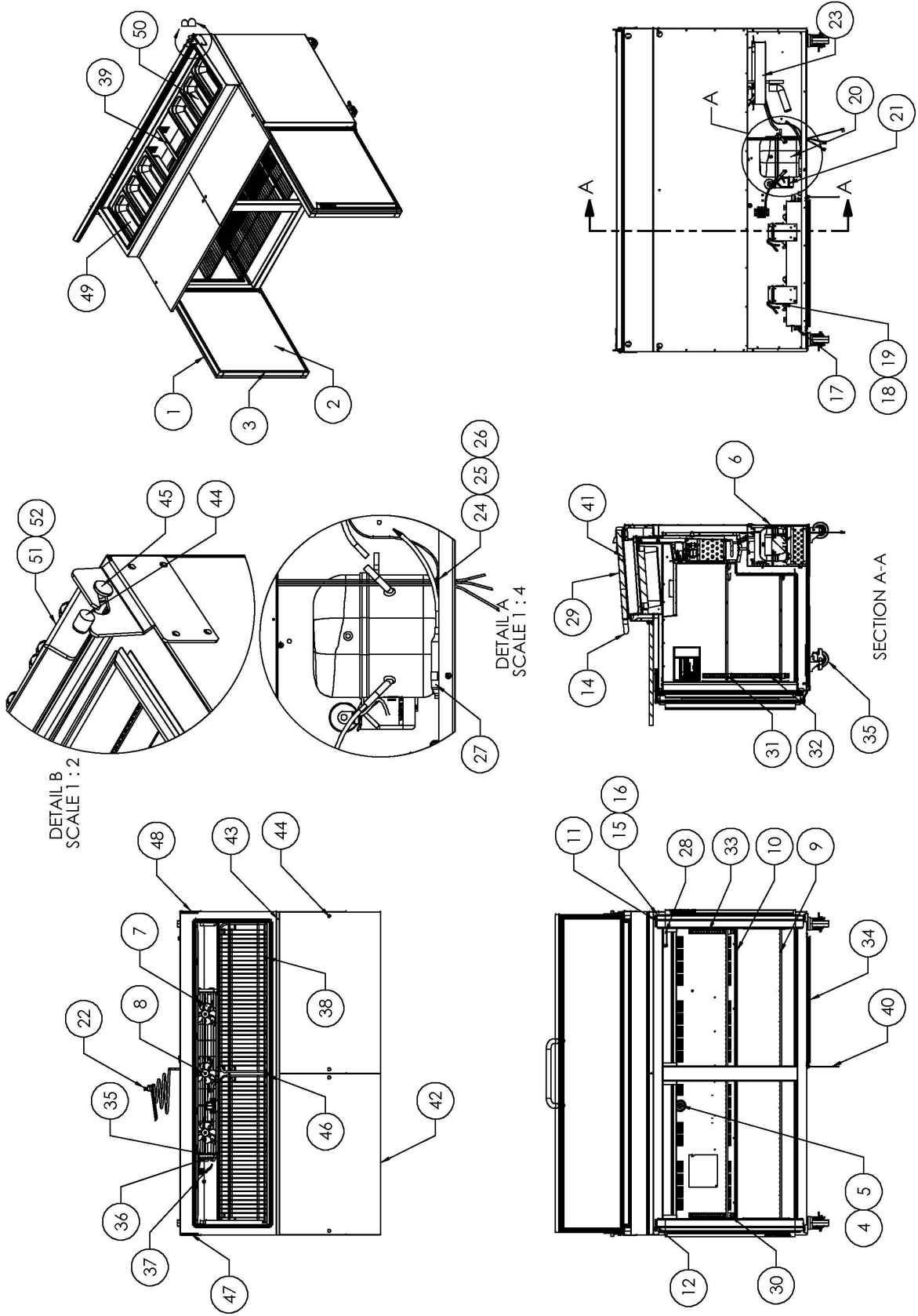
The Door Gasket will collect dirt and should be wiped clean with a warm, mild soapy water solution to extend its life and assure maximum cabinet performance and life.

MODEL _____ SERIAL NO. _____ DATE INSTALLED _____

Evaporator Drain Cleaning Instructions

- 1) Remove the pans and adapter bars from the left side of the unit.
- 2) There is a 5" X 5" access plate located on the inside left of the unit as shown in the picture below.
- 3) Loosen the two screws on the access plate and rotate the plate counter clockwise. The drain hole is located directly behind the access hole.
- 4) Clear any debris that may be clogging the drain hole.
- 5) Inspect the drain area. If there is excessive debris, the evaporator panel will need to be removed to clean the entire drain pan area.





REPLACEMENT PARTS LIST - SKPZ60/CAS

ITEM NO.	PART DESCRIPTION	PART NO.
1	DOOR ASSEMBLY	24554
2	DOOR LINER	10309-10
3	DOOR GASKET	10310-34
4	TEMPERATURE CONTROL PLATE	20653
5	TEMPERATURE CONTROL	20889
6	BACK PANEL	34942
7	FAN MOTOR EVAPORATOR 115V	21251-2
8	FAN BLADE EVAPORATOR	99190
9	SHELF (LOWER)	23948
10	SHELF (UPPER)	23949
11	HINGE (UPPER) RH	24559
12	HINGE (UPPER) LH	24560
13	HINGE (LOWER)	24549
14	HANDLE COVER	26930
15	DOOR BUSHING	99711
16	DOOR WASHER	23341
17	CONDENSER COIL	43762
18	FAN MOTOR CONDENSER 115V	22048
19	FAN BLADE CONDENSER	24194
20	KIT COMPRESSOR 115V	10343-75
21	KIT ELECTRICALS 115V	10344-75
22	POWER CORD 115V	43263
23	CONDENSATE PAN ASSEMBLY 115V	24966
24	GROMMET - COMPRESSOR MOUNT	20481
25	HAIRPIN CLIP - COMPRESSOR MOUNT	98106
26	WASHER - COMPRESSOR MOUNT	22401
27	DRIER	23793
28	TEMPERATURE INDICATOR	22409
29	ASSEMBLY COVER RAIL	36056
30	SHELF SUPPORT WITH TANG	99531
31	SHELF SUPPORT WITHOUT TANG	99530
32	SHELF PILASTER 16 IN	42986
33	SHELF PILASTER 8.5 IN	43515
34	FILTER SCREEN	30939
35	KIT 4" CASTERS	10314-79
36	EVAPORATOR COIL	63942
37	HEAT EXCHANGER	24322
38	PAN SUPPORT - FRONT	35163
39	PAN ADAPTER BAR	25569
40	FILTER AND GUIDE KIT	27263-7
41	GASKET - LID	26307
42	KIT CUTTING BOARDS	10330-38
43	CUTTING BOARD REAR BRACKET	32827
44	THREADED KNOB	24305
45	KNOB PIVOT	23503
46	BRACKET FRONT PAN SUPPORT	35428
47	HOOD BRACKET, LH	36322
48	HOOD BRACKET, RH	36323
49	PAN 1/3 SIZE 6" DEEP	26415
50	PAN 1/6 SIZE 6" DEEP	43643
51	HINGE ASSEMBLY LH	36685
52	HINGE ASSEMBLY RH	36686

FORM 33196

WHEN ORDERING REPLACEMENT PARTS, PLEASE PROVIDE MODEL AND SERIAL NUMBERS

