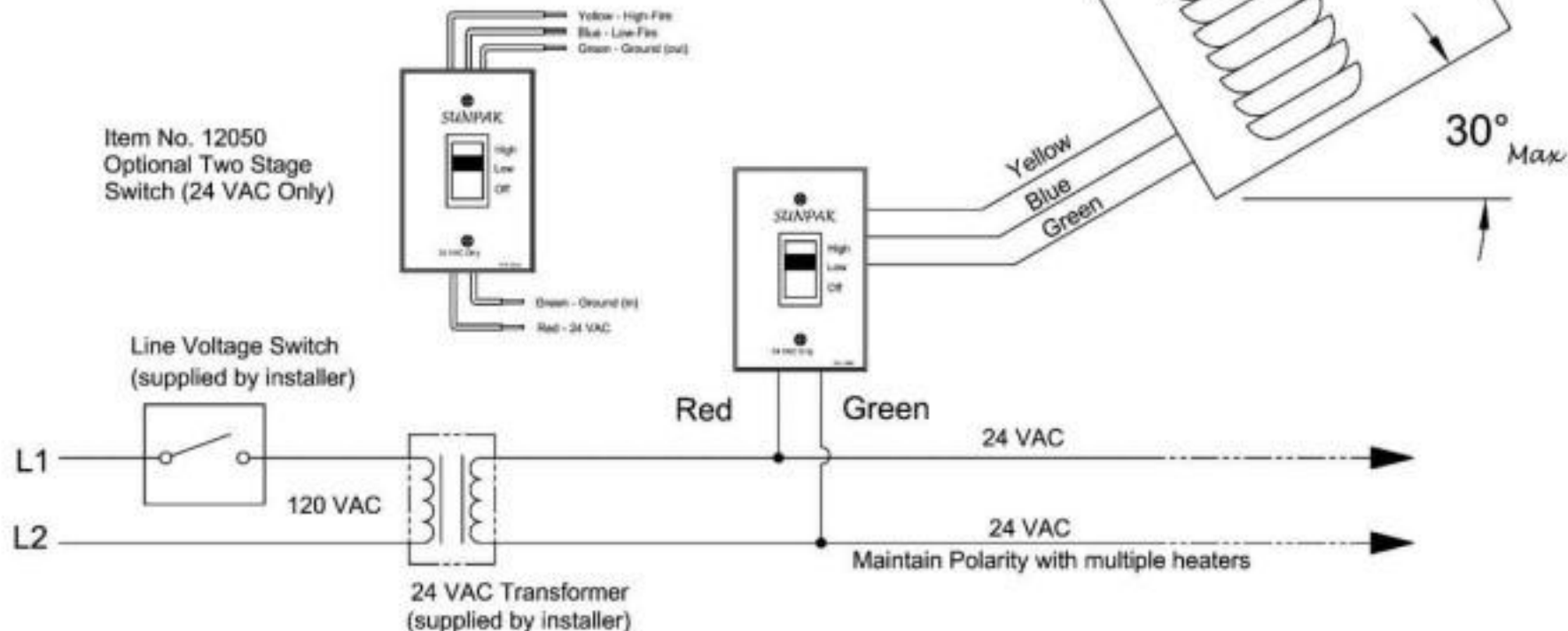


### Wiring Diagram for Sunpak S34 TSH Two Stage Hardwire Heater

- 1) 24 VAC / 20VA (.8 AMP required for each heater)
- 2) Electrical Polarity must be maintained when connecting multiple heaters
- 3) Never install the 24 VAC transformer inside the heater.

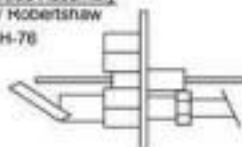


# Sunpak S34-TSH

## MICRO-50N 24

1. Five (5) Second Pre-purge.
2. Three (3) Trials for Ignition.
3. Disconnect Power to Reset.

Pilot Electrode Assembly  
Invensys / Hobertshaw  
Model 2SH-76



Orange Igniter Wire

Ignition Control Module  
Channel Products  
Micro-50N 24  
Voltage: 24 VAC

Gas Flow



Combination Gas Control  
Maxtrol Company  
Model: CV310  
Voltage: 24 VAC

Green  
Body Ground

Yellow

Green

Red

Yellow - High Fire

Blue - Low Fire

Green

24 VAC Transformer  
(supplied by installer)

Red

24 VAC  
Green

120 VAC

External

SUNPAK

Low

High

Off

Part No. 12052  
Optional Lighted Switch

Transformer & Switch  
(Supplied by Installer)

Infrared Dynamics, Inc  
Yorba Linda, CA 92886