

# MODEL “TF”, “RF” & “SF” GAS-FIRED TUBULAR UNIT HEATERS REPLACEMENT PARTS CATALOG

**INDEX**

WARRANTY INFORMATION – RETURN GOODS .....2  
CONVERSION KITS .....3  
SF-30/75 SEPARATED COMBUSTION REPLACEMENT PARTS .....4, 5  
RF/TF-30/90 LOW PROFILE REPLACEMENT PARTS .....6, 7  
TF-100/400 REPLACEMENT PARTS .....8, 9, 10, 11  
OPTIONAL PARTS .....12  
UNITS WITH HOT SURFACE IGNITION .....13  
TERMS .....15

**IMPORTANT**  
WHEN ORDERING PARTS, PLEASE  
SPECIFY UNIT MODEL NO. AND SERIAL NO.



260 NORTH ELM ST. WESTFIELD, MA 01085  
(413) 564-5540 • FAX: (413) 562-5311  
[www.sterlinghvac.com](http://www.sterlinghvac.com)

# IMPORTANT WARRANTY INFORMATION

If you are ordering a replacement part for a unit which you believe to be under warranty, the process is as follows:

- Provide Sterling with a description of the part or assembly needed and the model and serial number of the unit which experienced failure. If there is a question on the warranty, we can answer it at this point.
- We will enter your order and issue you a R.G.A. (Return Goods Authorization), if applicable, with instructions on how and where to send the defective parts.
- Your invoice will indicate “no charge” pending the return of the applicable defective parts. The invoice may list the R.G.A number and state: “a R.G.A has been issued. Re invoicing will occur if no receipt in 30 days.” However, some parts are to be field scrapped, which the invoice will state accordingly. If parts are received by us within the 30 days, and confirmed as “defective in-warranty”, the transaction will be closed.

If we do not receive the parts within 30 days or our inspection reveals a non-warranty condition, then a subsequent invoice will be generated indicating the appropriate cost and we will no longer accept returns on that R.G.A.

In order to insure the orderly processing of your warranty claim it is **MANDATORY** that certain paper work accompany any and all goods returned to Sterling. It is also mandatory that goods be sent to the proper location.

In order to assure proper handling of these goods we insist that under all circumstances we must formally authorize the return of material to our various facilities. Any material returned without authorization will not be accepted.

In order to insure that your properly authorized returns are accepted at our plant, we ask that you clearly mark any and all shipping papers with an R.G.A. number; we will not accept shipments that do not clearly show R.G.A. number on the outside of the box or crate!

**All returns to be shipped Freight Prepaid. Collect Shipments  
will not be accepted.**

CONSULT OUR CUSTOMER SERVICE DEPT. FOR ANY REPLACEMENT  
PARTS NOT LISTED IN THIS PUBLICATION. LIMITED AVAILABILITY ON  
CERTAIN OBSOLETE EQUIPMENT.

TEL. 413-564-5540      FAX# 413-562-5311

## CONVERSION KITS “RF/TF/SF” SERIES UNITS WITH DIRECT SPARK IGNITION SYSTEMS

(For units Manufactured January 1, 2006 and After)

### CONVERTING FROM NAT. GAS TO LP GAS

### CONVERTING FROM LP GAS TO NAT. GAS

MODEL NO.	CONVERSION KIT NO.	MODEL NO.	CONVERSION KIT NO.
RF/TF/SF-30/75	261R08263†	RF/TF/SF-30/75	261R06957
RF/TF-90	261R08264†	RF/TF-90	261R06961
TF-100/400	261R06951	TF-100/400	261R06952

†Universal Kit - converts both hot surface and direct spark ignition systems.  
Refer to Installation Manual for high altitude conversions (above 2,000 feet).

## CONVERSION KITS “RF/TF/SF” SERIES UNITS WITH HOT SURFACE IGNITION CONTROLS

(For Units Manufactured Prior to January 1, 2006)

### CONVERTING FROM NAT. GAS TO LP GAS

### CONVERTING FROM LP GAS TO NAT. GAS

MODEL NO.	CONVERSION KIT NO.	MODEL NO.	CONVERSION KIT NO.
RF/TF/SF-30/75	261R08263†	RF/TF/SF-30/75	261R04866
RF/TF-90	261R08264†	RF/TF-90	261R05412
TF-100/400	261R04867	TF-100/400	261R04868
TF-350/400*	261R04869	TF-175/300**	261R04952

\*For units manufactured prior to June 13, 2001, equipped with White Rodgers gas valve.

\*\*For units manufactured prior to June 13, 2001, equipped with 1/2" inlet and 3/4" outlet Honeywell smart valve.

†Universal Kit - converts both hot surface and direct spark ignition systems.  
Refer to Installation Manual for high altitude conversions (above 2,000 feet).

## UNIT SIZE 90 ONLY (“RF” & “TF”) - FAN MOTOR/FAN GUARD/FAN

Unit Size	Fan Motor		Fan Guard		Fan (Propeller)
	Standard (ODP)	Optional (TE)	Standard	OSHA	
<i>For Units Manufactured Prior to November, 2006</i>					
90	J31R04091**	J31R01872**	253R01873-001**	J32R04840**‡	NLA - see below *
90 Only*	Fan Kits with ODP Motor		253R08358-001†	253R08358-002†‡	New Fan Kits***
	Fan Kits with TE Motor		253R08358-003†	253R08358-004†‡	
<i>For Units Manufactured After November, 2006</i>					
90	J31R04092	J31R01694	J32R08278	253R08290‡	J34R06999-102

\* Fan (propeller) replacements on units manufactured prior to November 2006 require a new Fan Kit.

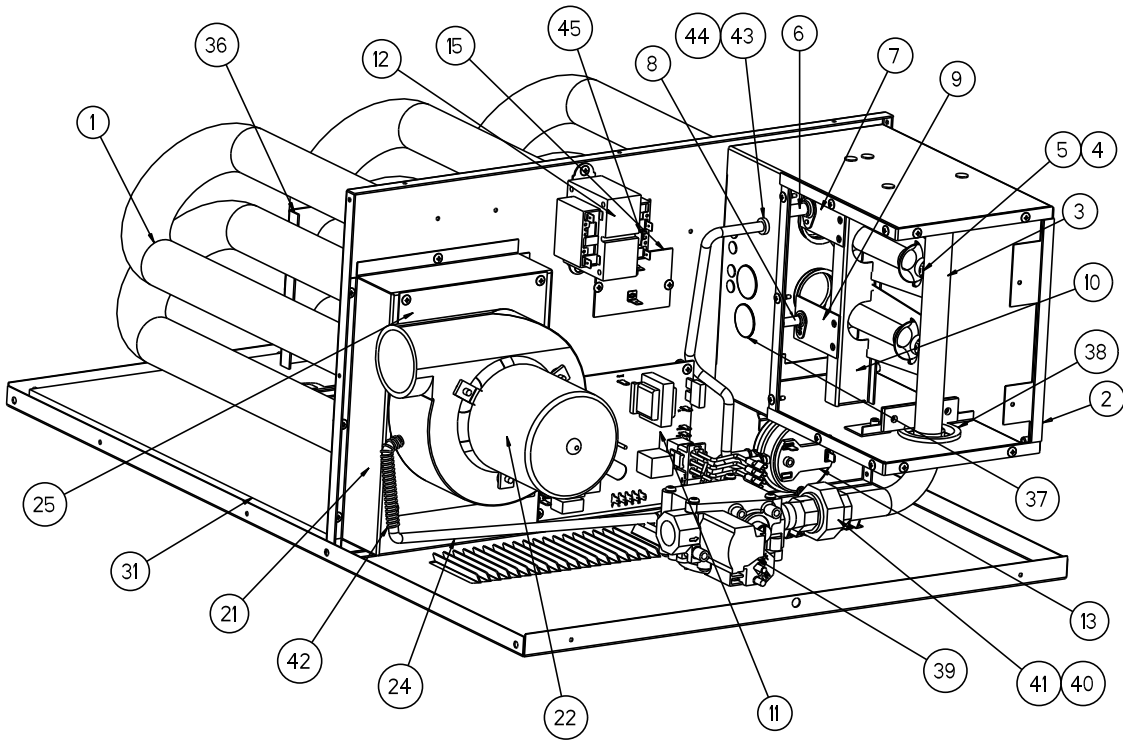
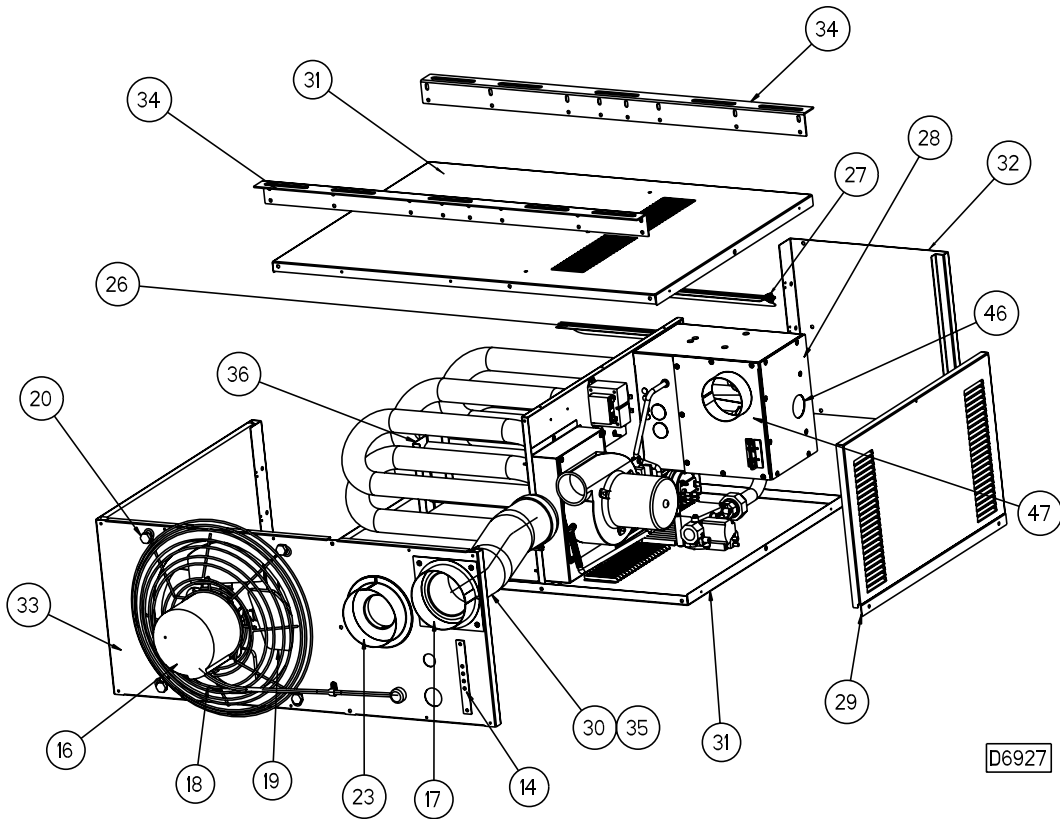
\*\* If fan is also to be replaced, use new fan kit for complete replacement.

\*\*\* New Fan Kit contains: larger motor with 1/2" diameter shaft, fan and guard. FLA will increase to 6.7 amp.

† New kits required to replace old 3/8" bore fan blade with new 1/2" bore fan blade, motor and guard.

‡ OSHA guard required on all RF models; optional on TF models.

# MODEL "SF" 30-75 MBH "SEPARATED COMBUSTION" REPLACEMENT PARTS FOR UNITS WITH DIRECT SPARK IGNITION



# MODEL "SF" 30-75 MBH "SEPARATED COMBUSTION" REPLACEMENT PARTS FOR UNITS WITH DIRECT SPARK IGNITION

ITEM NO.	"SF" MODEL SIZE (MBH)		30	45	60	75
	ITEM DESCRIPTION		PART NO.			
	NO. OF TUBES, BURNERS ORIFICES REQ'D PER MODEL		2	3	4	5
1	VESTIBULE PANEL/TUBE ASS'Y (HEAT EXCHANGER)		507R06685-001	507R06686-001	507R06687-001	507R06688-001
2	BURNER BOX SUB-ASS'Y		502R06419		502R06420	
3	MANIFOLD		J37R04684-030	J37R04684-045	J37R04684-060	J37R04684-075
4	INSHOT BURNER		J37R04693			
5	STANDARD ORIFICE	NATURAL GAS (#49)	J36R04694-001			
		PROPANE (LP) GAS (#57)	512R08532-002			
6	SPARK IGNITOR*		J38R06891-001			
7	SPARK IGNITOR BRACKET*		252R06949			
8	FLAME SENSOR*		J38R06890-001			
9	FLAME SENSOR BRACKET*		252R06950			
10	BURNER BRACKET		252R06532	252R06533	252R06534	252R06535
11	CONTROL BOARD*		J28R06881			
12	TRANSFORMER, 50 VA, 115/24V		J14R03245-012			
13	AIR PRESSURE SWITCH – STD ALT (0-4,999 FT)		J11R06778-002			
13	AIR PRESSURE SWITCH – HIGH ALT (5,000 FT+)		J11R06778-002			
14	TERMINAL BLOCK PLATE		J09R04609			
15	HIGH LIMIT SWITCH W/ MOUNTING PLATE		J11R04768			
16	FAN MOTOR (ODP)		J31R04766			J31R04091
17	INLET AIR COLLAR ASS'Y		257R06621			
18	OSHA FAN GUARD (SIZES 60 & UP, INCL. A MOTOR MTG. PLATE)		J32R04884		J32R04840	
19	STANDARD FAN		J34R06999-001	J34R06999-002	J34R06999-101	
20	FAN / GUARD / MOTOR MOUNT HARDWARE KIT		261R04963-001		261R04963-002	
21	**FLUE COLLECTOR		507R04696-030	507R04697-045	507R04698-060	507R04699-075
22	POWER VENTER (DRAFTER) ASS'Y		J35R04700			
23	FLUE COLLAR ASS'Y		507R04725			
24	VINYL TUBING (PRESSURE SWITCH)		261R04964-001			
25	POWER VENTER MOUNTING PLATE		507R04876			
26	LOUVER (QTY. REQ'D PER MODEL)		257R04587-011 (3)		257R04587-011 (5)	
27	LOUVER SPRINGS (QTY. REQ'D PER MODEL)		J26R01960 (3)		J26R01960 (5)	
28	BURNER BOX FRONT PANEL		251R06609		251R06610	
29	SERVICE PANEL		251R04718		251R04719	
30	HOSE CLAMP (2 PER UNIT)		J40R01745-014			
31	TOP / BOTTOM PANEL W / INSULATION		251R04702			
32	FRONT JACKET PANEL		251R04713		251R04714	
33	REAR / SIDE JACKET PANEL		251R06629		251R06630	
34	HANGER (FRONT AND REAR)		252R04730			
35	INLET AIR HOSE		H07R06627			
36	TUBE SUPPORT BRACKET KIT		261R06577-030	261R06577-045	261R06577-060	261R06577-075
37	METAL HOLE PLUG		J07R06593			
38	LARGE GROMMET		J07R02872-001			
39	DIRECT SPARK GAS VALVE, SINGLE STAGE*	NATURAL GAS	J28R06892-001			
		PROPANE (LP) GAS	J28R06892-002			
40	PIPE UNION		J40R00605-003			
41	PIPE NIPPLE		J40R00601-001			
42	SPRING		J26R06480			
43	PRESSURE TAP FITTING		J40R02876-001			
44	PRESSURE TAP FITTING NUT		J23R01130-017			
45	GREEN GROUND SCREW		J21R01287			
46	BURNER BOX VIEW PORT PANEL		251R06614		251R06615	
47	BURNER BOX INLET AIR PANEL (INCLUDES WIRE SEAL BRACKETS)		251R06616		251R06617	
N/S	IGNITION CABLE – 36 INCHES LONG*		J28R06971-002			
N/S	MOLEX CONNECTOR ASSEMBLY*		J09R06887			
N/S	MANIFOLD MOUNTING ANGLE (2 PER UNIT)		252R06423			
N/S	FLAME SENSOR WIRE – 21 INCHES LONG*		260R08248-001			

**Notes:**

\* See page 13 for units manufactured prior to 1/1/06.

\*\* When replacing a flue collector, make sure that the flue collector box is sealed completely to the vestibule panel using RTV Sealant.

N/S - Part not shown or numbered.

# MODELS "TF" & "RF" 30-90 MBH "LOW PROFILE" REPLACEMENT PARTS FOR UNITS WITH DIRECT SPARK IGNITION

Figure 1

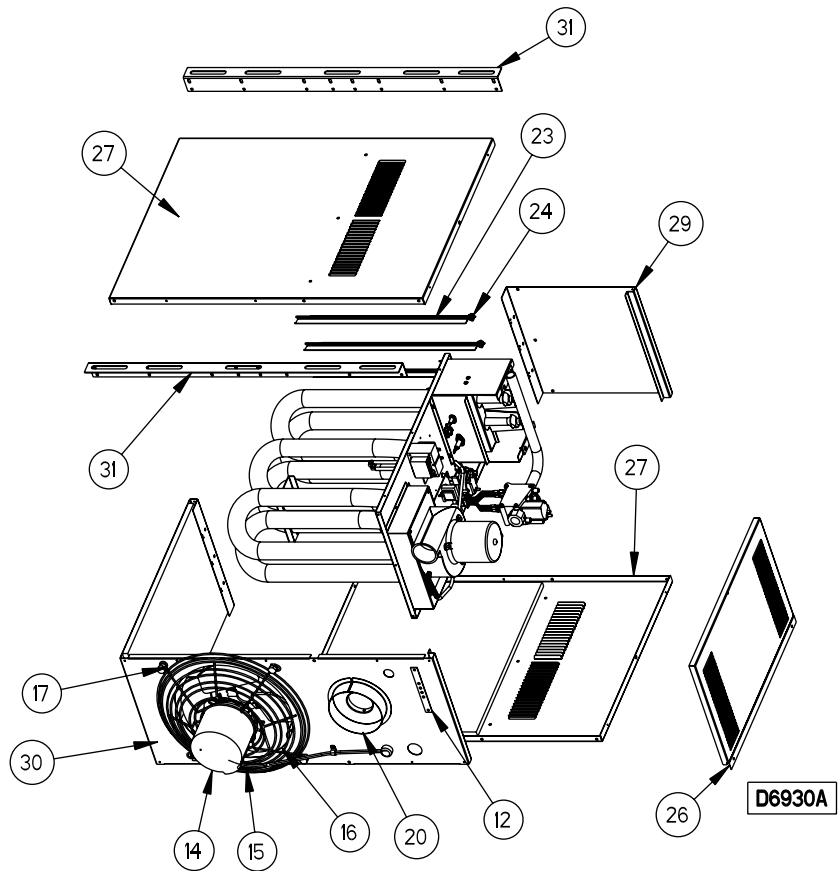
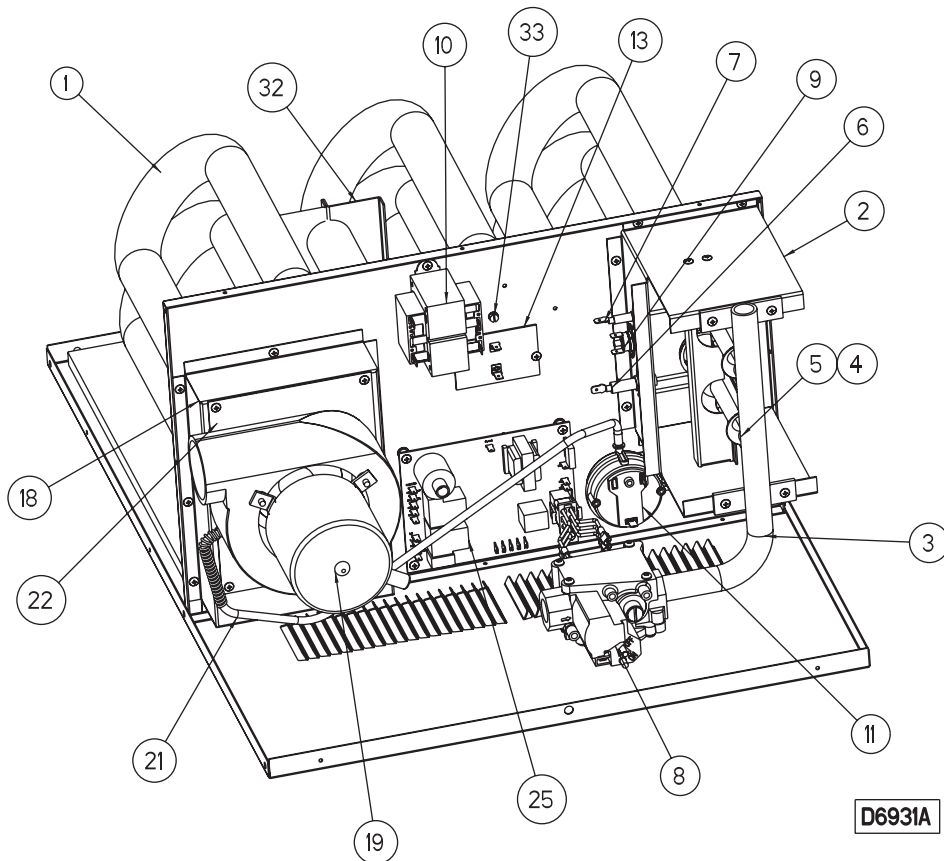


Figure 2



# MODELS “TF/RF” 30-90 MBH “LOW PROFILE” REPLACEMENT PARTS FOR UNITS WITH DIRECT SPARK IGNITION

ITEM NO.	“TF”/“RF” MODEL SIZE (MBH)		30	45	60	75	90	
	ITEM DESCRIPTION		PART NO.					
	NO. OF TUBES, BURNERS ORIFICES REQ'D PER MODEL		2	3	4	5		
1	VESTIBULE PANEL/TUBE ASS'Y (HEAT EXCHANGER)		507R04672	507R04673	507R04674	507R04675		
2	MANIFOLD BRACKET SUB-ASS'Y		261R04961-030	261R04961-045	261R04961-060	261R04961-075		
3	MANIFOLD		J37R04684-030	J37R04684-045	J37R04684-060	J37R04684-075		
4	INSHOT BURNER		J37R04693					
5	STANDARD ORIFICE	NATURAL GAS DRILL SIZE (#49)	J36R04694-001				J36R04694-006 (#47)	
		PROPANE (LP) GAS DRILL SIZE (#57)	512R08532-002				512R08532-003 (#1.20MM)	
6	SPARK IGNITOR*		J38R06891-002					
7	FLAME SENSOR*		J38R06890-002					
8	DIRECT SPARK GAS VALVE, SINGLE STAGE*	NATURAL GAS	J28R06892-001					
		PROPANE (LP) GAS	J28R06892-002					
9	MANUAL ROLLOUT SAFETY SWITCH [RF UNIT TYPE ONLY]		J11R04849					
10	TRANSFORMER, 50 VA, 115/24		J14R03245-012					
11	AIR PRESSURE SWITCH – STD ALT (0-4,999 FT)		J11R06779-001				J11R06779-002	
11	AIR PRESSURE SWITCH – HIGH ALT (5,000 FT+)		J11R06780-001				J11R06780-002	
12	TERMINAL BLOCK PLATE		J09R04609					
13	HIGH LIMIT SWITCH W/ MOUNTING PLATE		J11R04768					
14	FAN MOTOR (ODP)		J31R04766	J31R04091			See Page 3	
15	STANDARD FAN GUARD [TF MODELS]		J32R04723	253R01873-001			See Page 3	
15	OSHA FAN GUARD***		J32R04884	J32R04840			See Page 3	
16	STANDARD FAN		J34R06999-001	J34R06999-002	J34R06999-101		See Page 3	
17	FAN/GUARD/MOTOR MOUNT HARDWARE KIT		261R04963-001		261R04963-002			
18	**FLUE COLLECTOR		507R04696-030	507R04697-045	507R04698-060	507R04699-075	507R04942-090	
19	POWER VENTER (DRAFTER) ASS'Y		J35R04700				J35R04581	
20	FLUE COLLAR ASSEMBLY		507R04725				507R04946	
21	VINYL TUBING (PRESSURE SWITCH)		261R04964-001					
21	SPRING (FOR VINYL TUBING)		J26R06480					
22	POWER VENTER MOUNTING PLATE		507R04876				N/A	
23	LOUVER [QTY. REQ'D PER MODEL]		257R04587-011 [3]		257R04587-011 [5]			
24	LOUVER SPRING [QTY. REQ'D PER MODEL]		J26R01960 [3]		J26R01960 [5]			
25	CONTROL BOARD*		J28R06881					
26	SERVICE PANEL		251R04718		251R04719			
27	TOP/BOTTOM PANEL W/ INSULATION		251R04702					
29	FRONT JACKET		251R04713		251R04714			
30	REAR/SIDE JACKET PANEL		251R06467		251R06468-001		251R06468-002	
31	HANGER (FRONT AND REAR)		252R04730					
32	TUBE SUPPORT BRACKET KIT		261R06577-030	261R06577-045	261R06577-060	261R06577-075		
33	GREEN GROUND SCREW		J21R01287					
N/S	IGNITION CABLE – 14 INCHES LONG*		J28R06971-001					
N/S	MOLEX CONNECTOR ASSEMBLY*		J11R06887-001					
N/S	BURNER BRACKET		252R04689	252R04690	252R04691	252R04692		
N/S	FLAME SENSOR WIRE – 21 INCHES LONG*		260R08248-001					

**Notes:**

\* See page 13 for units manufactured prior to 1/1/06.

\*\* When replacing a flue collector, make sure that the flue collector box is sealed completely to the vestibule panel using RTV Sealant.

\*\*\* All OSHA guards size 60 & up, include a motor mtg. plate. Required on RF models; optional on TF models.

N/S - Part not shown or numbered.



# MODEL "TF" 100-400 MBH REPLACEMENT PARTS FOR UNITS WITH DIRECT SPARK IGNITION

Figure 6  
Vestibule Panel/Tube Assembly  
(Heat Exchanger)

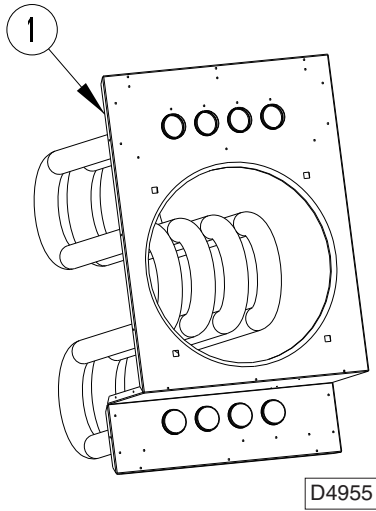


Figure 7  
Electrical Control Panel

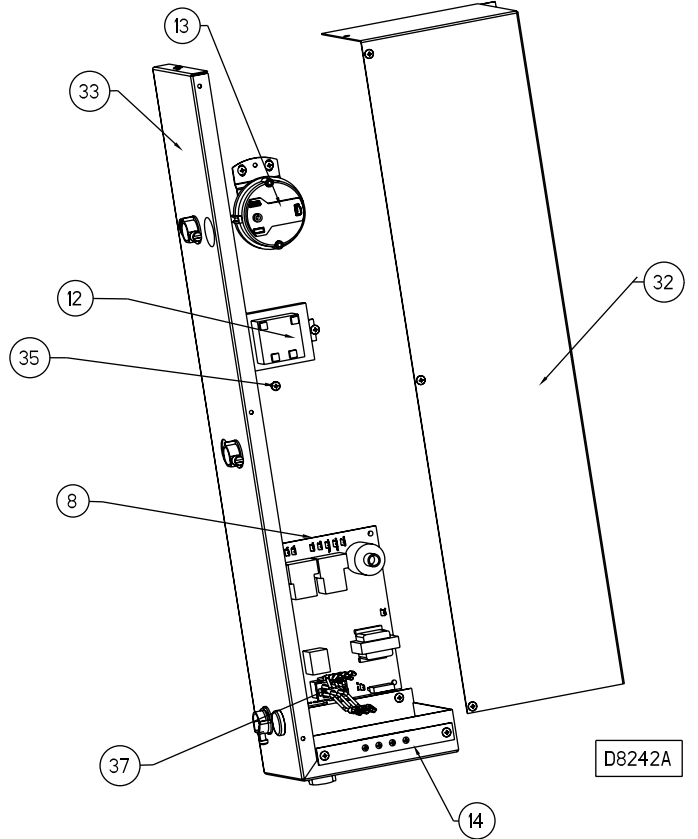
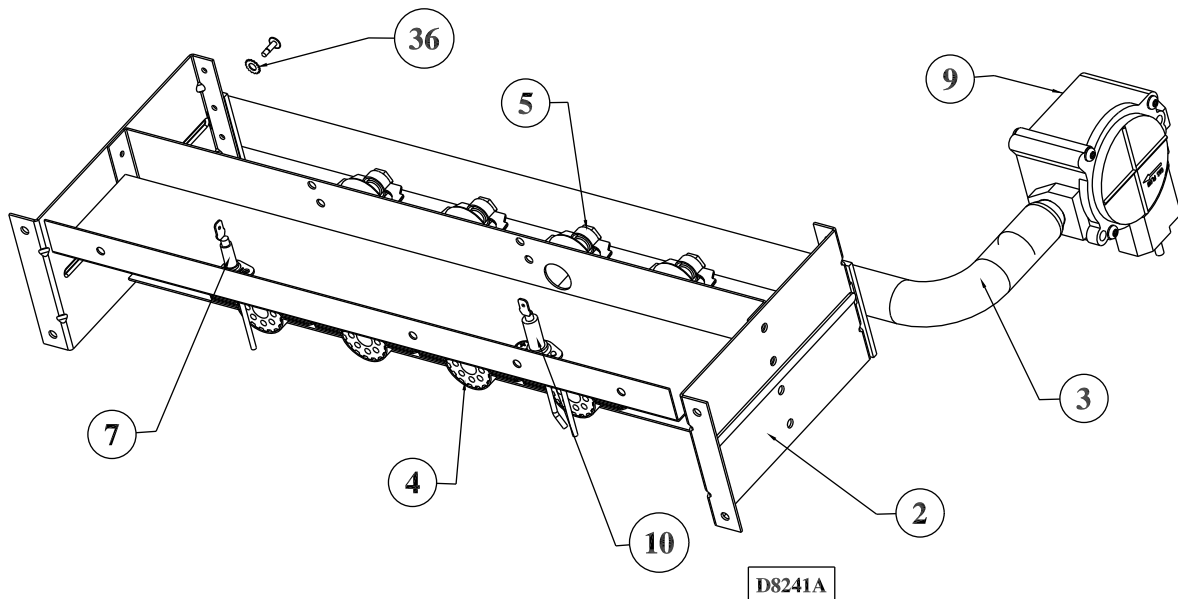


Figure 8  
Manifold Burner Assembly



# MODEL "TF" 100-400 MBH REPLACEMENT PARTS FOR UNITS WITH DIRECT SPARK IGNITION AND STANDARD OPEN DRIP-PROOF MOTORS†

ITEM NO.	"TF" MODEL SIZE (MBH)		100	125
	ITEM DESCRIPTION		PART NO.	
	NO. OF TUBES, TURBULATORS, BURNERS, ORIFICES REQ'D PER MODEL		4	5
1	VESTIBULE PANEL/TUBE ASS'Y (HEAT EXCHANGER)	ALUMINUM	507R04567-004	507R04568-004
		409 STAINLESS STEEL	507R04567-104	507R04568-104
2	MANIFOLD BRACKET SUB-ASS'Y		261R04965-004	
3	MANIFOLD		J37R04277	J37R04278
4	INSHOT BURNER		J37R03935	J37R03935
5	STANDARD ORIFICE	NATURAL GAS, (#42)	J36R04694-028	
		PROPANE (LP) GAS, (#53)	512R08532-013	
7	FLAME SENSOR*		J38R06890-003	
8	CONTROL BOARD*		J28R06881	
9	DIRECT SPARK GAS VALVE, SINGLE STAGE*	NATURAL GAS	J28R06892-001	
		PROPANE (LP) GAS	J28R06892-002	
	DIRECT SPARK GAS VALVE, TWO STAGE*	NATURAL GAS	J28R06894-001	
		PROPANE (LP) GAS	J28R06894-002	
10	SPARK IGNITOR*		J38R06891-001	
12	TRANSFORMER, 50 VA, 115/24		J14R03245-012	
13	AIR PRESSURE SWITCH – STD ALT (0-4,999 FT)		J11R06779-001	
13	AIR PRESSURE SWITCH – HIGH ALT (5,000 FT+)		J11R06780-001	
14	TERMINAL BLOCK PLATE		J09R04609	
15	HIGH LIMIT SWITCH [QTY. REQ'D PER MODEL]		J11R00306-002 [1]	
16	HIGH LIMIT BRACKET [QTY. REQ'D PER MODEL]		252R04469 [1]	
17	FAN MOTOR (ODP) [QTY. REQ'D PER MODEL]		J31R04092 [1]	J31R04093-002 [1]
18	STANDARD FAN GUARD [QTY. REQ'D PER MODEL]		253R01873-001 [1]	
	OSHA FAN GUARD [QTY. REQ'D PER MODEL] OSHA GUARD SIZES 60 & UP INCL. A MOTOR MTG. PLATE		J32R04840 [1]	
19‡	STANDARD FAN BLADE [QTY. REQ'D PER MODEL] - FOR UNITS MFD. <b>PRIOR</b> TO 4/30/07		J34R06999-104 [1]	253R08414-001 [1]†
19	STANDARD FAN BLADE [QTY. REQ'D PER MODEL] - FOR UNITS MFD. <b>AFTER</b> 4/30/07		J34R06999-104 [1]	
20	FAN/GUARD/MOTOR MOUNT HARDWARE KIT [QTY. REQ'D PER MODEL]		261R04963-002 [1]	
21	**FLUE COLLECTOR		507R03918-004	507R03918-005
22	***POWER VENTER (DRAFTER) ASS'Y		J35R04700	
23	FLUE COLLAR ASSEMBLY		257R05062	
24	VINYL TUBING (PRESSURE SWITCH)		261R04964-002	
25	TURBULATOR		501R03893	
26	LOUVER [8 REQ'D PER MODEL]		257R04587-008	
27	LOUVER SPRING [8 REQ'D PER MODEL]		J26R01960	
28	RIGHT SIDE JACKET PANEL W/ INSULATION		261R04966	
29	LEFT SIDE JACKET PANEL W/ INSULATION		261R04967	
30	TOP JACKET PANEL W/ INSULATION		261R04968-004	
31	BOTTOM JACKET PANEL W/ INSULATION		261R04969-004	
32	ELECTRICAL CONTROL BOX COVER		257R03888	
33	ELECTRICAL CONTROL BOX BASE (WRAPPER)		257R03889	
34	PEEP HOLE BURNER COVER ASSEMBLY		261R05411-004	
35	GREEN GROUND SCREW		J21R01287	
36	WASHER (4 PER UNIT)		J24R00326-005	
37	MOLEX CONNECTOR ASSEMBLY*		J09R06887	
N/S	IGNITION CABLE – 36 INCHES LONG*		J28R06971-002	

**Notes:**

\* See page 13 for units manufactured prior to 1/1/06.

\*\* When replacing a flue collector, make sure that the flue collector box is sealed completely to the vestibule panel using RTV Sealant.

\*\*\* Unit sizes 100, 125, 150 require power vent mounting plate 507R04876.

† For fan blade replacements on units with optional Totally Enclosed (TE) motors, see page 12.

‡ Standard fan blade part numbers beginning with "253" are "kits" and include a standard ODP fan motor and fan blade supplied in (2) boxes.

N/S - Part not shown.

# MODEL "TF" 100-400 MBH REPLACEMENT PARTS FOR UNITS WITH DIRECT SPARK IGNITION AND STANDARD OPEN DRIP-PROOF MOTORS†

150	175	200	250	300	350	400	ITEM NO.
PART NO.							
6	7	8	10	12	14	16	
507R04569-004	507R04570-004	507R04571-004	507R04572-004	507R04573-004	507R04574-004	507R04575-004	1
507R04569-104	507R04570-104	507R04571-104	507R04572-104	507R04573-104	507R04574-104	507R04575-104	
261R04965-004	261R04965-007			261R04965-012			2
J37R04278	J37R04279	J37R04279	J37R04280	J37R04281	J37R04282	J37R04283	3
J37R03935	J37R03935	J37R03935	J37R03935	J37R03935	J37R03935	J37R03935	4
J36R04694-028							5
512R08532-013							
J38R06890-003							7
J28R06881							8
J28R06892-001			J28R06893-001				9
J28R06892-002			J28R06893-002				
J28R06894-001			J28R06895-001				
J28R06894-002			J28R06895-002				
J38R06891-001							10
J14R03245-012							12
J11R06779-001	J11R06779-002			J11R06779-001			13
J11R06780-001	J11R06780-002			J11R06780-001			13
J09R04609							14
J11R00306-002 [1]				J11R00306-002 [2]			15
252R04469 [1]				252R04469 [2]			16
J31R04093-002 [1]	J31R04094-002 [1]			J31R04093-002 [2]	J31R04094-002 [2]		17
253R01873-001 [1]	253R01874-001 [1]			253R01873-001 [2]	253R01874-001 [2]		18
J32R04840 [1]	J32R04843 [1]			J32R04840 [2]	J32R04843 [2]		18
253R08414-001 [1]†	J34R06999-105 [1]	J34R06999-112 [1]		253R08414-001 [2]†	J34R06999-105 [2]	J34R06999-112 [2]	19†
J34R06999-104 [1]	J34R06999-105 [1]	J34R06999-112 [1]		J34R06999-104 [2]	J34R06999-105 [2]	J34R06999-112 [2]	19
261R04963-002 [1]				261R04963-002 [2]			20
507R03918-006	507R03920-007	507R03920-008	507R03920-010	507R03922-012	507R03922-014	507R03922-016	21
J35R04700	J35R04581			507R04595			22
257R05062	507R04532			507R04600			23
261R04964-002	261R04964-003			261R04964-004			24
501R03893							25
257R04587-008	257R04587-009			257R04587-010			26
J26R01960							27
261R04966							28
261R04967							29
261R04968-004	261R04968-007			261R04968-012			30
261R04969-004	261R04969-007			261R04969-012			31
257R03888							32
257R03889							33
261R05411-004	261R05411-007			261R05411-012			34
J21R01287							35
J24R00326-005							36
J09R06887							37
J28R06971-002			J28R06971-002				N/S

# MODEL "TF/RF" REPLACEMENT PARTS

<b>"TF"/"RF" FIELD INSTALLED OPTIONS AND THERMOSTATS</b>	
<b>DESCRIPTION</b>	<b>PART NO.</b>
PRESSURE REGULATOR (125 PSI TO 7") NATURAL GAS	J28R05121
T87K 1-STAGE MERCURY-FREE THERMOSTAT (INCLUDES SUBBASE)	J13R08300
T834N 1-STAGE W/FAN SWITCH (STERLING LOGO) MERCURY-FREE THERMOSTAT	ASRG3
TH5220D 2-STAGE MERCURY-FREE THERMOSTAT (INCLUDES SUBBASE)	J13R08301
T6169C 1-STAGE LINE VOLTAGE (115V) THERMOSTAT W/SUBBASE	J13R03362
T822D 1-STAGE THERMOSTAT	J13R00811
TG511A UNIVERSAL THERMOSTAT GUARD	J13R00954
24V SPST RELAY	<a href="#">J10R00818-003</a>
VENT CAP 4"	J37R02222-001
VENT CAP 5"	J37R02222-002
VENT CAP 6"	J37R02222-003
30 DEGREE NOZZLE KIT (100-150)	ASRX2-001
30 DEGREE NOZZLE KIT (175-250)	ASRX2-002
30 DEGREE NOZZLE KIT (300-400)	ASRX2-003
60 DEGREE NOZZLE KIT (100-150)	ASRX3-001
60 DEGREE NOZZLE KIT (175-250)	ASRX3-002
60 DEGREE NOZZLE KIT (300-400)	ASRX3-003
90 DEGREE NOZZLE KIT (100-150)	ASRX4-001
90 DEGREE NOZZLE KIT (175-250)	ASRX4-002
90 DEGREE NOZZLE KIT (300-400)	ASRX4-003
VERTICAL LOUVER KIT (TF100-150)	ASRX5-004
VERTICAL LOUVER KIT (TF175-250)	ASRX5-007
VERTICAL LOUVER KIT (TF300-400)	ASRX5-012
HIGH ALTITUDE* PRESSURE SWITCH (30, 45, 60, 75, 100, 125, 150, 300, 350, 400)	J11R06780-001
HIGH ALTITUDE* PRESSURE SWITCH (90, 175, 200, 250)	<a href="#">J11R06780-002</a>
CONCENTRIC VENT KIT (SF UNITS ONLY)	ASRX6
TOTALLY ENCLOSED MOTOR (UNIT SIZES 60, 75 AND ON SIZE 90 UNITS MFD. <b>PRIOR</b> TO 11/06)	J31R01872
TOTALLY ENCLOSED MOTOR (UNIT SIZE 100)	J31R03086
TOTALLY ENCLOSED MOTOR (UNIT SIZES 125-400 AND ON UNIT SIZE 90 MFD. <b>AFTER</b> 11/06)	J31R01694
**TOTALLY ENCLOSED MOTOR/FAN KIT - TF125, 150, 300 [2] - FOR UNITS MFD. <b>PRIOR</b> TO 3/2/07	253R08414-002
**TOTALLY ENCLOSED MOTOR/FAN KIT - TF175, 350 [2] - FOR UNITS MFD. <b>PRIOR</b> TO 3/2/07	253R08415-002
**TOTALLY ENCLOSED MOTOR/FAN KIT - TF200, 250, 400 [2] - FOR UNITS MFD. <b>PRIOR</b> TO 3/2/07	253R08416-002

\*For units operating at elevations of 5,000-11,999 ft.

\*\* Fan blade replacement kit and includes a (TE) motor, supplied in (2) boxes.

For units manufactured **AFTER** 3/2/07, use fan blade part numbers from pages 10 and 11 (Item No "19").

# MODELS WITH HOT SURFACE IGNITION

For Units Manufactured Prior to January 1, 2006

## MODEL "SF" 30-75 MBH – SEPARATED COMBUSTION

ITEM DESCRIPTION		SIZE/RANGE	PART NO.
PILOT BURNER ASSEMBLY	NATURAL GAS	30-75	J38R03421-001
	PROPANE (LP) GAS	30-75	J38R03421-002
PILOT MOUNTING BRACKET		30-75	252R06603
PILOT TUBING		30 & 60	257R06605
		45 & 75	257R06604
HONEYWELL SV9540 GAS VALVE, SINGLE STAGE	NATURAL GAS	30-75	J28R04979-001
	PROPANE (LP) GAS	30-75	J28R04979-002
FAN TIME DELAY SWITCH		30-75	J11R00366
DRAFTOR RELAY*		30-75	J10R03410
SMALL GROMMET		30-75	J07R02872-004
WIRE HARNESS FOR SV9540 VALVE		30-75	260R05001

\*A draftor relay is not required when unit is equipped with a Honeywell SV9540 Gas Valve (the relay function is built into the control).

## MODELS "TF/RF" 30-90 MBH – LOW PROFILE

ITEM DESCRIPTION		SIZE/RANGE	PART NO.
PILOT BURNER ASSEMBLY	NATURAL GAS	30-90	J38R03421-001
	PROPANE (LP) GAS	30-90	J38R03421-002
PILOT MOUNTING BRACKET		30-90	252R04737
PILOT TUBING		30 & 60	261R04962-001
		45, 75, 90	261R04962-002
HONEYWELL SV9500M† GAS VALVE, SINGLE STAGE	NATURAL GAS	30-90	J28R05042-001
	PROPANE (LP) GAS	30-90	J28R05042-002
HONEYWELL SV9540M GAS VALVE, SINGLE STAGE	NATURAL GAS	30-90	J28R04979-001
	PROPANE (LP) GAS	30-90	J28R04979-002
FAN TIME DELAY SWITCH		30-90	J11R00366
DRAFTOR RELAY*		30-90	J10R03410
WIRE HARNESS FOR SV9540 VALVE (RF UNITS)		30-90	260R05001
WIRE HARNESS FOR SV9540 VALVE (TF UNITS)		30-90	260R05052
WIRE HARNESS FOR SV9500 VALVE "CONTROL" (TF UNITS)		30-90	260R04794-001

\*A draftor relay is not required when unit is equipped with a Honeywell SV9540 or SV9640 Gas Valve (the relay function is built into the control).

†Replacement Valve is a Honeywell SV9501 Series.

## MODEL "TF" 100-400 MBH

ITEM DESCRIPTION		SIZE/RANGE	PART NO.
PILOT BURNER ASSEMBLY "C2"	NATURAL GAS	100-400	J38R03421-001
	PROPANE (LP) GAS	100-400	J38R03421-002
	NATURAL GAS (WHITE-RODGERS VALVE)*	350, 400	J38R04578-001
PILOT MOUNTING BRACKET		100-400	252R03892
PILOT TUBING	LENGTH = 24"	100-250	261R04962-003
	LENGTH = 28"	300-400	261R04962-004
HONEYWELL SV(9500/9600) GAS VALVE, SINGLE STAGE	NATURAL GAS	100-150	J28R05042-001
		175-300	J28R05043-003**
	PROPANE (LP) GAS	100-150	J28R05042-002***
		175-300	J28R05043-002**
		350, 400	J28R05043-004
HONEYWELL SV(9540/9640) GAS VALVE, SINGLE STAGE	NATURAL GAS	100-150	J28R04979-001
		175-400	J28R04980-003
	PROPANE (LP) GAS	100-150	J28R04979-002
		175-300	J28R04980-002
		175-400	J28R04980-004
WHITE-RODGERS GAS VALVE, SINGLE STAGE*	NATURAL GAS	350, 400	J28R00742
IGNITOR, NATURAL GAS		350, 400	J28R02722
FAN TIME DELAY SWITCH		100-400	J11R00366
DRAFTOR RELAY†		100-400	J10R03410
WIRE HARNESS FOR SV9540 OR SV9640 VALVE "C1"		100-400	260R05002
WIRE HARNESS FOR SV9540 OR SV9460 VALVE "C3"		100-400	260R05361
WIRE HARNESS FOR SV9500 OR SV9600 VALVE "CONTROL"		100-300	260R04629-001

\*For units manufactured prior to June 13, 2001 (sizes 350 and 400 only).

\*\*Replacement Valve is SV9601 Series.

\*\*\*Replacement Valve is SV9501 Series.

†A draftor relay is not required when unit is equipped with a Honeywell SV9540 or SV9640 Gas Valve (the relay function is built into the control).



# TERMS

**ALL SHIPMENTS ARE F.O.B. FARMVILLE, N.C.**  
FREIGHT ROUTING SHALL BE AT THE DISCRETION OF THE SHIPPER

**PRICES:** Published trade prices in effect at time of receipt of order at our office are firm provided the complete order is released for fabrication and shipment within 6 months from date of receipt of written order at the factory. Releases for shipment after 6 months will be billed on the basis of trade prices in effect at time of release.

No obligation is assumed by this Corporation to sell, to anyone holding this book, any of the items listed herein at the prices stated.

**TERMS:** Net 30 Days.

Prepaid freight or cartage charges paid by us and added to invoice are not subject to cash discount.

**TAXES:** The prices listed herein exclude Federal, State, or Municipal Tax applicable to the transaction. Such taxes, where applicable to the transaction should be paid directly to the governing authority by the Purchaser.

**CLAIMS:** As all goods are shipped at buyer's risk they should be examined carefully before signing transportation delivery receipts. If transportation company tenders delivery of goods in bad order, buyer should insist on transportation agent making notation of conditions on delivery receipt and request an inspection within 48 hours, thus enabling buyer to secure prompt payment of transportation claims filed by him for value of damaged material.

The responsibility of this company ceases upon delivery of goods in order to transportation companies. All orders are accepted subject to delays on account of government requirements, strikes, accidents or other causes beyond our control.

**RETURNED GOODS:** Goods must not be returned except by written permission from the factory, and when so returned will be accepted only as stated in the following conditions:

1. Special material is not subject to return.
2. All transportation charges for returned goods must be prepaid by shipper.
3. Standard catalogued products may be returned upon written permission. After inspection at the factory, if they are found to be in good condition they will be accepted for credit, subject to a 25% handling charge.
4. No goods will be accepted for return more than 90 days after shipment.

**CHANGES TO A RELEASED ORDER** – Work commences on release of an order, therefore, an order that is changed will be subject to additional charges for any extra time and material expended.

## LIMITED WARRANTY

The product described in this catalog are warranted by Sterling, A Mestek Co. to be free from defects in material and workmanship for a period of one (1) year from the date of shipment from Sterling's plant.

Sterling will repair or replace, at its option, any components which, upon inspection, it finds to be defective, provided that the unit has been operated within its listed capacity, has been installed in accordance with the furnished instructions, has not been misused or subject to negligence and has received reasonable and necessary maintenance. This warranty does not cover labor costs or other cost incurred in repairing, removing, installing, servicing or handling of parts or complete products.


Sterling will in no event be liable for incidental or consequential damages of any kind whatsoever.

The buyer must request written permission from Sterling to return defective components and then must send them with all transportation charges prepaid to the plant designated in the written permission.

This warranty is extended only to the original purchaser from Sterling.



260 NORTH ELM ST. WESTFIELD, MA 01085  
(413) 564-5540 • FAX: (413) 562-5311  
[www.sterlinghvac.com](http://www.sterlinghvac.com)

 A MESTEK COMPANY