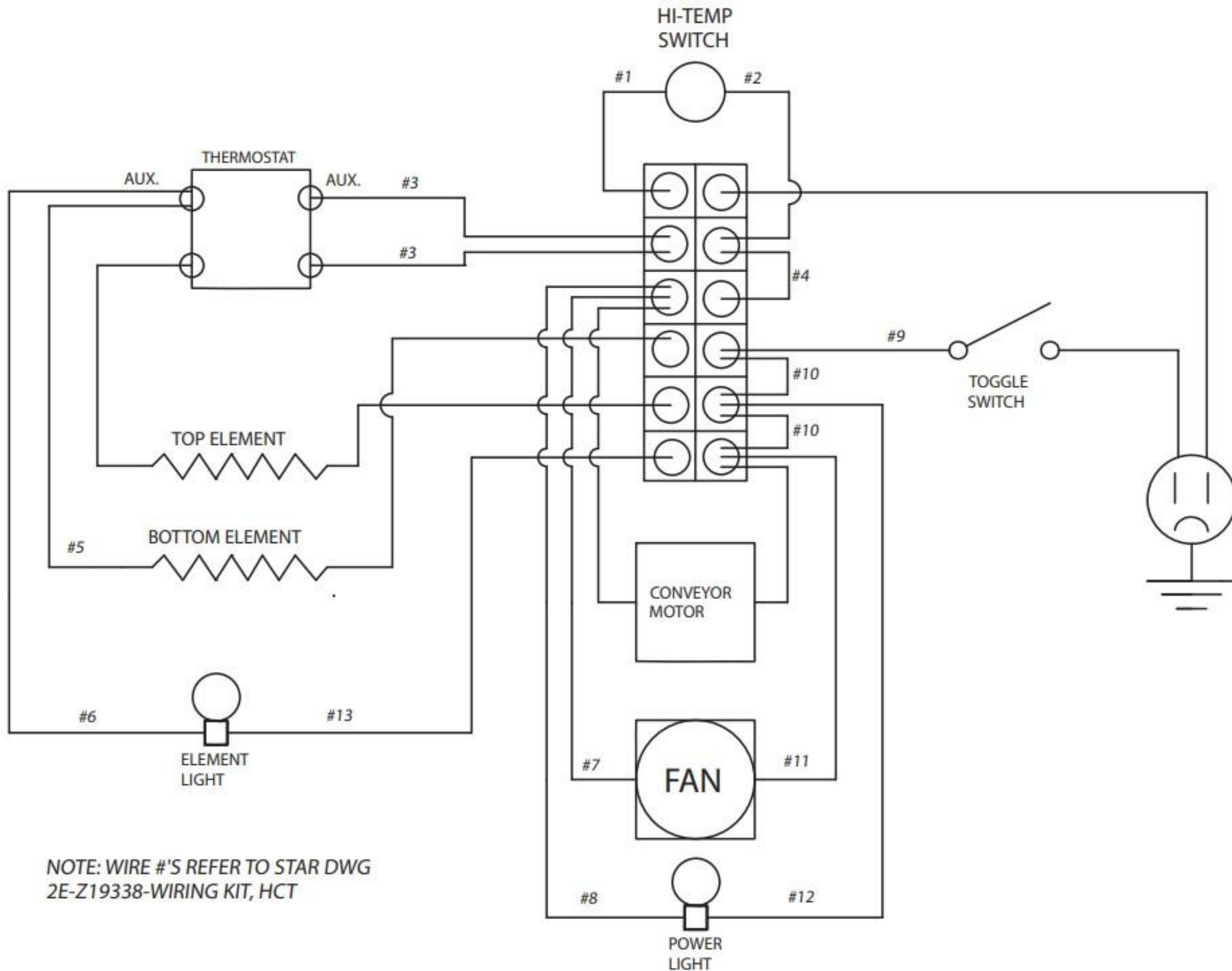


NOTE: WIRE #'S REFER TO STAR DWG  
2E-Z19338-WIRING KIT, HCT



NOTE: WIRE #'S REFER TO STAR DWG  
2E-Z19338-WIRING KIT, HCT