

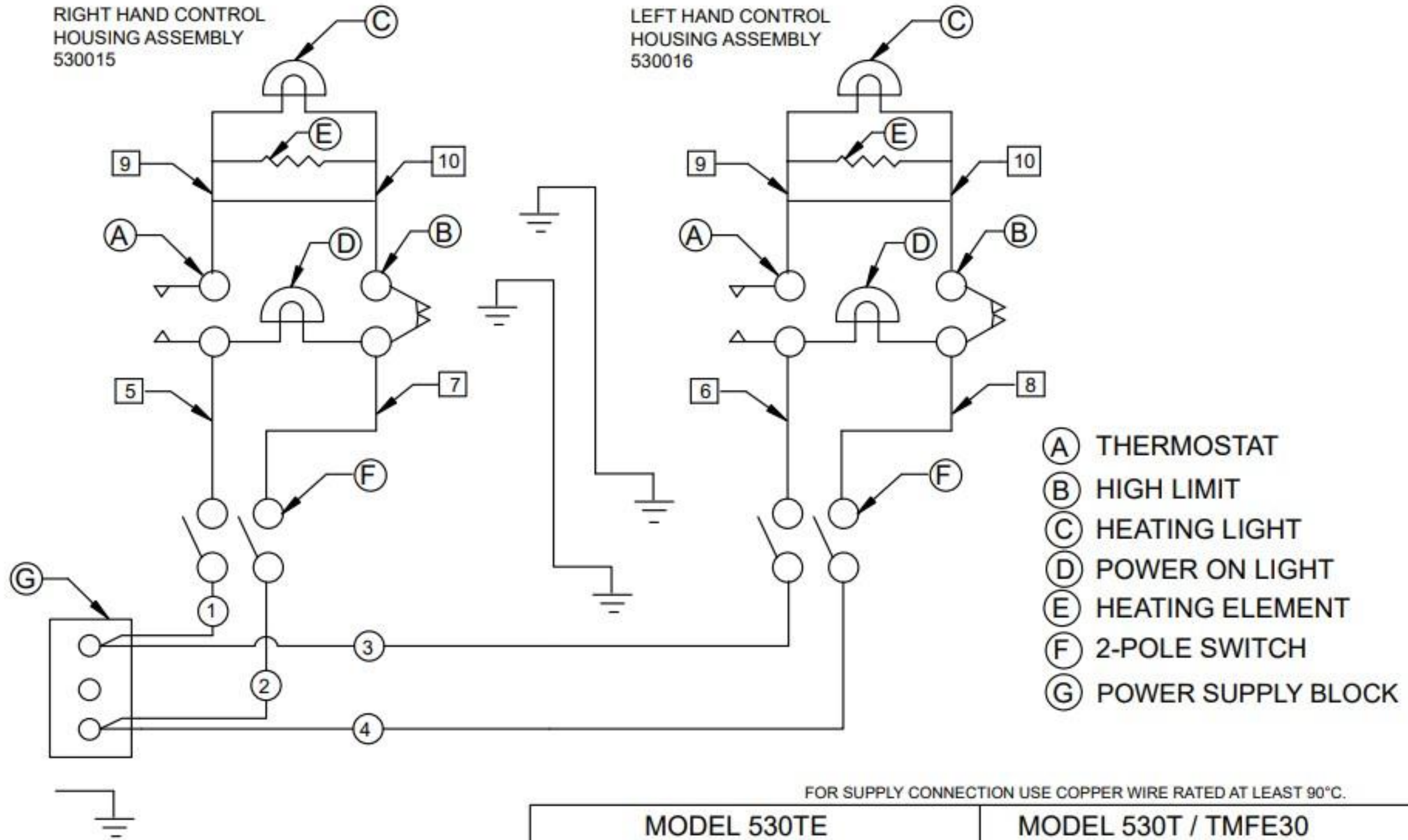
- NOTES:
1. LOOKING TOWARDS REAR OF ELEMENT CONTROL ASSEMBLY.
  2. LOOKING TOWARDS REAR OF THE SWITCH.
- (A) THERMOSTAT
  - (B) PILOT LIGHT
  - (C) HEATING ELEMENT
  - (D) WIRE NUT (2)
  - (E) HIGH LIMIT THERMOSTAT
  - (F) ON-OFF SWITCH (2 POLE)

NOTE: ALL POWER WIRES ARE #12 GAUGE  
 NEMA PLUG NUMBER 6-30P  
 CORD: 12AWG/3, SJTO 105 C, 250V  
 CORDSET ASSY# E3-301044

RATED WATTAGE	SINGLE PHASE	NOMINAL AMPS
4130	208V	19.9
5500	240V	22.9

RIGHT HAND CONTROL  
HOUSING ASSEMBLY  
530015

LEFT HAND CONTROL  
HOUSING ASSEMBLY  
530016



- (A) THERMOSTAT
- (B) HIGH LIMIT
- (C) HEATING LIGHT
- (D) POWER ON LIGHT
- (E) HEATING ELEMENT
- (F) 2-POLE SWITCH
- (G) POWER SUPPLY BLOCK

FOR SUPPLY CONNECTION USE COPPER WIRE RATED AT LEAST 90°C.

	MODEL 530TE		MODEL 530T / TMFE30	
	208V 1 PH.	240V 1 PH.	208V 1 PH.	240V 1 PH.
WATTS	6910	9200	8638	11500
AMPS	33.2	38.3	41.5	47.9
SUPPLY MIN AWG	#8	#8	#8	#6