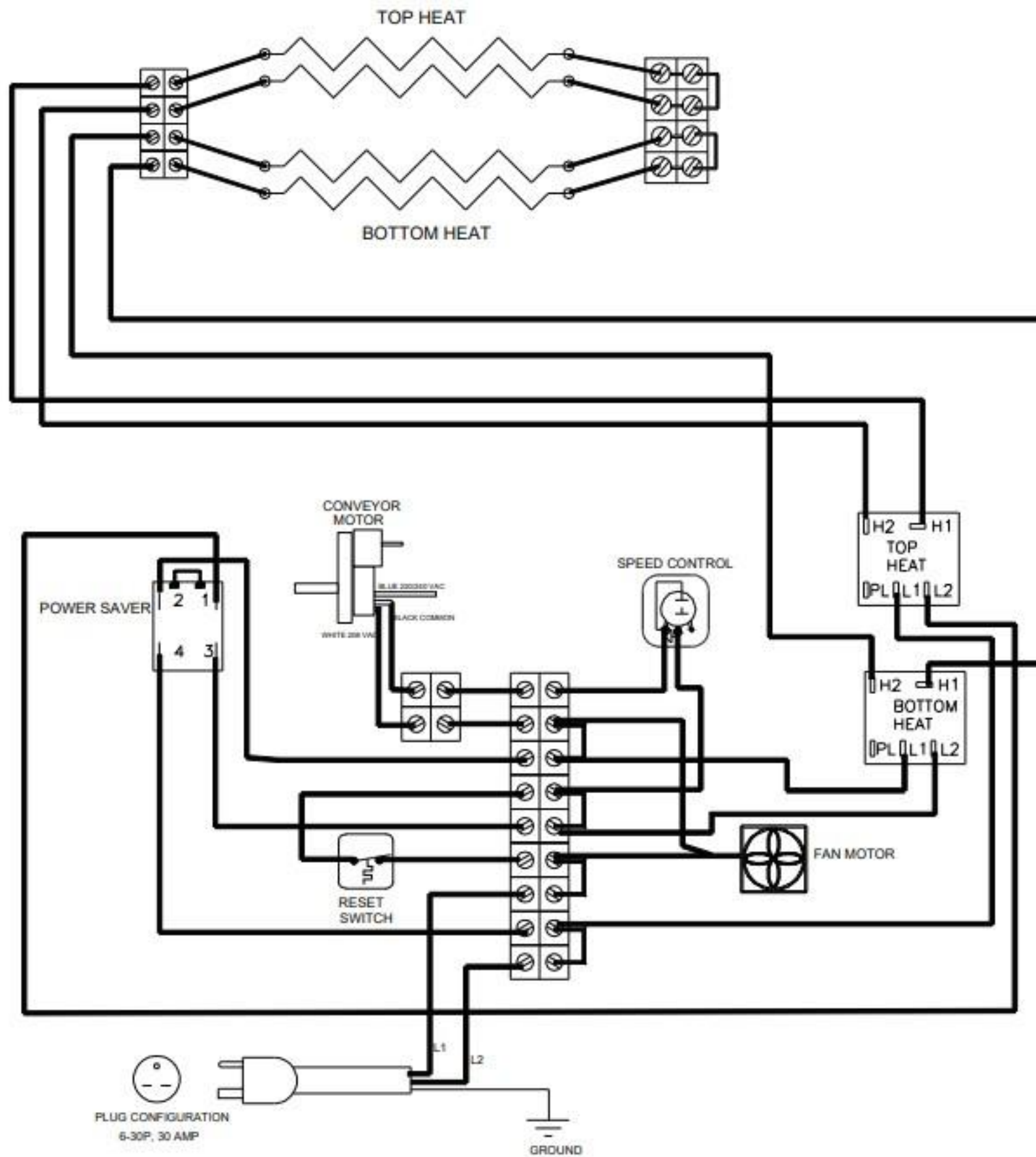
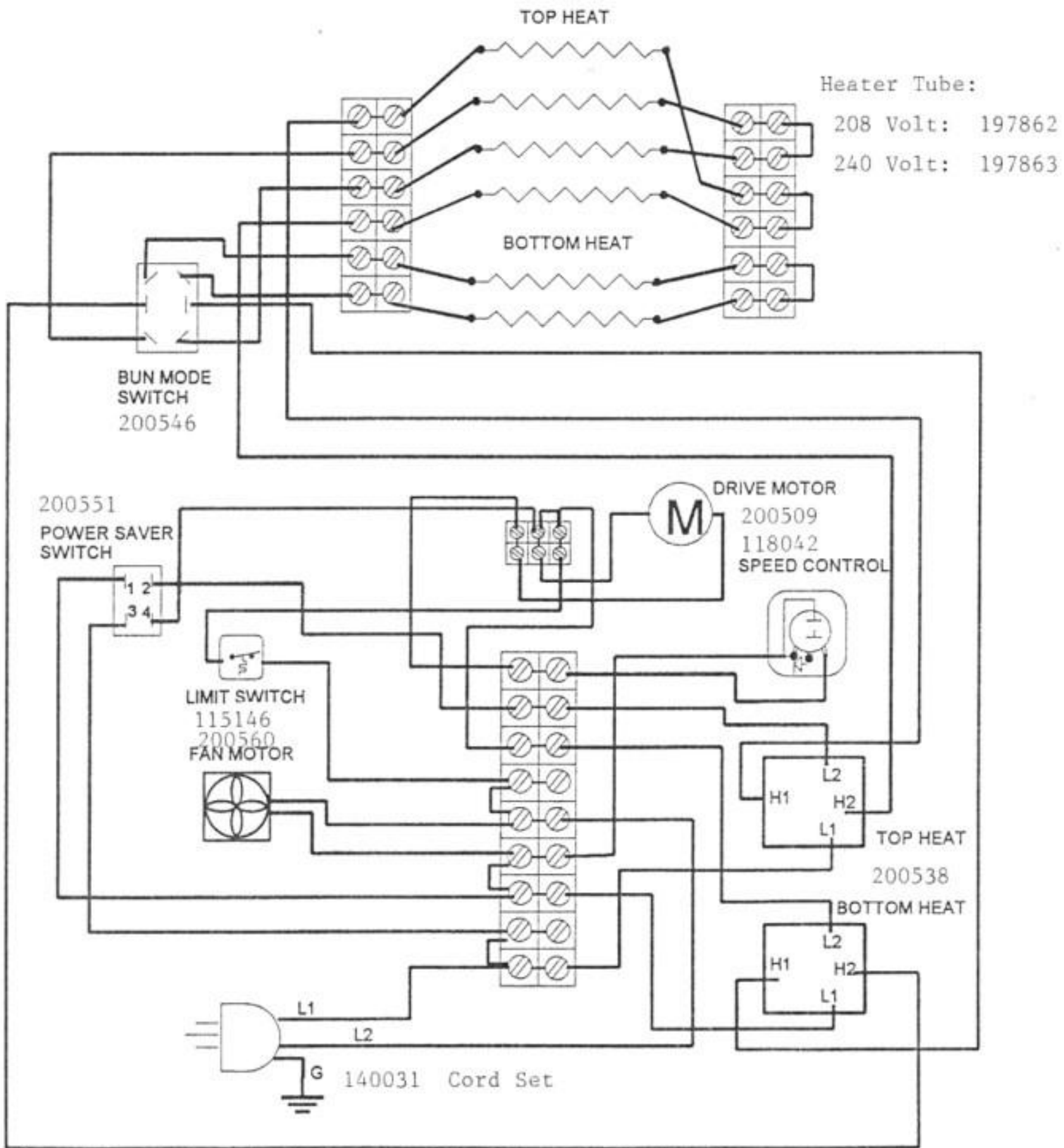


WIRE DIAGRAM

MODEL TH14





WIRE DIAGRAM : TBH14

HL-197862 = 208V
HL-197863 = 240V

