

DR.	MH	CK.	DATE	10-23-12
-----	----	-----	------	----------

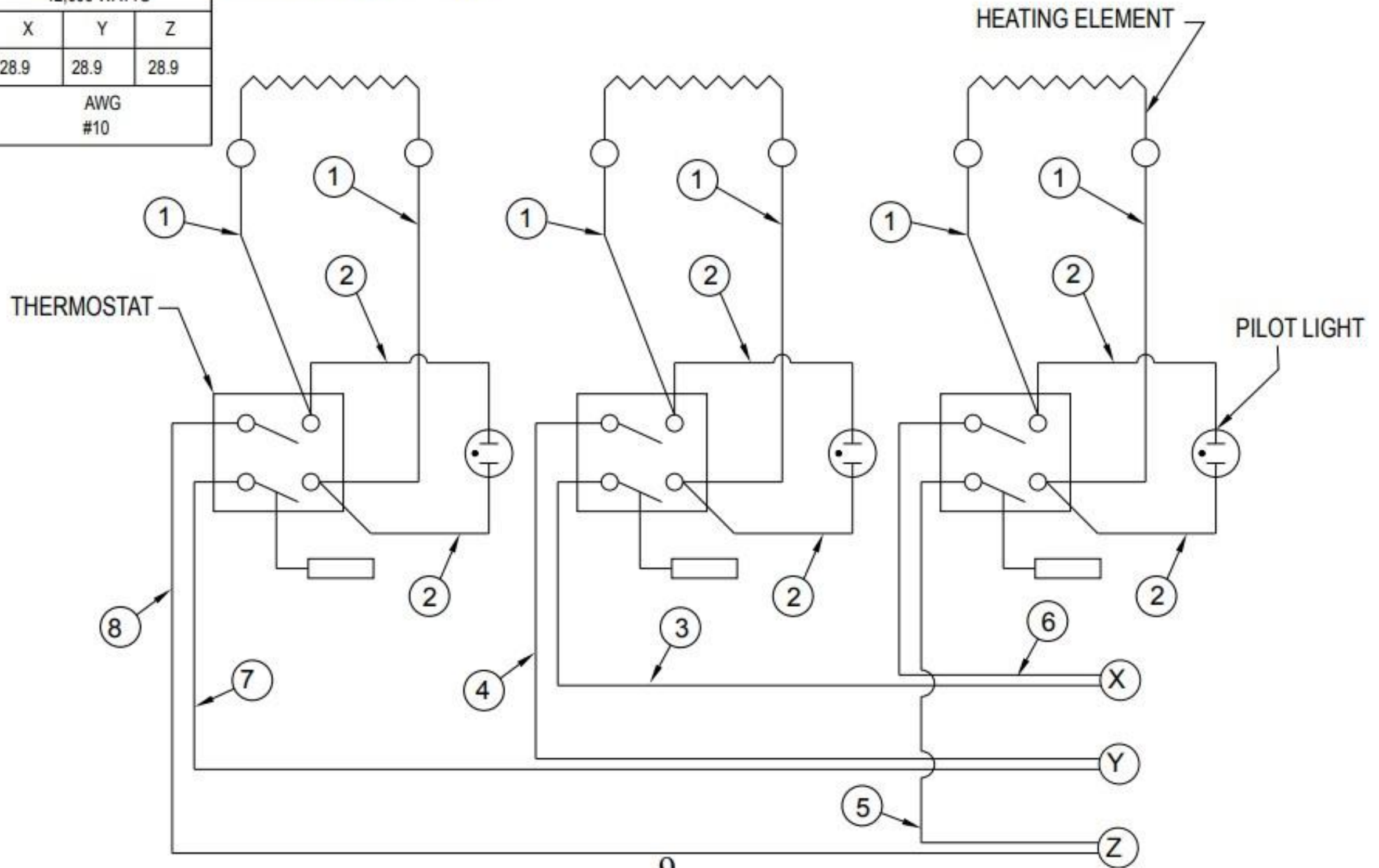
REVISIONS	LTR	DATE	DESCRIPTION OF CHANGE	DR
-				

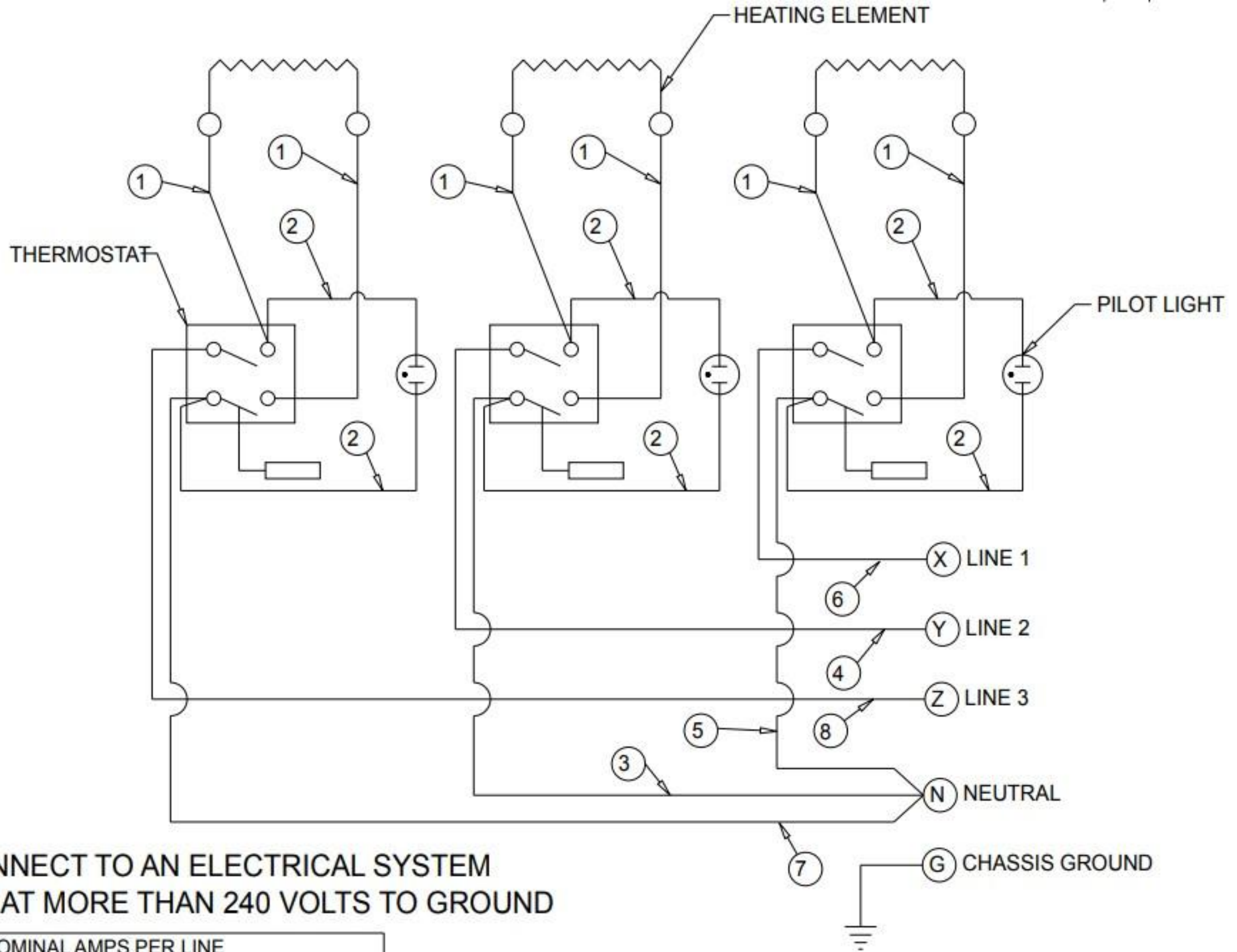
TOLERANCES UNLESS OTHERWISE NOTED
 FRACTIONS ±1/64 DECIMALS ±.005 ANGLES ±1°

THIS DRAWING CONTAINS INFORMATION CONFIDENTIAL TO STAR MFG. INT'L. INC.
 NO REPRODUCTION OR DISCLOSURE OF ITS CONTENTS IS PERMITTED.

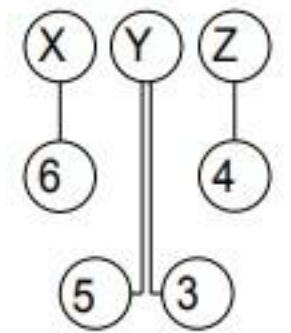
NOMINAL AMPS PER LINE					
208V-3 PHASE			240V-3PHASE		
9,012 WATTS			12,000 WATTS		
X	Y	Z	X	Y	Z
25.0	25.0	25.0	28.9	28.9	28.9
AWG #12			AWG #10		

NOTE:
 1) FOR SUPPLY CONNECTIONS USE COPPER WIRE ONLY, SUITABLE FOR AT LEAST 90°C (194°F). USE GAUGE SHOWN OR LARGER.
 2) ALL INTERNAL WIRING IS #14 GA.





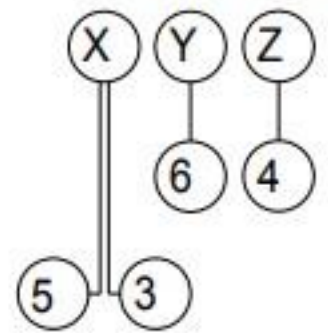
3 PHASE CONNECTION



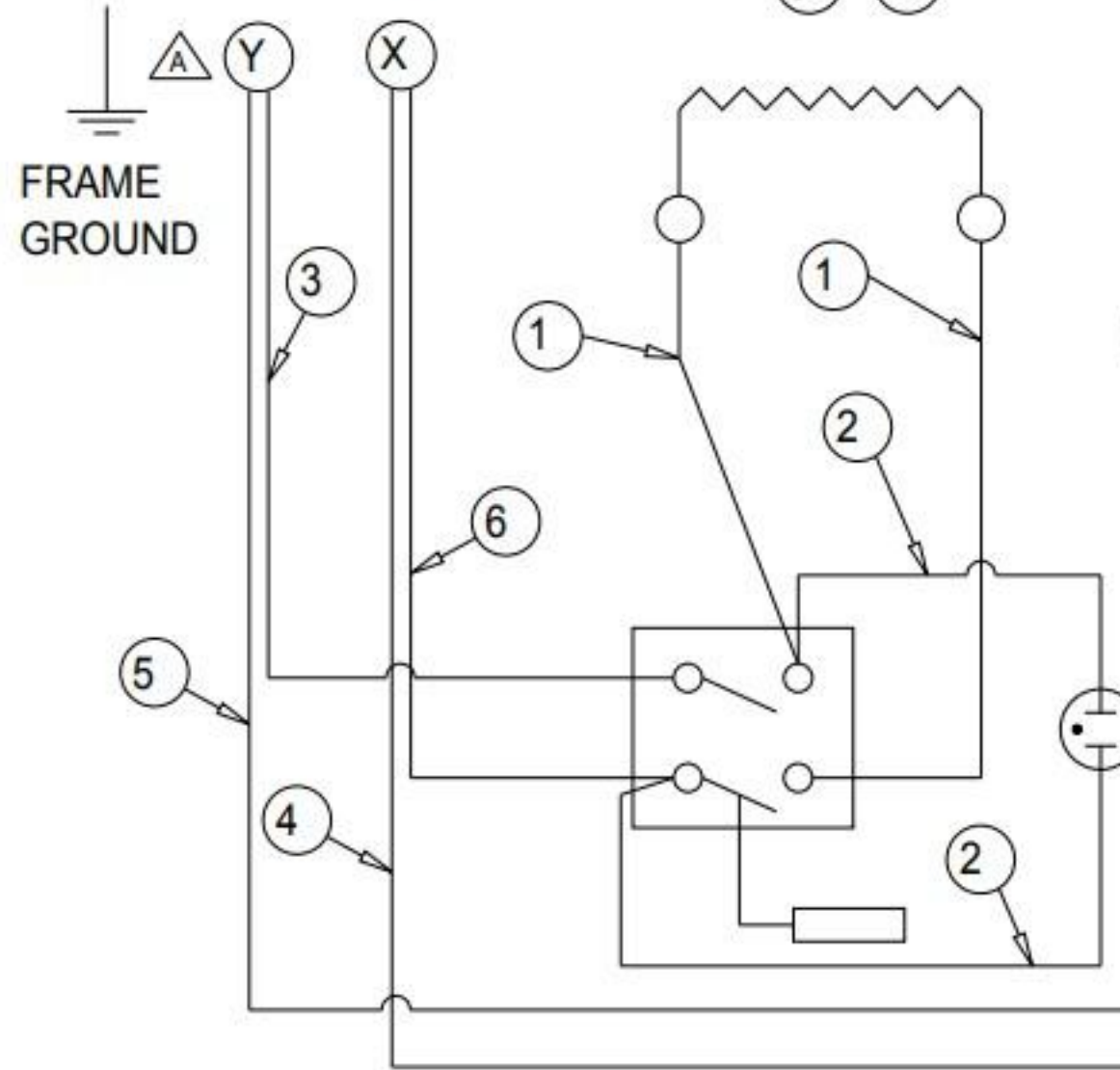
NOTE:

- 1) FOR SUPPLY CONNECTIONS USE COPPER WIRE ONLY, SUITABLE FOR AT LEAST 90°C (194°F). USE WIRE GAUGE SHOWN OR LARGER.
2) ALL INTERNAL WIRING IS #14 GA.

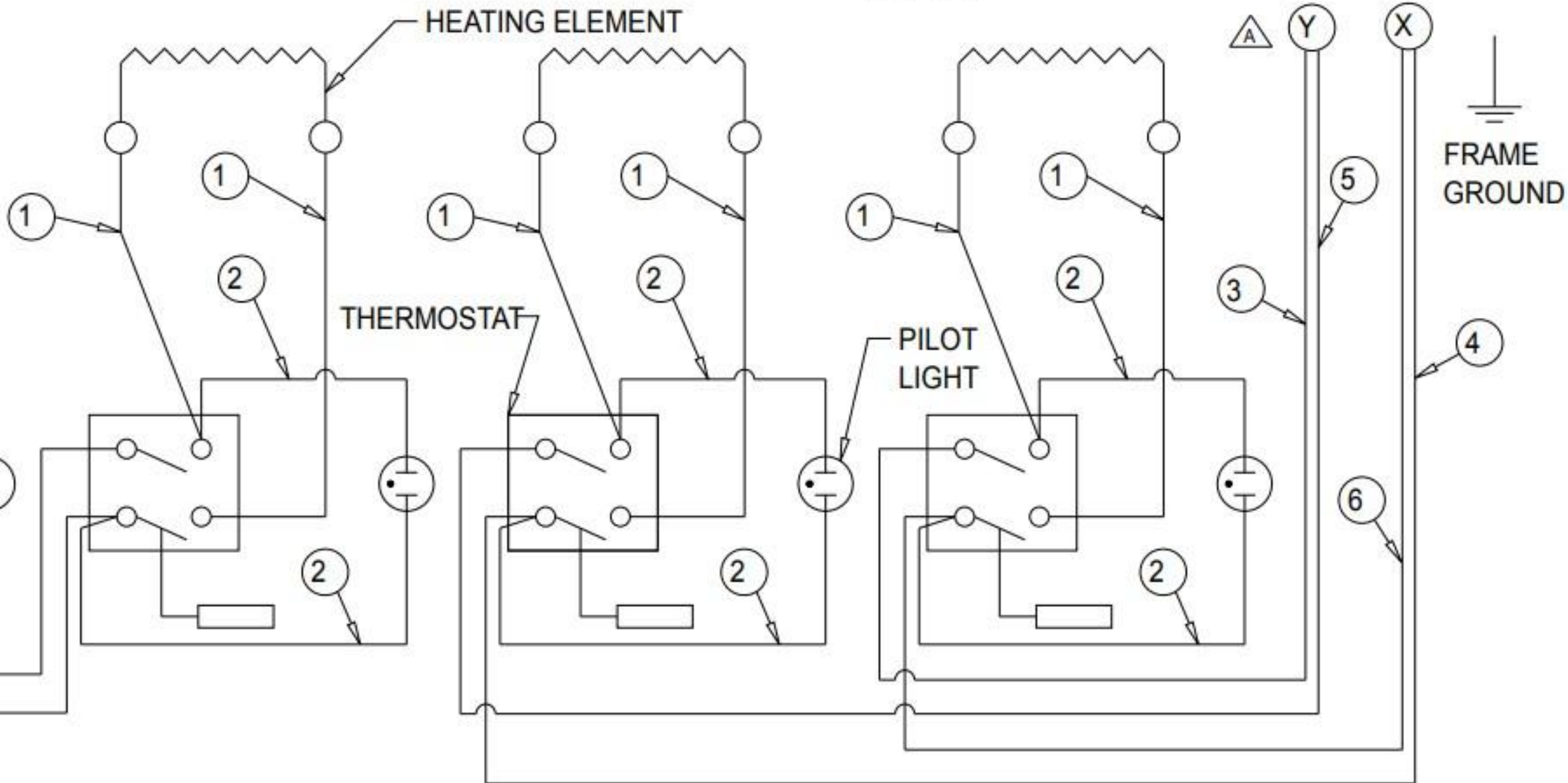
3 PHASE CONNECTION

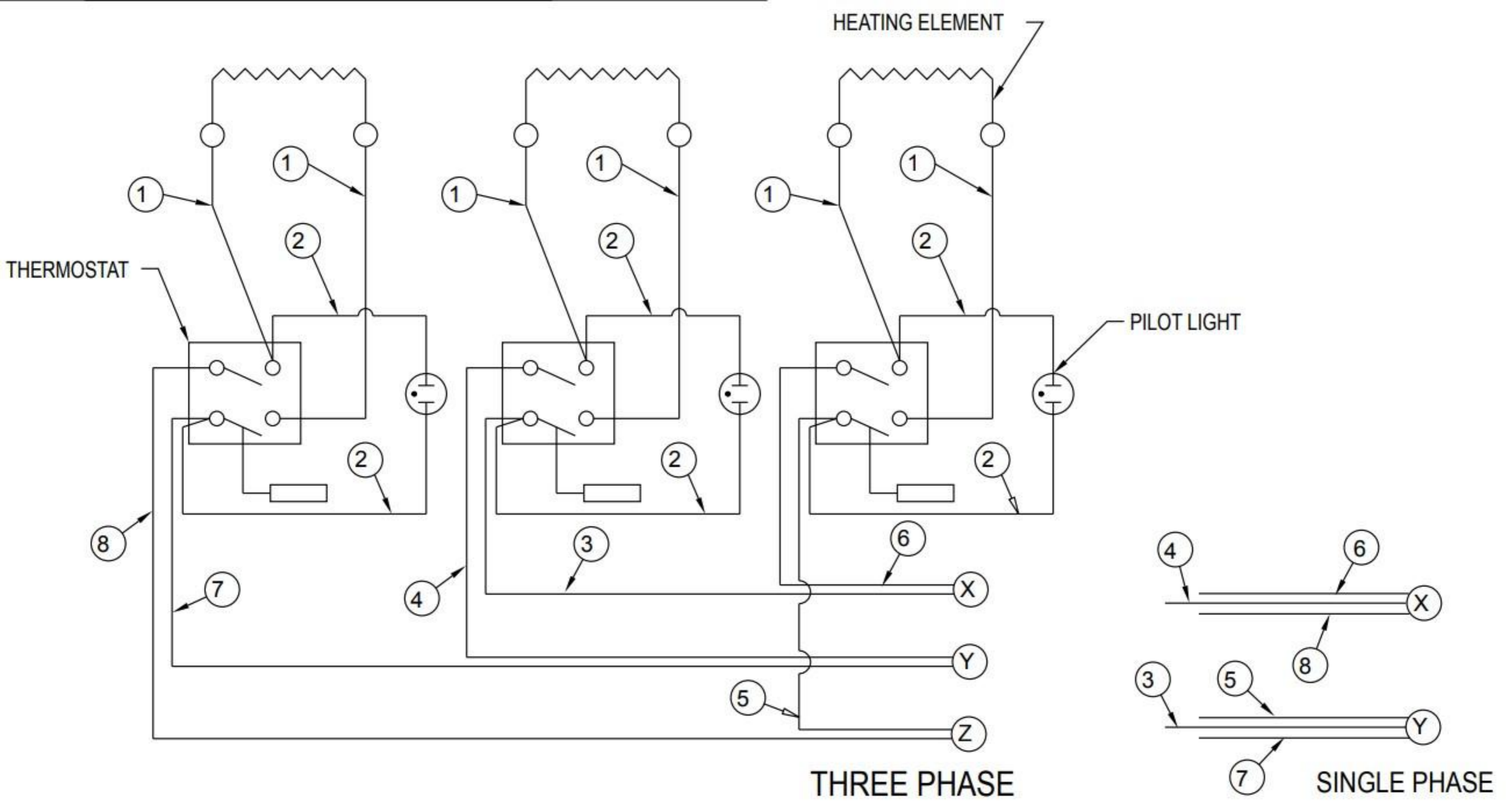


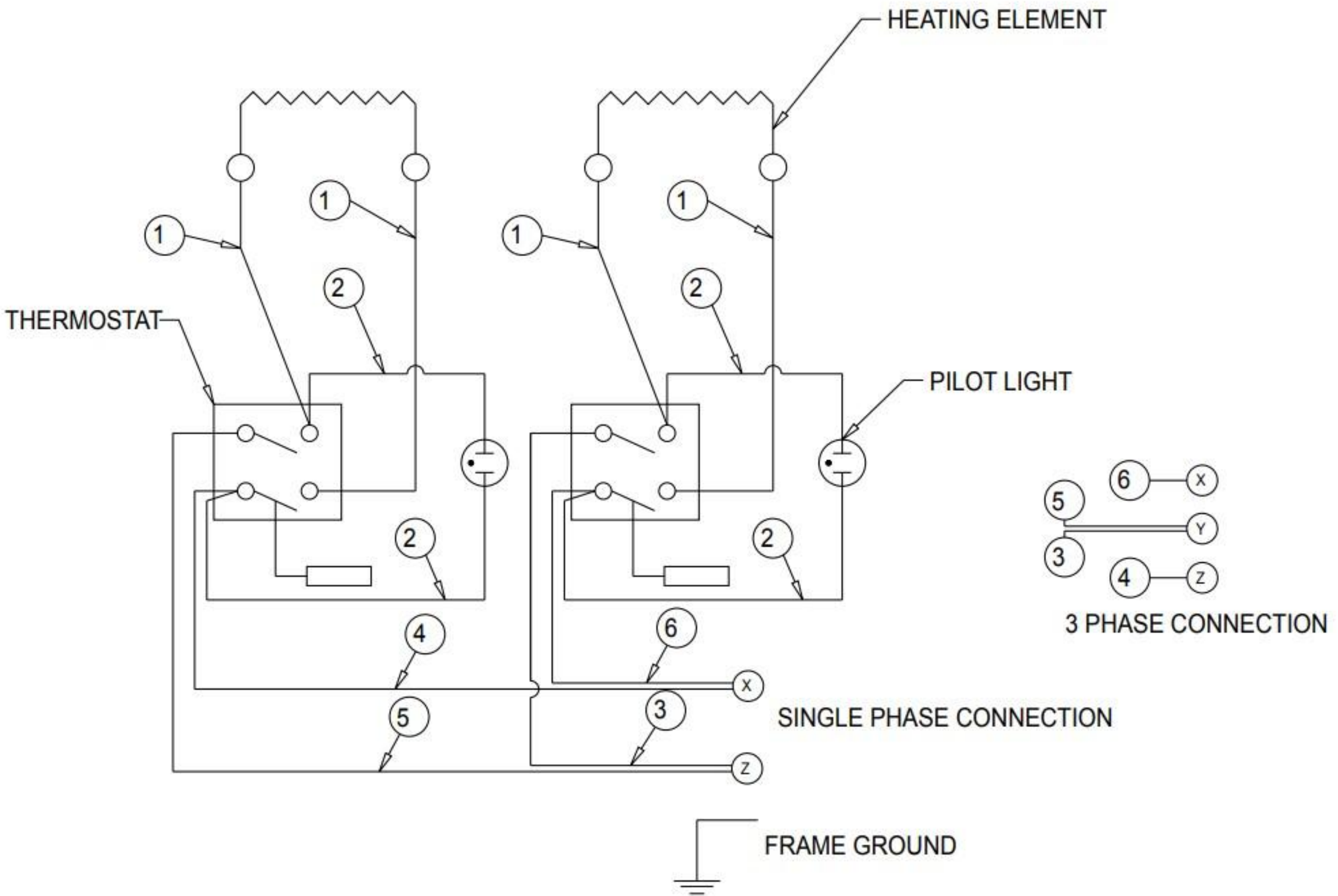
SINGLE PHASE CONNECTION



SINGLE PHASE CONNECTION







THERMOSTAT

HEATING ELEMENT

PILOT LIGHT

3 PHASE CONNECTION

SINGLE PHASE CONNECTION

FRAME GROUND

1

1

1

1

2

2

2

2

4

6

5

3

5

6

3

4

X

Y

Z

X

Z

