

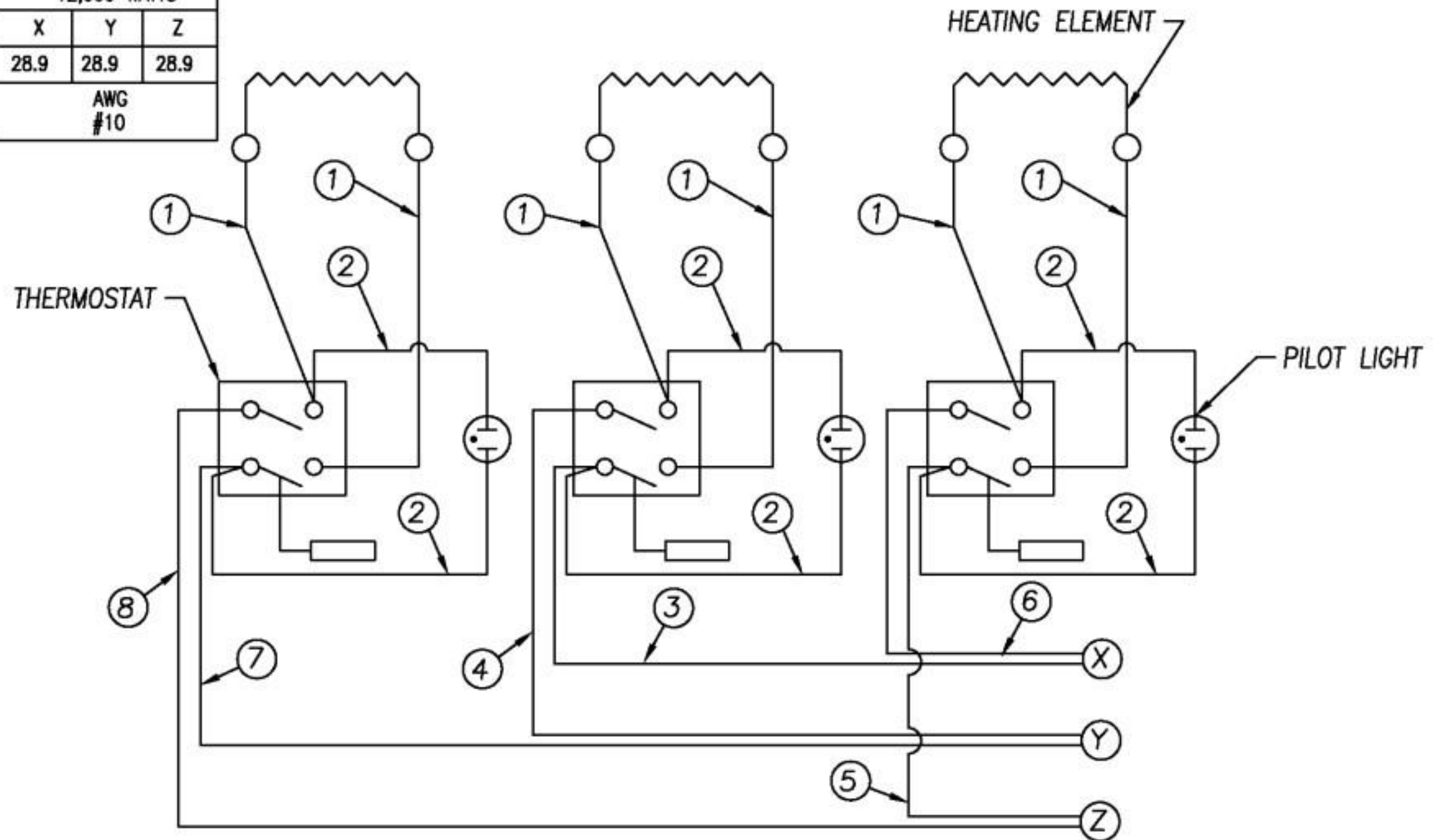
REVISIONS	LTR	DATE	DESCRIPTION OF CHANGE	DR

TOLERANCES UNLESS OTHERWISE NOTED
 FRACTIONS ±1/64 DECIMALS ±.005 ANGLES ±1°

THIS DRAWING CONTAINS INFORMATION CONFIDENTIAL TO STAR MFG. INT'L INC.
 NO REPRODUCTION OR DISCLOSURE OF ITS CONTENTS IS PERMITTED.

NOMINAL AMPS PER LINE					
208V-3 PHASE			240V-3PHASE		
9,012 WATTS			12,000 WATTS		
X	Y	Z	X	Y	Z
25.0	25.0	25.0	28.9	28.9	28.9
AWG #12			AWG #10		

NOTE:
 1) FOR SUPPLY CONNECTIONS USE COPPER WIRE ONLY, SUITABLE FOR AT LEAST 90°C (194°F). USE GAUGE SHOWN OR LARGER.
 2) ALL INTERNAL WIRING IS #14 GA.



TOLERANCES UNLESS OTHERWISE NOTED
 FRACTIONS ±1/64 DECIMALS ±.005 ANGLES ±1°

THIS DRAWING CONTAINS INFORMATION CONFIDENTIAL TO STAR MFG. INT'L INC.
 NO REPRODUCTION OR DISCLOSURE OF ITS CONTENTS IS PERMITTED.

REVISIONS	LTR	DATE	DESCRIPTION OF CHANGE	DR
	A	3/8/2012	CORRECTED SINGLE PHASE BALLOONS FROM 2 TO Y	JGL

THREE PHASE PARALLEL SUPPLY						SINGLE PHASE DUAL SUPPLY					
208			240			VOLTAGE		208		240	
12,018			18,000			RATED WATTAGE		6,008	8,008	8000	8000
X	Y	Z	X	Y	Z	PHASE		X-Y	X-Y	X-Y	X-Y
38.2	38.2	25	44.2	44.2	28	NOMINAL AMPS PER LINE		28.88	28.88	33.3	33.3
AWG #6	AWG #6	AWG #8	AWG #5	AWG #5	AWG #8	FOR SUPPLY USE WIRE SIZE SHOWN OR LARGER		AWG #10	AWG #10	AWG #8	AWG #8

