



**OPERATOR'S MANUAL  
HOLMAN CONVEYOR TOASTERS  
MODELS T710(H, TW, TX) T714(H, TW, TX) S710(H) S714(H) B710H  
FOR SERVICE INFORMATION  
U.S. AND CANADA CALL: 1-800-264-7827  
24 HOURS/DAY 7 DAYS/WEEK**

**TABLE OF CONTENTS**

UNCRATING AND INSPECTION	PAGE 1
ASSEMBLY AND INSTALLATION	PAGE 1
POWER SAVER SWITCH	PAGE 2
SECURITY FEATURES	PAGE 2A
COOKING PROCEDURES	PAGE 3, 4
CLEANING PROCEDURES	PAGE 4
TROUBLESHOOTING GUIDE	PAGE 5, 6
MAINTENANCE PROCEDURES	PAGE 7, 8, 9
PARTS LIST/EXPLODED VIEW	PAGE 10, 11, 12, 13

**DRAWINGS**

CRUMB TRAY	PAGE 1
LOAD AND UNLOAD TRAYS	PAGE 1
ADJ. HEAT SHIELD, FRONT VIEW	PAGE 3
COMPONENT ARRANGEMENT	PAGE 6
HEATER TUBE INSTALLATION	PAGE 7
DRIVE SYSTEM	PAGE 9
WIRING DIAGRAMS [T710(H,TW)]	PAGE 15, 16
WIRING DIAGRAMS [T714(H,TW)]	PAGE 16, 17
WIRING DIAGRAMS [B710(H)]	PAGE 18
WIRING DIAGRAMS [S710(H), Jamba Juice]	PAGE 19
WIRING DIAGRAMS [S714(H)]	PAGE 20

REV. 1/31/2011

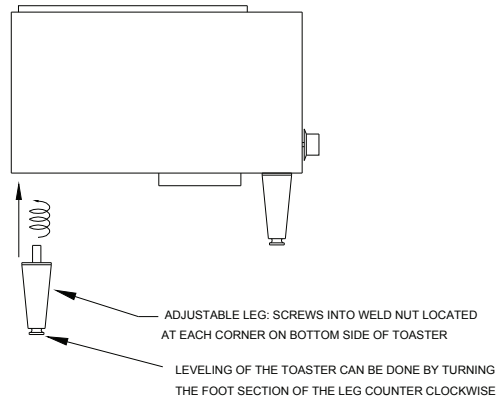
**OPERATOR'S MANUAL**  
**HOLMAN CONVEYOR TOASTERS**  
**MODELS T710(H, TW, TX) T714(H, TW, TX) S710(H) S714(H) B710H**

**UNCRATING AND INSPECTION**

Unpack unit and components from container. Remove all visible packing material, inspect unit for damage. If damage is discovered, file a claim immediately with the carrier that handled the shipment.

**ASSEMBLY AND INSTALLATION**

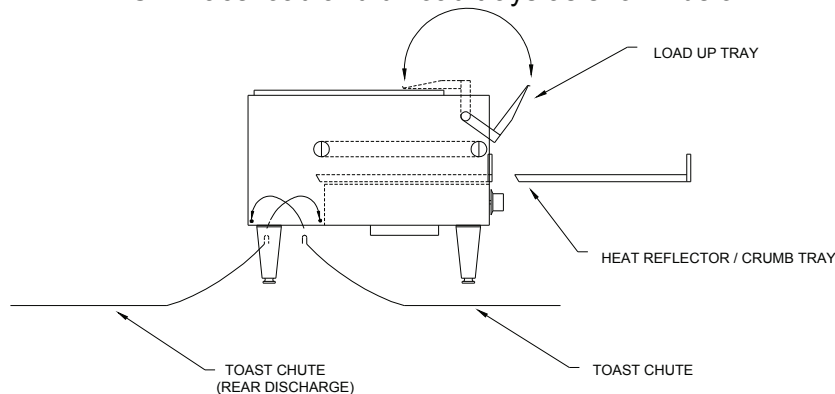
- A. Attach legs by screwing into weld nuts, as shown below.



- B. Anti Skid pads are available at no charge and may be adhered to the foot section of each leg to prevent sliding. Call 1-800-225-3958 for details.

**WARNING:** the National Sanitation Foundation does not approve Use of these pads.

- C. Place load and unload trays as shown below.



CAUTION: DO NOT OPERATE UNIT WITHOUT CRUMB TRAY PROPERLY POSITIONED AS THIS WILL CAUSE OVERHEATING IN THE CONTROL BOX.

**WARNING:** MAKE SURE ALL INPUT POWER IS **OFF** BEFORE INSTALLING/REMOVING ANY PARTS.

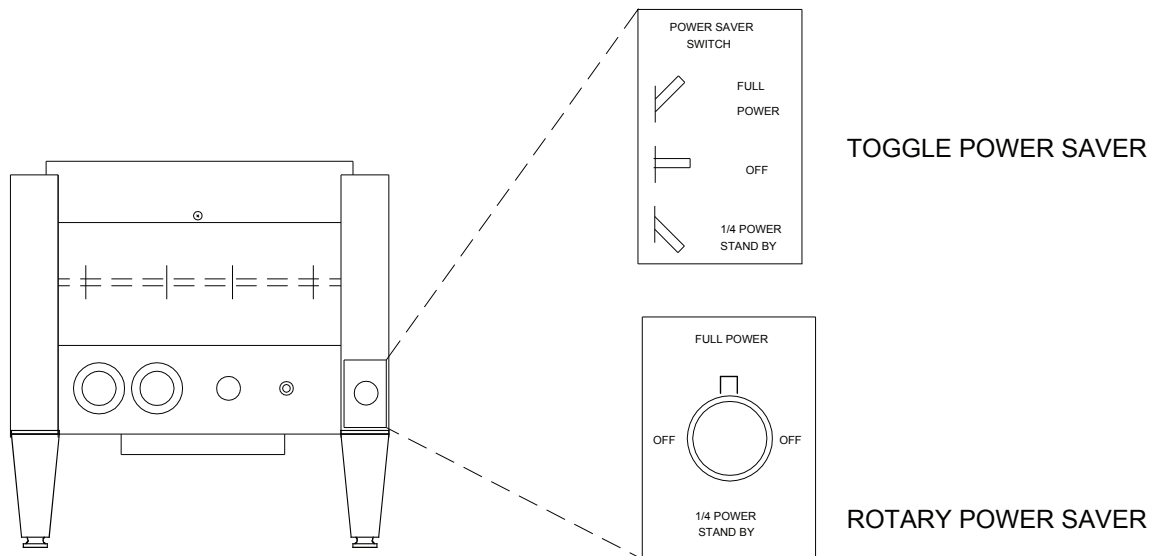
**WARNING:** BEFORE INSTALLING UNIT(S), CHECK WITH LOCAL POWER COMPANY TO DETERMINE ACTUAL VOLTAGE AT JOB SITE. NEVER PLUG A 208-VOLT UNIT INTO 240 VOLTS OR A 240 VOLT UNIT INTO 208 VOLTS.

**WARNING:** BE ABSOLUTELY SURE THE GROUND CONNECTION FOR THE RECEPTACLE IS PROPERLY WIRED. NEVER CONNECT UNIT TO POWER WITHOUT PROPER GROUND CONNECTIONS. IMPROPER GROUND MAY RESULT IN SEVERE INJURY OR FATALITY.

**OPERATOR'S MANUAL**  
**HOLMAN CONVEYOR TOASTERS**  
**MODELS T710(H, TW, TX) T714(H, TW, TX) S710(H) S714(H) B710H**

**OPERATION**

Your Holman toaster may be equipped with a Power Saver Switch, details are as follow;

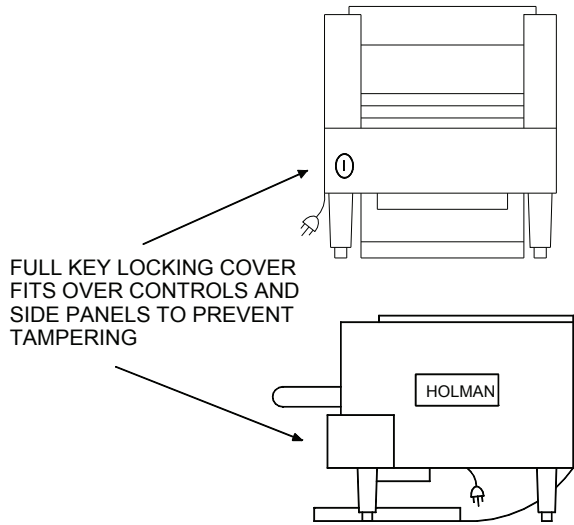


**USING YOUR POWER SAVER SWITCH**

**Power Saver  
Switch Positions**

- FULL POWER-** When in this position your unit is at Full Power and ready to use. Adjust the Top and Bottom Variable Heat Controls and Conveyor Belt Speed Control to your desired settings.
- OFF-ROTARY:** Two off positions are provided so that a single rotation to either direction will result in the unit being turned OFF.
- OFF-TOGGLE:** The center position of the toggle switch turns the unit completely OFF regardless of heat and speed control settings.
- STANDBY-** The standby position reduces the power to the unit to 1/4, and therefore saves 75% of the energy consumption. In this position your unit will stay warm and reduce the reheat time when switched to Full Power to 20 to 30 seconds.

**OPERATOR'S MANUAL  
HOLMAN CONVEYOR TOASTERS  
MODELS S710(H), S714(H)**



S710LOK.WMK

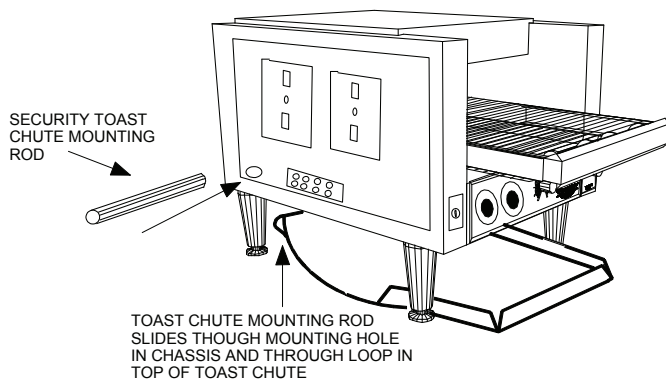
Fig. 1

**SECURITY COVER :**

Your Holman models S710 and S714 are quipped with a full front key locking cover (fig.1). This over fits over the front and sides of the unit. The security cover must be removed with a key in order to gain access to the controls, side panels, legs and toast chute to be removed.

To remove, unlock the cover using the key. Pull locked side of cover out and away from the unit. The right side will release at the same time.

To replace the cover, Hook the right side of the cover over the latch on right front of the unit while sliding the left side of the cover over the lock. Secure cover using key.



S710CHUT.WMF

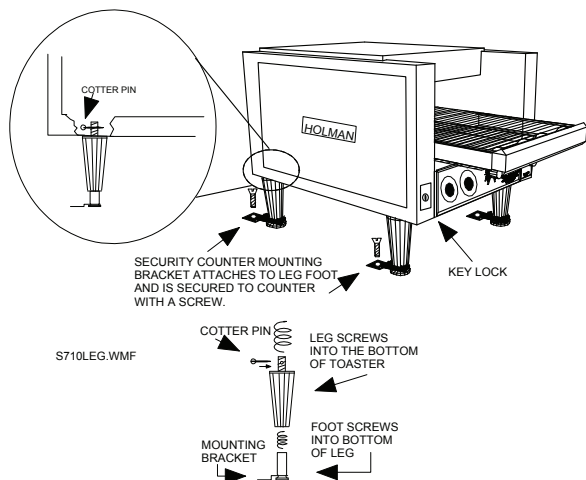
Fig. 2

**TOAST CHUTE ;**

To install the toast chute (fig. 2), Remove the left side panel by removing two screws and pulling the top part of the panel out while lifting up. Remove the mounting rod by sliding it through chassis.

Next, place the toast chute beneath toaster as shown. Line up the looped end of toast chute with holes in the rear of toaster as shown. Insert mounting rod through the holes in chassis and the toast chute (If legs have not been installed, do so now).

Reinstall side panel and secure with screws. Toast chute is now ready for use.



S710LEG.WMF

Fig. 3

**LEGS :**

To secure the toaster to the counter (fig.3), Remove both side panels by removing two screws and pulling the top of the panel out while lifting up. Unscrew the foot of each leg and slide counter-mounting brackets onto the legs. Screw the foot back onto each leg and install legs onto the toaster. Place the small coter pin through the holes in threaded portion of each leg.

Secure the mounting brackets to the counter with a screw or bolt. Reinstall both side panels and secure with screws.

NOTE: Security models are not supplied with a power saver switch.

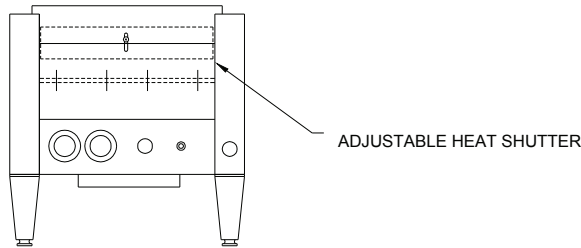
**HOLMAN CONVEYOR TOASTERS**  
**MODELS T710(H, TW, TX) T714(H, TW, TX) S710(H) S714(H) B710H**

**COOKING PROCEDURES**

**A. BREAD TOASTING**

NOTE: Models TX710(H) and TX714(H) have an extended conveyor belt in lieu of a load up tray. Place (do not press) the product on the extended conveyor belt for toasting or heating. Follow the instructions listed below for cooking and operation procedures.

1. On models T710H, TX710(H), T714H, TX714(H) and B710H, S710(H), S714(H) lower the front heat shield all the way down, leave just enough clearance for bread slices to pass under the shield into the cooking cavity (See illustration below).



2. Turn top and bottom heat controls to HI; turn conveyor speed control to 50.
3. Allow warm up time of 5 to 10 minutes.
4. Test with a slice of bread.
  - a. If toast is too light, turn conveyor speed control counterclockwise to a slower speed.
  - b. If toast is too dark, turn conveyor speed control clockwise to a faster speed.

**B. MODELS T710(H), TX710H, T714(H), TX714H, S710(H), S714(H)-BUN TOASTING**

1. Buns may be top or bottom toasted. Turn appropriate heat control to HI, set conveyor speed control to 50.
2. On models with high (3") clearance (T710H, TX710H, T714H, TX714H, S710H, S714H), lower the front heat shield as far as possible, leave just enough clearance for the bun half to pass under and into the cooking cavity.
3. Test with a half of a bun.
  - a. If bun half is too light, turn conveyor speed control counterclockwise to a slower speed.
  - b. If bun half is too dark, turn conveyor speed control clockwise to a faster speed.

**Cooking procedures continued on page 4**

REVISED 9/10/2008

**HOLMAN CONVEYOR TOASTERS**  
**MODELS T710(H, TW, TX) T714(H, TW, TX) S710(H) S714(H) B710H**

**COOKING PROCEDURES CONT.**

C. MODEL B710(H)

The model B710(H) has higher wattage tubes on the top than on the bottom, therefore when placing the bun halves on the conveyor you should place them cut side up.

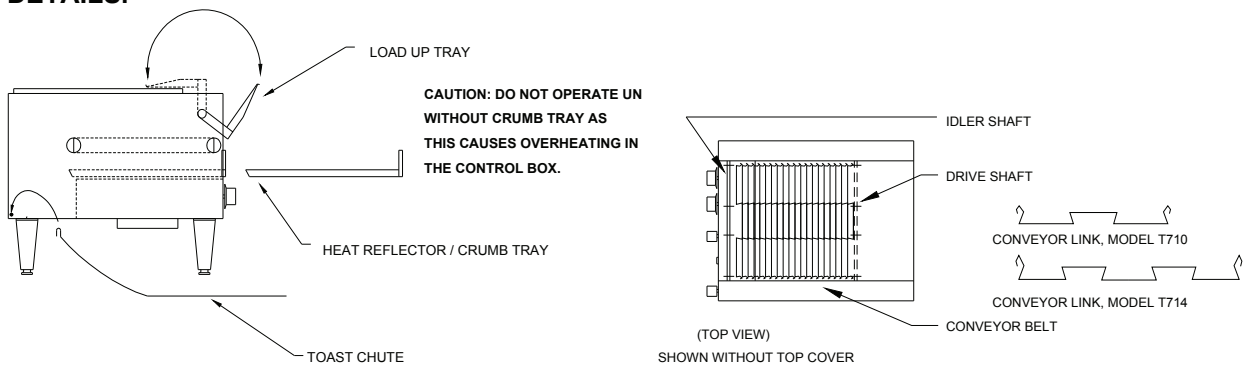
D. DEEP TOASTING OR BAKING (Units with Variable Heat Controls).

Food products that require deep heating without exterior toasting may be heated by reducing the oven temperature (lowering the top and/or bottom heat controls) and cooking at slower speeds. Some foods may require more top heat than bottom heat or vice versa. Every product will require some experimentation to arrive at the correct balance of heat control and conveyor speed settings. Each time a setting is changed allow about 5 minutes for the unit to stabilize.

**CLEANING PROCEDURES**

1. Turn top and bottom heat controls to the OFF position.
2. For lightly soiled conveyor belts, turn conveyor speed control to fastest setting (100) and wipe with a damp cloth.
3. For heavily soiled conveyors, turn conveyor speed control to fastest setting (100) and wipe with a light abrasive pad.
4. Turn conveyor speed control off.
5. After the unit cools, remove interior crumb tray (as shown below) and clean. Slide crumb tray back into position. **DO NOT OPERATE UNIT WITHOUT CRUMB TRAY IN PLACE AS THIS CAUSES OVERHEATING IN THE CONTROL BOX AND MAY ACTIVATE THE HEAT LIMIT SWITCH.**
6. Wipe exterior surface of unit.

**LUBRICATION OF DRIVE CHAIN WITH A GRAPHITE BASED LUBRICANT IS REQUIRED AS PERIODIC MAINTENANCE. CALL HOLMAN FACTORY SERVICE DEPARTMENT FOR DETAILS.**



REVISED 9/10/2008

**HOLMAN CONVEYOR TOASTERS**  
**MODELS T710(H, TW, TX) T714(H, TW, TX) S710(H) S714(H) B710H**

**TROUBLESHOOTING GUIDE**

**A. UNIT WILL NOT HEAT, CONVEYOR WILL NOT TURN.**

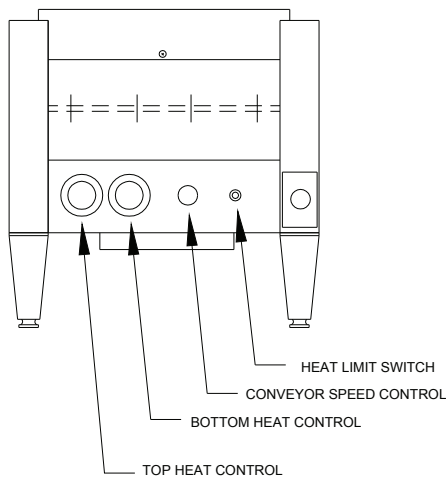
1. Be sure the main circuit breaker is switched to the ON position.
2. Check to see if the toaster is plugged in and all controls are turned to the ON position.

**B. UNIT WILL NOT HEAT, CONVEYOR TURNS PROPERLY.**

1. Check to see if both top and bottom heat controls have been turned to HI.
2. Push heat limit switch on front of control box as shown below.  
If this reactivates the heater tubes, see HEAT LIMIT SWITCH in section C.

**C. HEAT LIMIT SWITCH**

Your Holman conveyor toaster is equipped with an automatically activated Heat Limit Switch that interrupts the heater tube connections if the ambient temperature in the control box exceeds 190F (88C). This heat limit switch can be reset manually by pushing the red button on the front of the control box.



THE HEAT LIMIT SWITCH IS ACTIVATED WHEN THERE IS NOT SUFFICIENT AIR FLOW GENERATED BY THE COOLING FAN. WHEN HEAT LIMIT SWITCH HAS BEEN ACTIVATED:

1. DISCONNECT UNIT FROM POWER SOURCE.
2. Check to see if air intake area in the bottom center of the control box cover is free of dust, grease or other obstructions.

**Troubleshooting guide continued on page 6**

REVISED 9/10/2008

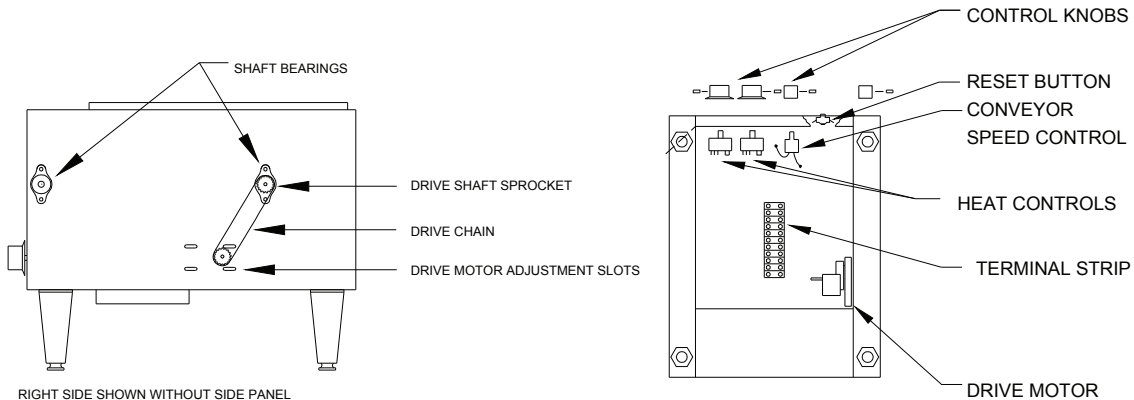
**HOLMAN CONVEYOR TOASTERS**  
**MODELS T710(H, TW, TX) T714(H, TW, TX) S710(H) S714(H) B710H**

**TROUBLESHOOTING GUIDE CONT.**

3. Check if crumb tray is in place. NEVER OPERATE UNIT WITHOUT CRUMB TRAY IN PLACE AS THIS CAUSES OVERHEATING IN THE CONTROL BOX.
4. If no obstructions to the airflow can be found and if the crumb tray is in place, call Holman Factory Service Department at **1-800-225-3958** for assistance.

**D. CONVEYOR WILL NOT TURN, UNIT HEATS PROPERLY.**

1. DISCONNECT UNIT FROM POWER SOURCE.
2. Remove right hand side panel (from operator's position). Loosen screws holding drive motor in place and slide motor toward the rear of unit. Remove drive chain and manually move conveyor belt to check for mechanical binding. If conveyor moves freely, call Holman Factory Service Department at **1-800-225-3958** as drive motor and/or speed control may need replacement.



**E. CONVEYOR TURNS AT ONE SPEED REGARDLESS OF SPEED CONTROL SETTING.**

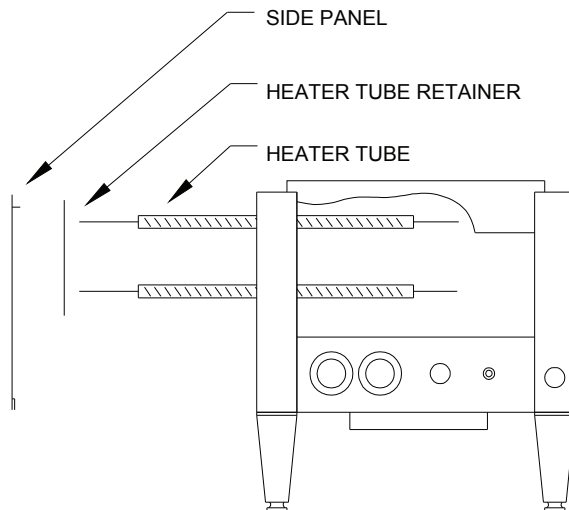
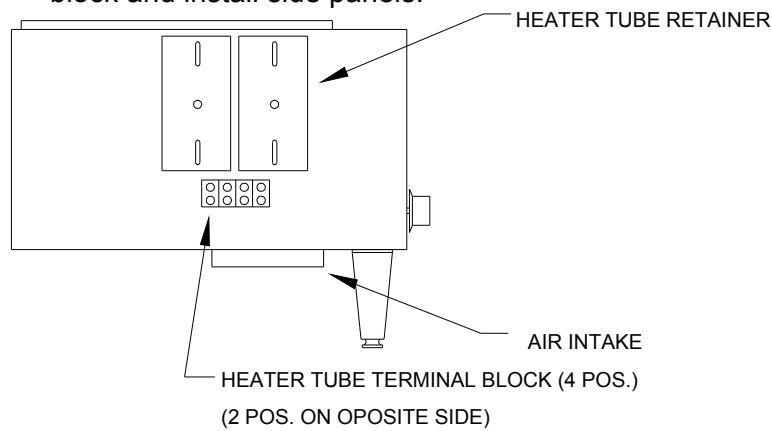
1. Call Holman Factory Service Department at **1-800-225-3958** as speed control should be replaced.

REVISED 9/10/2008

**HOLMAN CONVEYOR TOASTERS**  
**MODELS T710(H, TW, TX) T714(H, TW, TX) S710(H) S714(H) B710H**

**MAINTENANCE PROCEDURES**

- A. REPLACING HEATER TUBES (as below)
1. DISCONNECT UNIT FROM POWER SOURCE.
  2. Remove right and left side panels.
  3. Remove heater tube wire from terminal block connection, keeping top and bottom wires separate.
  4. Remove heater tube retainers by removing retaining screws with washer.
  5. Gently, pull defective heater tube out of unit.
  6. Gently, put new heater tube into unit.
  7. Replace heater tube retainers, reconnect heater tube wires to terminal block and install side panels.



**Maintenance procedures continued on page 8**

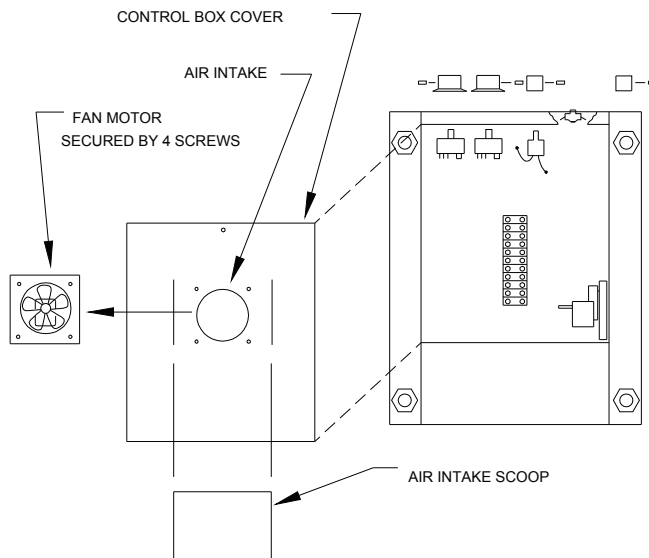
REVISED 9/10/2008

**HOLMAN CONVEYOR TOASTERS**  
**MODELS T710(H, TW, TX) T714(H, TW, TX) S710(H) S714(H) B710H**

**MAINTENANCE PROCEDURES (CONT.)**

**B. REPLACING FAN MOTOR**

1. DISCONNECT UNIT FROM POWER SOURCE.
2. Remove control box cover with fan motor.
3. Unplug power supply cord from fan motor.
4. Remove(4)screws that hold fan motor and grill to cover.
5. Put replacement motor and grill in place and secure to the control box cover with screws.
6. Reconnect power supply cord to fan motor.
7. Replace control box cover.



**Maintenance procedures continued on page 9**

REVISED 9/10/2008

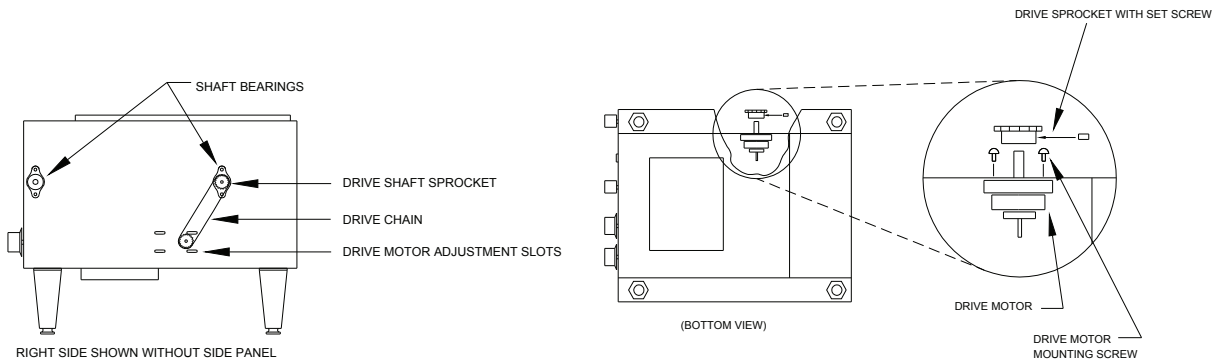
**OPERATOR'S MANUAL  
HOLMAN CONVEYOR TOASTERS  
MODELS T710(H, TW, TX) T714(H, TW, TX) S710(H) S714(H) B710H**

**MAINTENANCE PROCEDURES (CONT.)**

**C. REPLACING BELT DRIVE MOTOR**

1. DISCONNECT UNIT FROM POWER SOURCE.
2. Remove right side panel and control box covers.
3. Remove sprocket from motor shaft.
4. Remove the wire from terminal block connecting the drive motor to internal wiring. On units rated 208 or 240 volts, note which color leads are being used for these connections and which lead is capped with white tape. The new motor should use the same arrangement.
5. Remove screws holding motor in place.
6. Put new motor in place and attach loosely with mounting screws.
7. Replace sprocket on motor shaft.
8. Slide motor until the drive chain has about 1/8" slack when lightly pushed at the center of its top open run.
9. Tighten screws to secure motor.
10. Rewire leads same as removed in step 4.
11. Replace side panel and control box cover.

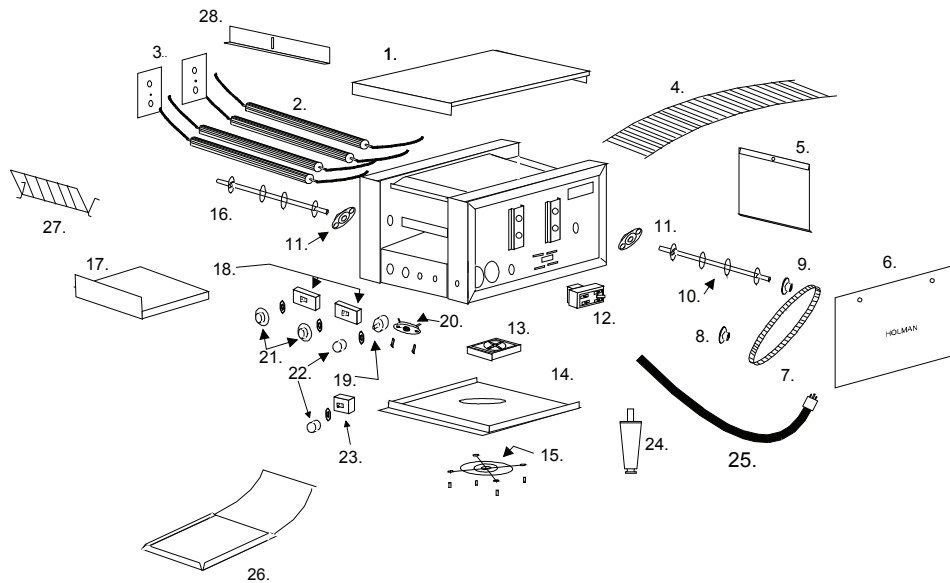
**IF ASSISTANCE IS REQUIRED FOR THIS OR ANY OTHER PROCEDURE IN THIS MANUAL CALL HOLMAN FACTORY SERVICE DEPARTMENT AT 1-800-807-9054, 24 HOURS/DAY 7 DAYS/WEEK.**



REVISED 9/10/2008

**OPERATOR'S MANUAL**  
**HOLMAN CONVEYOR TOASTERS**  
**MODELS T710(H, TW, TX) T714(H, TW, TX) S710(H) S714(H) B710H**

**PARTS LIST /EXPLODED VIEW MODEL T710(H), 120, 208, 240 VOLT**



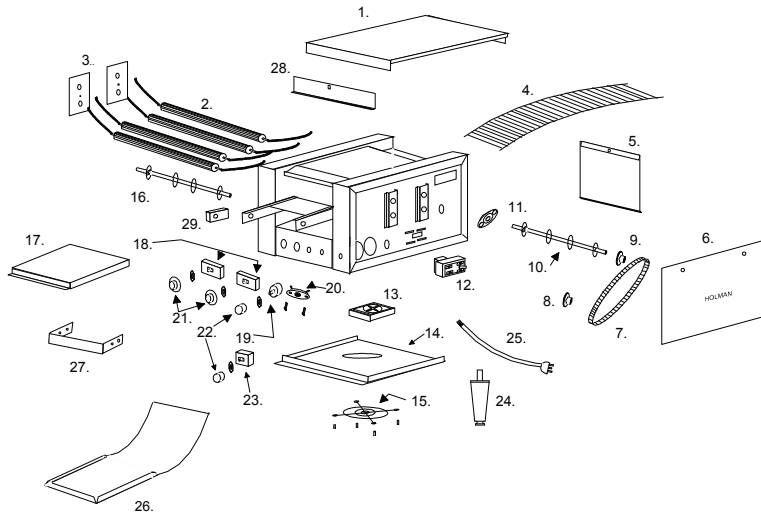
<b>Model: T710 (H) 120, 208, 240V</b>							
	<b>PART No.</b>	<b>QTY</b>	<b>DESCRIPTION</b>		<b>PART No.</b>	<b>QTY</b>	<b>DESCRIPTION</b>
1)	<a href="#">HO-400821</a>	1	Cover, Top	16)	<a href="#">HO-100901</a>	1	Idler Shaft
2)	<a href="#">GH-197848</a>	4	Heater Tube, 120 Volt	17)	<a href="#">HO-100541</a>	1	Crumb Tray
2a)	<a href="#">HO-197841</a>	4	Heater Tube, 208 Volt	18)	<a href="#">2J-200538</a>	2	Infinite Switch, 208/240 Volt
2b)	<a href="#">HO-197844</a>	4	Heater Tube, 220 Volt	18a)	<a href="#">2J-200539</a>	2	Infinite Switch, 120 Volt
2c)	<a href="#">HO-197842</a>	4	Heater Tube, 240 Volt	19)	<a href="#">SP-118000</a>	1	Speed Control, 120 Volt
3)	NLA	4	Retainer, Heater TubeHH	19a)	<a href="#">SP-118042</a>	1	Speed control, 208/240 Volt
4)	<a href="#">HO-160000</a>	1	Conveyor Belt, T710(H)	20)	<a href="#">2E-200566</a>	1	Reset/High Limit
5)	<a href="#">HO-400827</a>	1	Back Panel, Low	21)	<a href="#">2R-200702</a>	2	Knob, Infinite Switch
5a)	<a href="#">HO-400925</a>	1	Back Panel, High	22)	<a href="#">2R-200703</a>	1	Knob, Speed Cont'l/ Power Saver
6)	<a href="#">HO-401486</a>	2	Side Panel, Low	23)	<a href="#">2E-200551</a>	1	Power Saver Switch
6a)	NLA	2	Side Panel, High (H)	24)	<a href="#">2R-Y5092</a>	4	Leg, 4" Plastic
7)	<a href="#">2P-200662</a>	1	Drive Chain T710(H)	25)	<a href="#">2E-200376</a>	1	Power Supply Cord, 208V
8)	<a href="#">2P-Z8779</a>	1	Drive Sprocket		<a href="#">HA-140026</a>		Cord Set, VA T710 120V
9)	<a href="#">2P-200645</a>	1	Driven Sprocket	26)	<a href="#">HO-400825</a>	1	Toast Chute
10)	<a href="#">HO-100900</a>	1	Drive Shaft	27)	<a href="#">2B-200753</a>	1	Load up Tray
11)	<a href="#">HA-112261</a>	4	Bearings	28)	<a href="#">GA-400891</a>	1	Heat Shutter (H Model Only)
12)	<a href="#">2U-Z13803</a>	1	Drive Motor, 120 Volt	*29)	<a href="#">SP-115603</a>	4	Security Leg , S710(H) (not shown)
12a)	<a href="#">2U-200509</a>	1	Drive Motor, 208/240 Volt	NI	<a href="#">2M-200839</a>	1	LABEL, POWER SAVER
13)	<a href="#">2U-200558</a>	1	Fan Motor, 120 Volt	NI	<a href="#">2M-200801</a>	1	LABEL, CONTROLS
13a)	<a href="#">2U-200560</a>	1	Fan Motor, 208/240 Volt	NI	<a href="#">HC-115381</a>	1	TERM, BLOCK-4 POS.
	<a href="#">HO-115103</a>		Retro Kit, Motor, T710h	NI	<a href="#">HA-115383</a>	1	TERM, BLOCK-3 POS.
14)	NLA	1	Control Box Cover	NI	<a href="#">HA-115386</a>	1	TERM, BLOCK-9 POS.
15)	<a href="#">2R-200562</a>	1	Fan Grill				

**Parts continued on page 11**

REVISED 1/28/2011 RMS

**OPERATOR'S MANUAL  
HOLMAN CONVEYOR TOASTERS  
MODELS T710(H, TW, TX) T714(H, TW, TX) S710(H) S714(H) B710H**

PARTS LIST /EXPLODED VIEW MODEL TX710(H) 120, 208, 240 VOLT



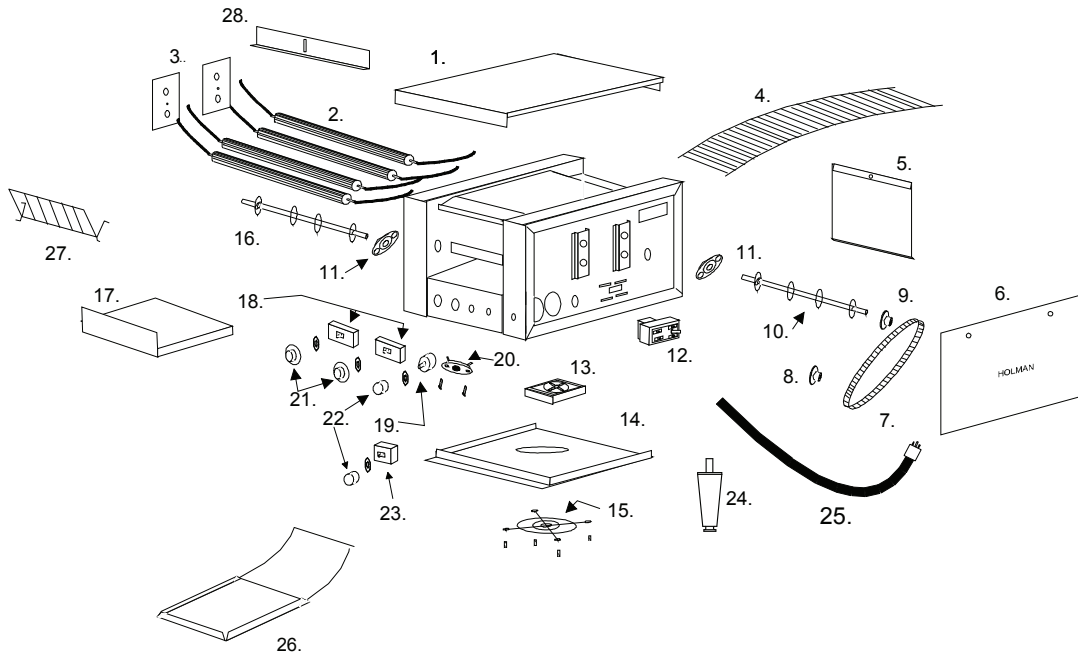
Model: TX710 (H) 120, 208, 240V							
	<u>PART No.</u>	<u>QTY.</u>	<u>DESCRIPTION</u>		<u>PART No.</u>	<u>QTY.</u>	<u>DESCRIPTION</u>
1)	<a href="#">HO-400821</a>	1	Cover, Top	13a)	<a href="#">2U-200560</a>	1	Fan Motor, 208/240 Volt
2)	<a href="#">GH-197848</a>	4	Heater Tube, 120 Volt	14)	NLA	1	Control Box Cover
2a)	<a href="#">HO-197841</a>	4	Heater Tube, 208 Volt	15)	<a href="#">2R-200562</a>	1	Fan Guard
2b)	<a href="#">HO-197844</a>	4	Heater Tube, 220 Volt	16)	<a href="#">HO-100901</a>	1	Idler Shaft
2c)	<a href="#">HO-197842</a>	4	Heater Tube, 240 Volt	17)	<a href="#">HO-100541</a>	1	Crumb Tray
3)	NLA	4	Retainer, Heater TubeHH	18)	<a href="#">2J-200538</a>	2	Infinite Switch, 208/240 Volt
4)	<a href="#">HO-160003</a>	1	Conveyor Belt, T710(H)	18a)	<a href="#">2J-200539</a>	2	Infinite Switch, 120 Volt
5)	<a href="#">HO-400827</a>	1	Back Panel, Low	19)	<a href="#">SP-118000</a>	1	Speed Control, 120 Volt
5a)	<a href="#">HO-400925</a>	1	Back Panel, High	19a)	<a href="#">SP-118042</a>	1	Speed control, 208/240 Volt
6)	<a href="#">HO-401486</a>	2	Side Panel, Low	20)	<a href="#">2E-200566</a>	1	Reset/High Limit
6a)	NLA	2	Side Panel, High (H)	21)	<a href="#">2R-200702</a>	2	Knob, Infinite Switch
7)	<a href="#">2P-200662</a>	1	Drive Chain	22)	<a href="#">2R-200703</a>	1	Knob, Speed Cont'l/ Power Saver
8)	<a href="#">2P-Z8779</a>	1	Drive Sprocket	23)	<a href="#">2E-200551</a>	1	Power Saver Switch
9)	<a href="#">2P-200645</a>	1	Driven Sprocket	24)	<a href="#">2R-200715</a>	4	Leg, 4" Plastic
10)	<a href="#">HO-100900</a>	1	Drive Shaft	25)	<a href="#">2E-200376</a>	1	Power Supply Cord, 208/240 Volt
11)	<a href="#">HA-112261</a>	2	Bearings, Rear	25a)	<a href="#">2E-200375</a>	1	Power Supply Cord, 120 Volt
12)	<a href="#">2U-Z13803</a>	1	Drive Motor, 120 Volt	26)	<a href="#">HO-400825</a>	1	Toast Chute
12a)	<a href="#">2U-200509</a>	1	Drive Motor, 208/240 Volt	27)	<a href="#">GA-401131</a>	1	Extension Guard
13)	<a href="#">2U-200558</a>	1	Fan Motor, 120 Volt	28)	<a href="#">GA-400891</a>	1	Heat Shutter (H Model Only)
				29)	<a href="#">2P-200693</a>	2	Idler Bushing

**Parts continued on page 12**

REVISED 9/10/2008 RMS

**OPERATOR'S MANUAL  
HOLMAN CONVEYOR TOASTERS  
MODELS T710(H, TW, TX) T714(H, TW, TX) S710(H) S714(H) B710H**

**PARTS LIST /EXPLODED VIEW MODEL T714(H)**



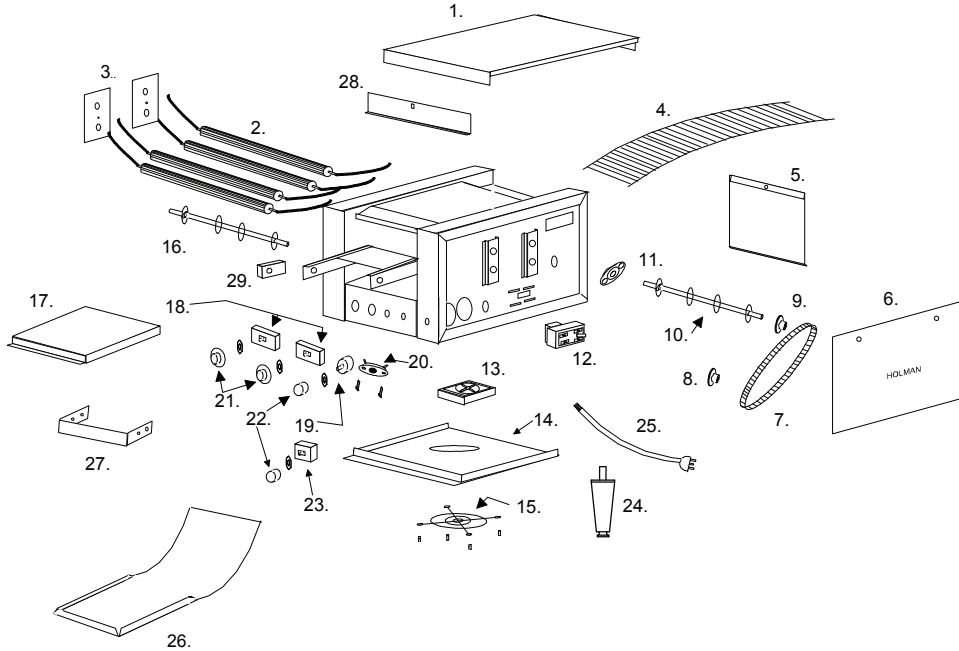
Model: T714 (H)							
	PART #	QTY	DESCRIPTION		PART #	QTY	DESCRIPTION
1)	<a href="#">GC-400847</a>	1	Top Cover	13)	<a href="#">2U-200560</a>	1	Fan Motor
2)	<a href="#">HT-197850</a>	4	Heater Tube, 240 Volt	14)	<a href="#">HT-100312</a>	1	Control Box Cover
2a)	<a href="#">HT-197846</a>	4	Heater Tube, 220 Volt	15)	<a href="#">2R-200562</a>	1	Fan Guard
2b)	<a href="#">HT-197851</a>	4	Heater Tube, 208 Volt	16)	<a href="#">2A-202904</a>	1	Idler Shaft
3)	NLA	4	Retainer, Heater Tube	17)	<a href="#">HO-100508</a>	1	Crumb Tray
4)	<a href="#">HM-160004</a>	1	Conveyor Belt	18)	<a href="#">2J-200538</a>	2	Infinite Switch
5)	<a href="#">HT-400853</a>	1	Back Panel, Low	19)	<a href="#">SP-118042</a>	1	Speed Control
5a)	<a href="#">HT-400926</a>	1	Back Panel, High	20)	<a href="#">2E-200566</a>	1	Reset Switch
6)	<a href="#">HO-401486</a>	1	Side Panel, Low	21)	<a href="#">2R-200702</a>	1	Knob, Infinite Switch
6a)	NLA	1	Side Panel, High	22)	<a href="#">2R-200703</a>	2	Knob, Speed control/Power Saver
7)	<a href="#">2P-200663</a>	1	Drive Chain	23)	<a href="#">SP-115142</a>	1	Power Saver Switch
8)	<a href="#">2P-200645</a>	1	Drive Sprocket	24)	<a href="#">2R-Y5092</a>	4	Leg, 4" Plastic
9)	<a href="#">2P-Z8779</a>	1	Driven Sprocket	25)	<a href="#">HJ-140027</a>	4	Cord/Plug Set
10)	<a href="#">2A-202902</a>	1	Drive Shaft	26)	<a href="#">HT-400846</a>	1	Toast Chute
11)	<a href="#">HA-112261</a>	1	Bearings	27)	<a href="#">HM-401089</a>	1	Extension Guard
12)	<a href="#">2U-200509</a>	1	Drive Motor	28)	<a href="#">HM-400899</a>	1	Heat Shutter (H model only)

**Parts continued on page 13**

REVISED 1/31/2011 RMS

**OPERATOR'S MANUAL**  
**HOLMAN CONVEYOR TOASTERS**  
**MODELS T710(H, TW, TX) T714(H, TW, TX) S710(H) S714(H) B710H**

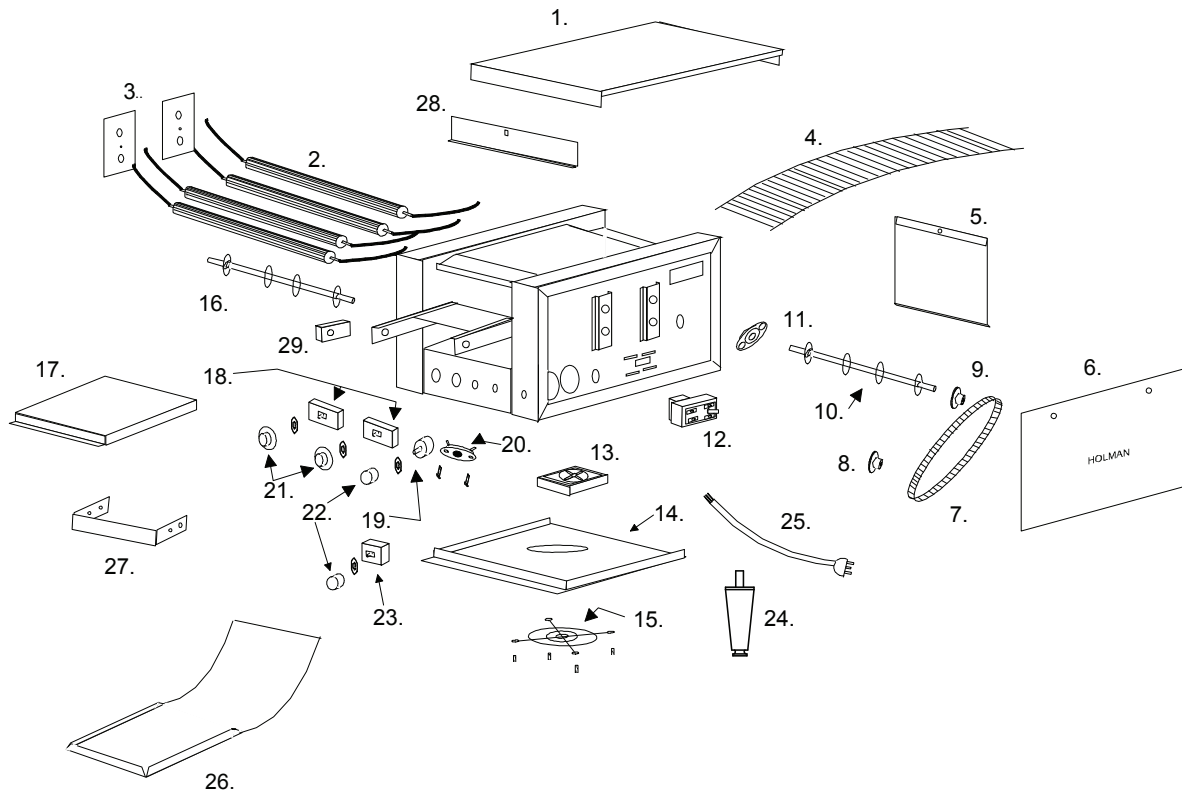
PARTS LIST /EXPLODED VIEW MODEL TX714(H)



Model: T714 (H)							
	PART #	QTY	DESCRIPTION		PART #	QTY	DESCRIPTION
1)	<a href="#">GC-400847</a>	1	Top Cover	13)	<a href="#">2U-200560</a>	1	Fan Motor
2)	<a href="#">HT-197850</a>	4	Heater Tube, 240 Volt	14)	<a href="#">HT-100312</a>	1	Control Box Cover
2a)	<a href="#">HT-197846</a>	4	Heater Tube, 220 Volt	15)	<a href="#">2R-200562</a>	1	Fan Guard
2b)	<a href="#">HT-197851</a>	4	Heater Tube, 208 Volt	16)	<a href="#">2A-202904</a>	1	Idler Shaft
3)	NLA	4	Retainer, Heater Tube	17)	<a href="#">HO-100508</a>	1	Crumb Tray
4)	<a href="#">HM-160004</a>	1	Conveyor Belt	18)	<a href="#">2J-200538</a>	2	Infinite Switch
5)	<a href="#">HT-400853</a>	1	Back Panel, Low	19)	<a href="#">SP-118042</a>	1	Speed Control
5a)	<a href="#">HT-400926</a>	1	Back Panel, High	20)	<a href="#">2E-200566</a>	1	Reset Switch
6)	<a href="#">HO-401486</a>	1	Side Panel, Low	21)	<a href="#">2R-200702</a>	1	Knob, Infinite Switch
6a)	NLA	1	Side Panel, High	22)	<a href="#">2R-200703</a>	2	Knob, Speed control/Power Saver
7)	<a href="#">2P-200663</a>	1	Drive Chain	23)	<a href="#">SP-115142</a>	1	Power Saver Switch
8)	<a href="#">2P-200645</a>	1	Drive Sprocket	24)	<a href="#">2R-Y5092</a>	4	Leg, 4" Plastic
9)	<a href="#">2P-Z8779</a>	1	Driven Sprocket	25)	<a href="#">HJ-140027</a>	4	Cord/Plug Set
10)	<a href="#">2A-202902</a>	1	Drive Shaft	26)	<a href="#">HT-400846</a>	1	Toast Chute
11)	<a href="#">HA-112261</a>	1	Bearings	27)	<a href="#">HM-401089</a>	1	Extension Guard
12)	<a href="#">2U-200509</a>	1	Drive Motor	28)	<a href="#">HM-400899</a>	1	Heat Shutter (H model only)

**OPERATOR'S MANUAL  
HOLMAN CONVEYOR TOASTERS  
MODELS T710(H, TW, TX) T714(H, TW, TX) S710(H) S714(H) B710H**

PARTS LIST /EXPLODED VIEW MODEL TX710(H), 208, 240 VOLT

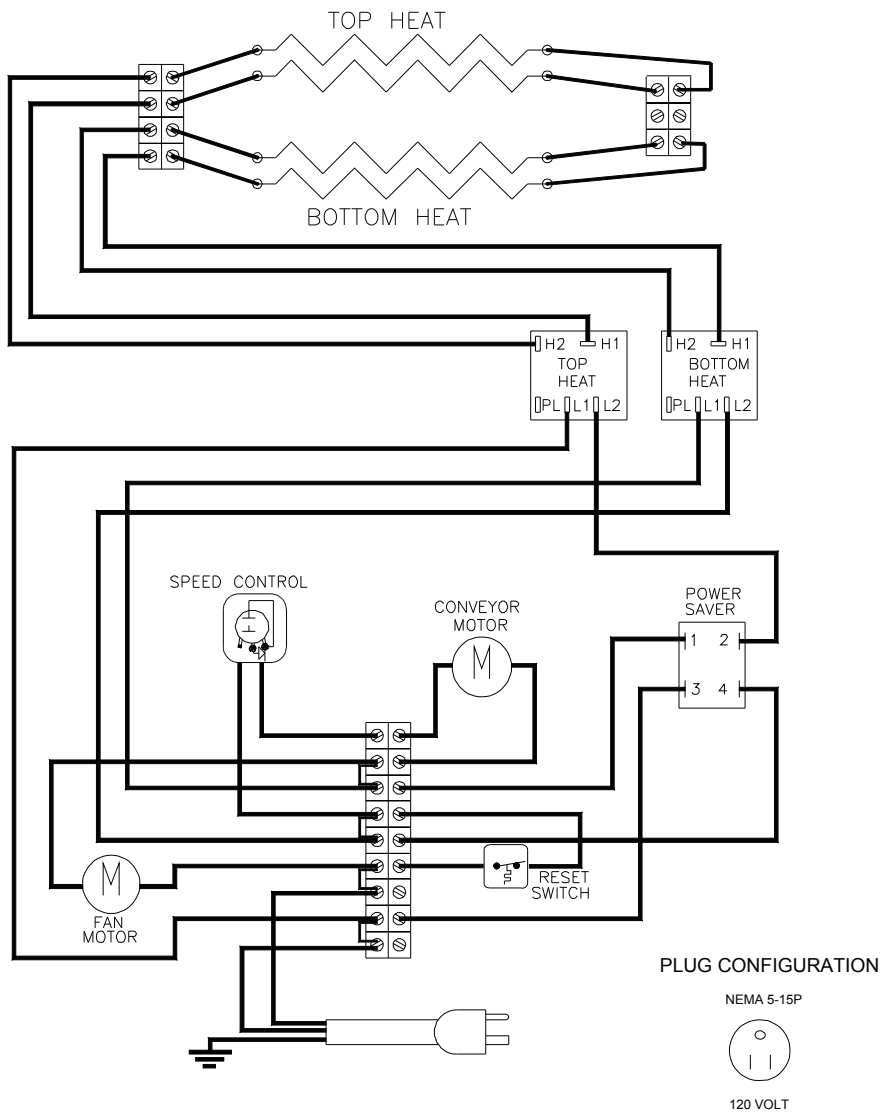


Model: TX710 (H) 120, 208, 240V METAL ELEMENTS							
	<u>PART No.</u>	<u>QTY</u>	<u>DESCRIPTION</u>		<u>PART No.</u>	<u>QTY.</u>	<u>DESCRIPTION</u>
1)	<a href="#">HO-400821</a>	1	Cover, Top	15)	<a href="#">2R-200562</a>	1	Fan Guard
2)	<a href="#">2N-209197</a>	4	Heater Tube, 208V TX710	16)	<a href="#">2A-202904</a>	1	Idler Shaft
2a)	<a href="#">HO-199106</a>	4	Heater Tube, 240V TX710	17)	<a href="#">HO-100511</a>	1	Crumb Tray
2)	<a href="#">2N-209197</a>	4	Heater Tube, 208V TX710H	18)	<a href="#">2J-200538</a>	2	Infinite Switch, 208/240 Volt
2a)	<a href="#">2N-209193</a>	4	Heater Tube, 240V TX710H	19)	<a href="#">SP-118040</a>	1	Speed control, 208/240 Volt
3)	<a href="#">HO-401276</a>	4	Retainer, Heater Tube	20)	<a href="#">2E-200566</a>	1	Reset/High Limit
4)	<a href="#">HM-160004</a>	1	Conveyor Belt	21)	<a href="#">2R-200702</a>	2	Knob, Infinite Switch
5)	<a href="#">HO-400925</a>	1	Back Panel, High	22)	<a href="#">2R-200703</a>	1	Knob, Speed Cont'l/ Pwr Saver
6)	NLA	2	Side Panel, High (H)	24)	<a href="#">2R-Y5092</a>	4	Leg, 4" Plastic
7)	<a href="#">2P-200662</a>	1	Drive Chain	25)	<a href="#">2E-200376</a>	1	Power Supply Cord, 208/240V
8)	<a href="#">2P-200645</a>	1	Drive Sprocket	26)	<a href="#">HO-400825</a>	1	Toast Chute
9)	<a href="#">2P-Z8779</a>	2	Driven Sprocket	27)	<a href="#">GA-401131</a>	1	Extension Guard
10)	<a href="#">2A-202900</a>	1	Drive Shaft	28)	<a href="#">GA-400891</a>	1	Heat Shutter (H Model Only)
11)	<a href="#">HA-112261</a>	2	Bearings, Rear	29)	<a href="#">2P-200693</a>	2	Idler Bushing
12)	<a href="#">2U-200509</a>	1	Drive Motor, 208/240 Volt				
13a)	<a href="#">2U-200560</a>	1	Fan Motor, 208/240 Volt				
14)	<a href="#">HO-401462</a>	1	Control Box Cover				

**OPERATOR'S MANUAL  
HOLMAN CONVEYOR TOASTERS  
MODELS T710(H, TW, TX) T714(H, TW, TX) S710(H) S714(H) B710H**

**WIRING DIAGRAM FOR MODEL T710(H & TW) 120 VOLT  
TX710(H) 120 VOLT**

**WIRE DIAGRAM  
FOR MODEL T710(H), TX710(H) - 120 VOLT**

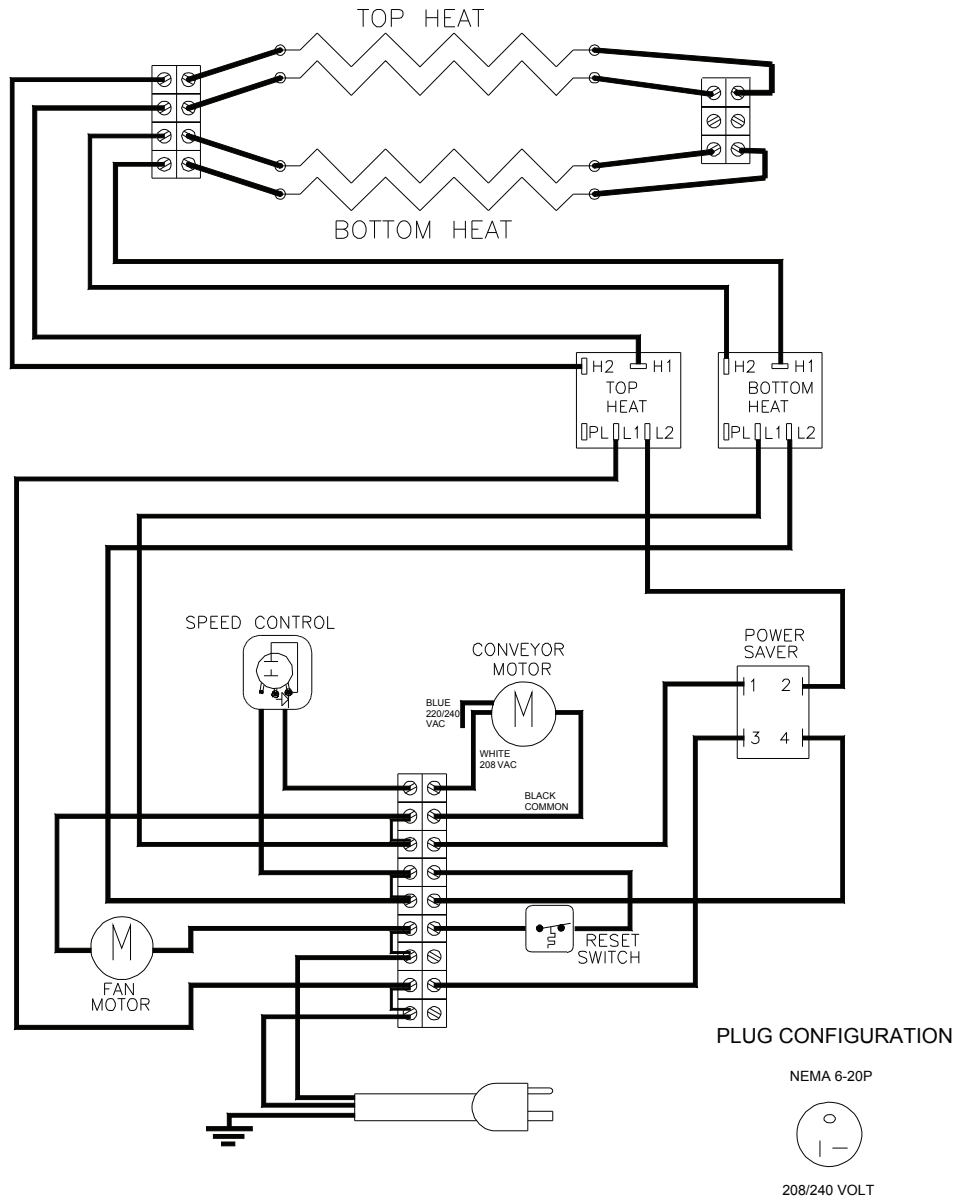


REV. 9/15/98 MJC  
H:\TOASTERS\T710\  
120VAC\WIRDIAG\  
T710SCM.DS4

REVISED 9/10/2008

**OPERATOR'S MANUAL  
HOLMAN CONVEYOR TOASTERS  
MODELS T710(H, TW, TX) T714(H, TW, TX) S710(H) S714(H) B710H**

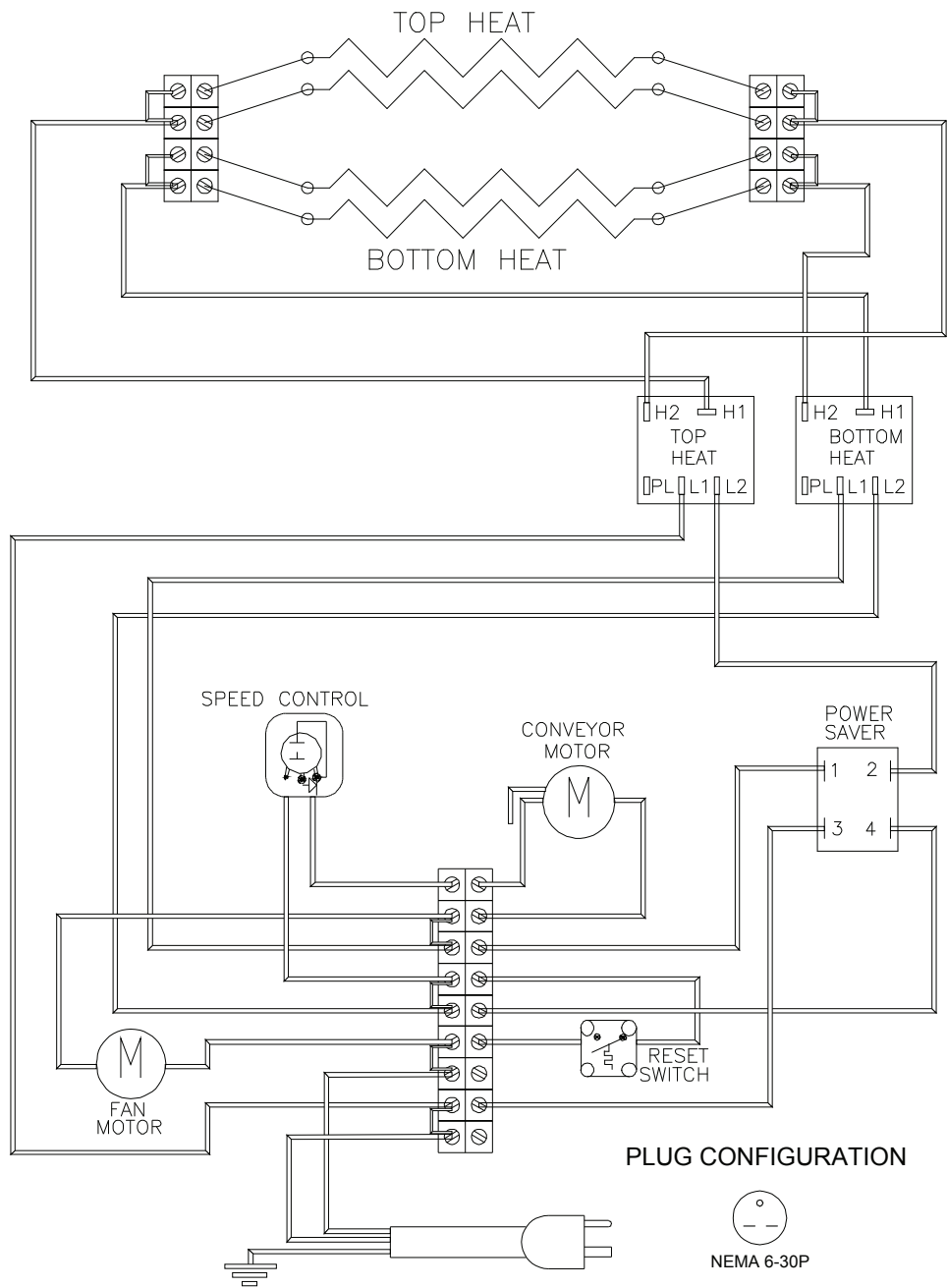
**WIRING DIAGRAM FOR MODEL T710(H & TW) 208, 240 VOLT  
TX710(H) 208, 240 VOLT  
T714(H) 208, 240 VOLT (3.2 KW)**



REV. 9/15/98 MJC  
H:\TOASTERS\T710\  
208VAC\WIRDIAG\  
T710SCM.DS4  
REVISED 9/10/2008

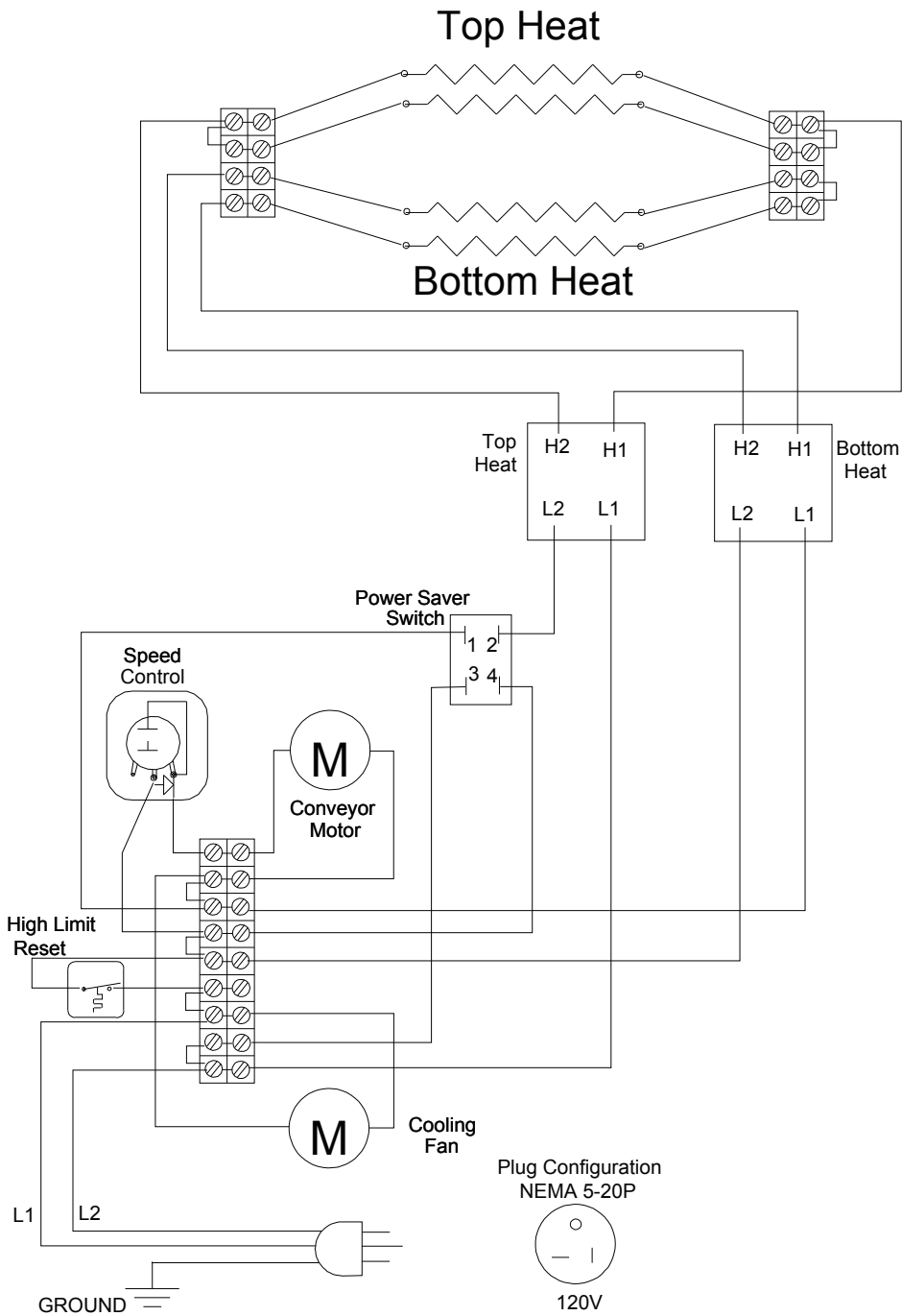
**MODELS T710(H, TW, TX) T714(H, TW, TX) S710(H) S714(H) B710H**

**WIRING DIAGRAM FOR MODEL T714(H & TW) TX714, 3.6 kW 208, 240 VOLTS, WIRED PARELLEL**



REVISED 9/10/2008

**WIRING DIAGRAM FOR MODEL B710(H), 120 VOLT**

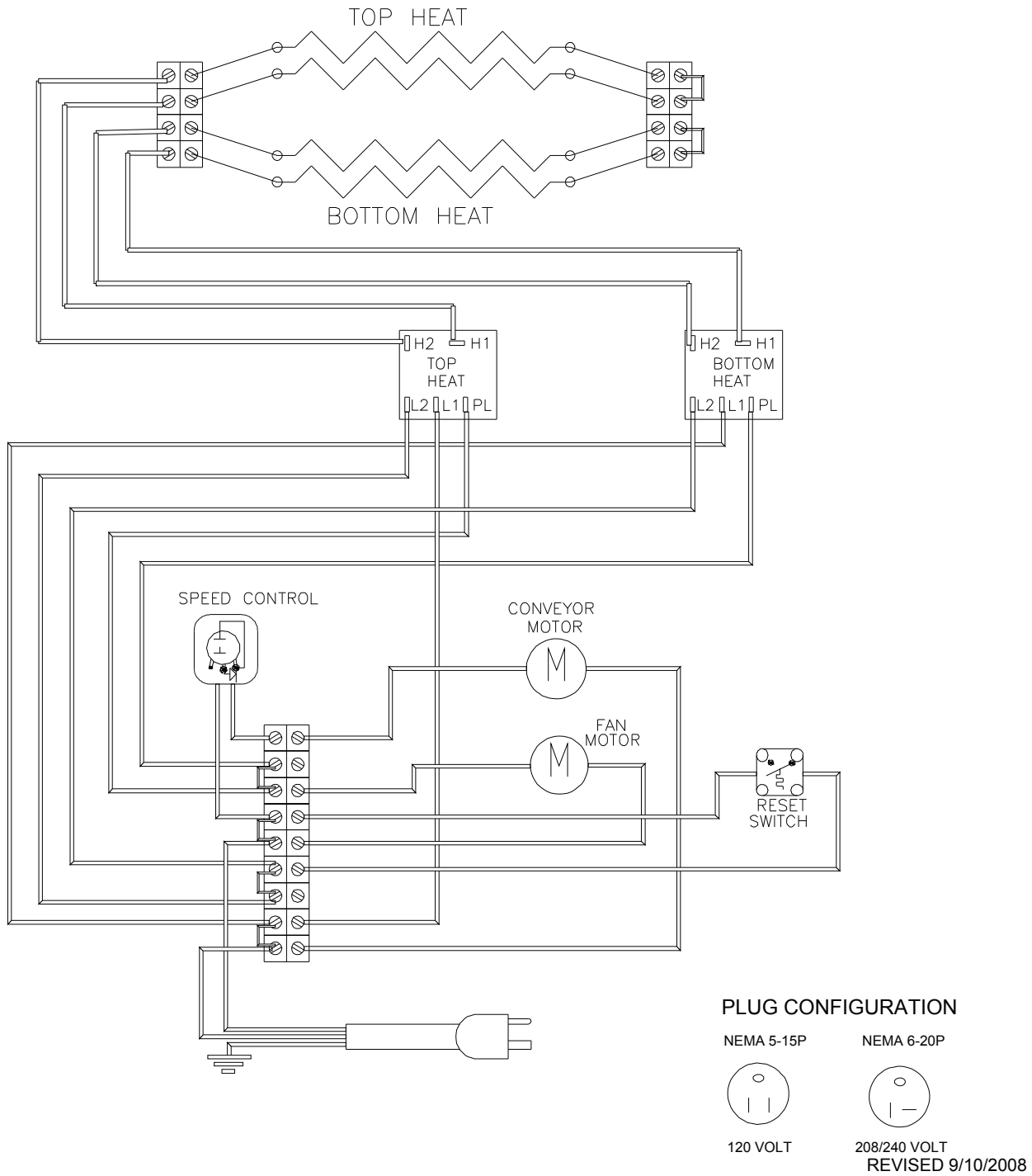


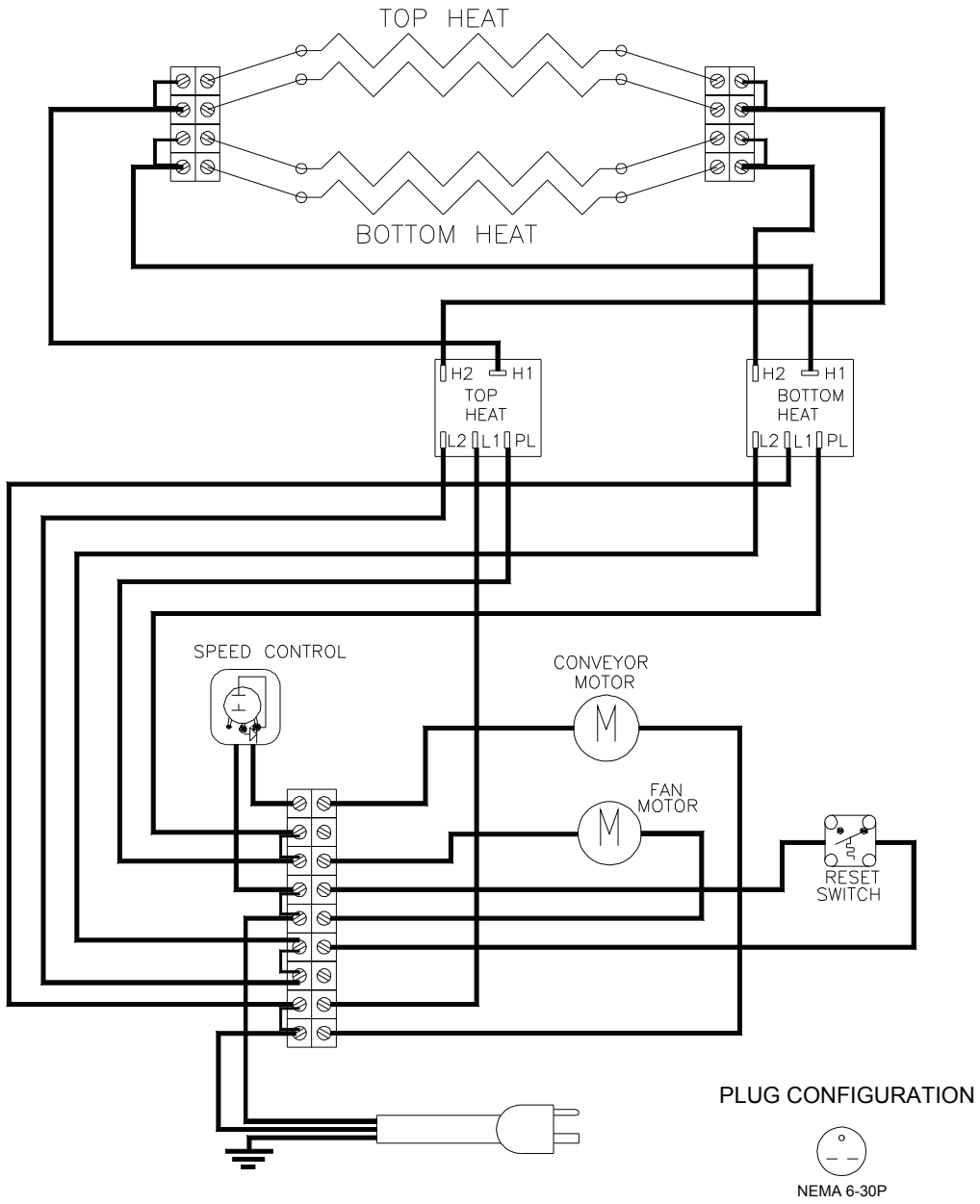
REVISED 9/10/2008

**OPERATOR'S MANUAL  
 HOLMAN CONVEYOR TOASTERS  
 MODELS T710(H, TW, TX) T714(H, TW, TX) S710(H) S714(H) B710H**

**WIRING DIAGRAM FOR MODEL S710(H), 120, 208, 240 VOLT**

**MODEL TX710 WITH OUT POWER SAVER 120, 208, 240 VOLT**





REVISED 9/10/2008