

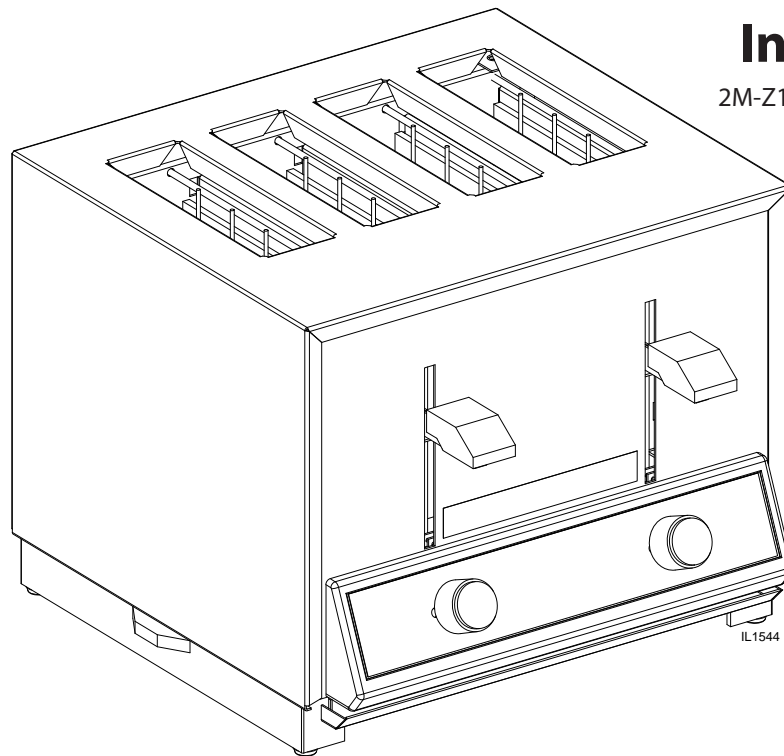


SOLID STATE SLOT TOASTER

MODEL
T2, T4
CT4 & BT4

Installation and Operation Instructions

2M-Z11894 Rev. - 2/05/2013



BT4



SAFETY SYMBOL



These symbols are intended to alert the user to the presence of important operating and maintenance instructions in the manual accompanying the appliance.

RETAIN THIS MANUAL FOR FUTURE REFERENCE NOTICE

Using any part other than genuine Star factory supplied parts relieves the manufacturer of all liability.

Star reserves the right to change specifications and product design without notice. Such revisions do not entitle the buyer to corresponding changes, improvements, additions or replacements for previously purchased equipment.

Due to periodic changes in designs, methods, procedures, policies and regulations, the specifications contained in this sheet are subject to change without notice. While Star International Holdings Inc., Company exercises good faith efforts to provide information that is accurate, we are not responsible for errors or omissions in information provided or conclusions reached as a result of using the specifications. By using the information provided, the user assumes all risks in connection with such use.

MAINTENANCE AND REPAIRS

Contact your local authorized service agent for service or required maintenance.

Please record the model number, serial number, voltage and purchase date in the area below and have it ready when you call to ensure a faster service.

Model No. _____
Serial No. _____
Voltage _____
Purchase Date _____

Authorized Service Agent Listing

Reference the listing provided with the unit

or

for an updated listing go to:

Website: www.star-mfg.com
E-mail Service@star-mfg.com

Service Help Desk

Business Hours: 8:00 am to 4:30 p.m. Central Standard Time

Telephone: (314) 678-6303

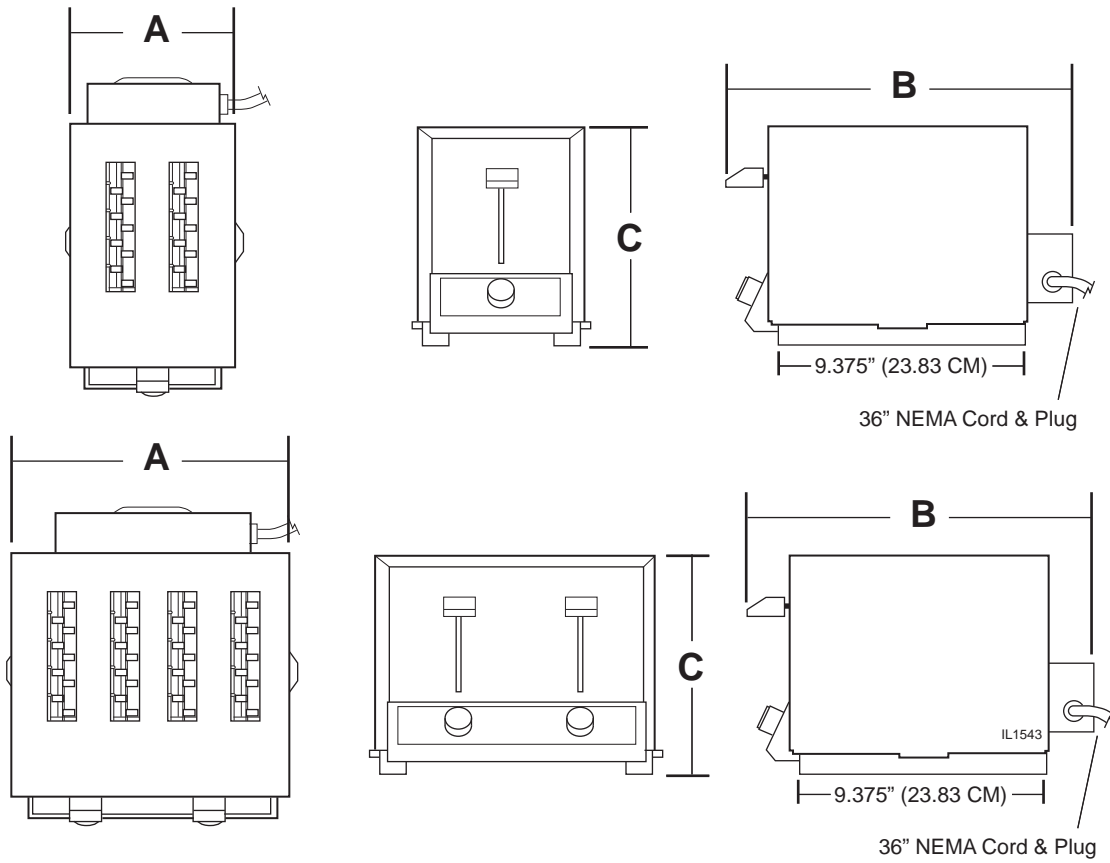
Fax: (314) 781-2714

E-mail Parts@star-mfg.com
Service@star-mfg.com
Warranty@star-mfg.com

Website: www.star-mfg.com

Mailing Address: Star International Holdings Inc., Company
10 Sunnen Drive
St. Louis, MO 63143
U.S.A

Solid State, 2 & 4 Slot, Pop-Up Toasters



SPECIFICATIONS:

Holman Model	Slots	Slices per Hr	Elec Supply	Amp	Kw	Cord	Slot		Unit			Approx. Ship Weight
							Width	Depth	Width "A"	Depth "B"	Height "C"	
T2-120V	2	150	120V	9.0	1.1	5-15P	1-1/8"	5-1/4"	6-5/8"	13-3/8"	9-3/16"	12.3lbs / 5.58kg
T2-240V			208/240V	4.8 / 5.4	1.0 / 1.3	6-15P						
T4-120V	4	250	120V	18.3	2.2	5-20P	1-1/8" / 1-5/8"	5-1/4"	11-7/16"	13-3/8"	9-3/16"	21lbs / 9.53 kg
T4-208/240V		250/300	208/240V	9.6 / 10.8	2.0/2.6	6-15P						
T4-208V			208V	12.5	2.6	6-20P						
CT4-120V	4	150/150	120V	16.6	2	5-20P	1-1/8" / 1-5/8"	5-1/4"	11-7/16"	13-3/8"	9-3/16"	21lbs / 9.53 kg
CT4-240V			208/240V	8.0 / 9.2	1.7/2.2	6-15P						
BT4-120V	4	250	120V	15.0	1.8	5-20P	1-5/8"	5-1/4"	11-7/16"	13-3/8"	9-3/16"	21lbs / 9.53 kg
BT4-240V			208/240V	7.7 / 7.5	1.6/1.8	6-15P						

GENERAL INFORMATION



This equipment is designed and sold for commercial use only by personnel trained and experienced in its operation and is not sold for consumer use in and around the home nor for use directly by the general public in food service locations.

Before using your new equipment, read and understand all the instructions & labels associated with the unit prior to putting it into operation. Make sure all people associated with its use understand the units operation & safety before they use the unit.

INSPECTION

UN-CRATING AND INSPECTING

Unpack the unit and components from the shipping container. Remove all visible packing material and those from inside the cooking chamber. If damage is discovered, file a claim immediately with the carrier that handled the shipment. Do not operate the unit if it was damaged during shipping. All shipping containers should be checked for freight damage both visible and concealed. This unit has been tested and carefully packaged to insure delivery of your unit in perfect condition. If equipment is received in damaged condition, either apparent or concealed, a claim must be made with the delivering carrier.

Concealed damage or loss - if damage or loss is not apparent until after equipment is unpacked, a request for inspection of concealed damage must be made with carrier within 15 days. Be certain to retain all contents plus external and internal packaging materials for inspection. The carrier will make an inspection and will supply necessary claim forms.

ASSEMBLY AND INSTALLATION

The unit was shipped fully assembled and ready to plug into a standard outlet specified for its voltage and amp draw. If improper electrical supply is determined, contact a qualified electrician prior to using the unit. Removal and replacement of the power cord and plug will void the warranty. For assistance, contact your local authorized service agent for service or required maintenance.

Before using the unit for the first time, wipe down the exterior with a damp cloth.

Allow enough space around the toaster for adequate ventilation. Do not operate the unit without the crumb tray properly positioned. Overheating and poor toasting may occur. Read all labels on the unit and follow their instructions.

INSTALLATION

These models are equipped for the voltage and wattage indicated on the nameplate. The nameplate is located on the back of the unit. These units are designed to operate on alternating current (A.C.), two wire single phase service only and are equipped with an approved lead in cord set with a three prong grounding type plug.

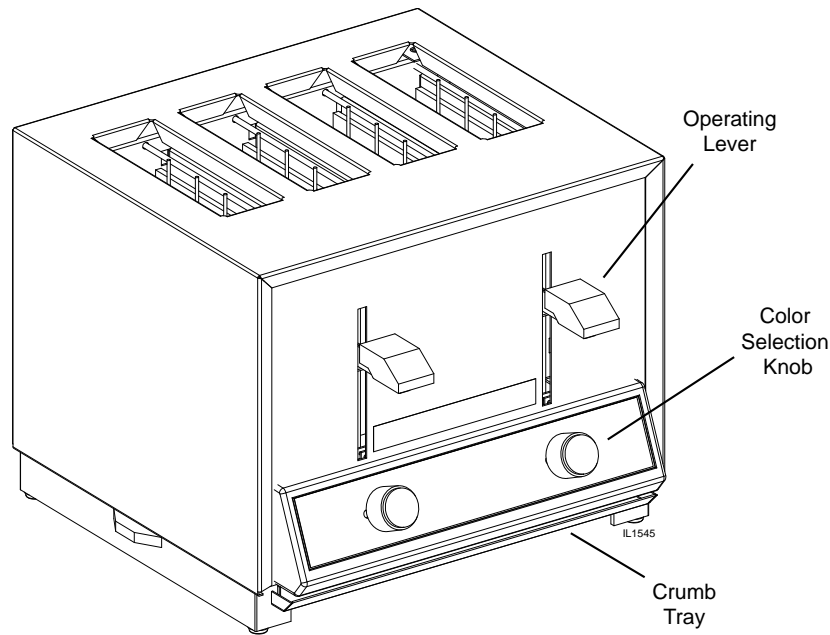
ELECTRICAL CONNECTION

Once the unit is in position, verify the electrical supply matches the units requirements, located on the rear of the toaster.

DO NOT CONNECT TO ANY OTHER TYPE OF VOLTAGE OR THE MACHINE WILL BE SERIOUSLY DAMAGED.



DO NOT USE FOREIGN OBJECTS TO REMOVE THE TOAST. DOING SO MAY CAUSE DAMAGE TO THE ELEMENTS OR POSSIBLE LOSS OF LIFE.



OPERATION

Color Selection

For first toasting, set adjustment knob between "Light and Dark." Drop bread in toasting wells. Press down front handle as far as it will go. This automatically lowers the bread, turns on the heating elements and starts the timing. When toast is finished it will pop up and automatically turn off the elements. Adjust the color selection knob until the correct setting is desired.

Turn "LEFT" for a lighter toasting and "RIGHT" for a darker toasting.

Bread Release

Avoid lifting the handle to inspect the product while it is toasting. Restarting the toaster will reset the timing cycle and toast may burn. The toaster is automatic and will pop up the toasting cycle is finished. The manual bread release is for use in emergencies only.

Toasting Hint:

For best results use 2 day old bread. Some breads will toast better if dropped in sideways or upside down. Different brands of bread will have various toasting qualities. Very fresh or moist bread of uneven texture and bread that is not sliced evenly will not make good toast. Avoid use of small unevenly cut slices. When using different kinds of bread, it may be necessary to change the timer adjustment to get the desired color. Sliced bread that has been opened will be dryer on one side than the other and it will toast darker on the dryer side.

Check Line Capacity 4 Slice Toaster

On the 4 slice toaster, adjust each section independently with the other section turned off. After both sections are properly adjusted, and with out changing the adjustments, make toast in both sections at the same time. If it takes longer and if the color of toast is lighter when both sections are operated at the same time, it usually indicates that the electric line supplying the current is not heavy enough to carry the load. In such cases larger wires are to be used to supply sufficient current to the toaster.

CLEANING

Keep toaster clean and free of excessive crumbs. To remove crumbs, remove tray, empty crumbs then push the tray back in place. Crumb tray must be in place before toasting. If partially opened, it will disturb the proper timing.



Do not immerse toaster in water or hose down with water to clean. Use a damp soft cloth with a very mild soap to wipe down outside of toaster.

THOROUGHLY INSPECT YOUR UNIT ON ARRIVAL

This unit has been tested for proper operation before leaving our plant to insure delivery of your unit in perfect condition. However, there are instances in which the unit may be damaged in transit. In the event you discover any type of damage to your product upon receipt, you must immediately contact the transportation company who delivered the item to you and initiate your claim with same. If this procedure is not followed, it may affect the warranty status of the unit.

LIMITED EQUIPMENT WARRANTY

All workmanship and material in Star products have a one (1) year limited warranty on parts & labor in the United States and Canada. Such warranty is limited to the original purchaser only and shall be effective from the date the equipment is placed in service. Star's obligation under this warranty is limited to the repair of defects without charge, by the factory authorized service agency or one of its sub-agencies. Models that are considered portable (*see below*) should be taken to the closest Star service agency, transportation prepaid.

- > Star will not assume any responsibility for loss of revenue.
- > On all shipments outside the United States and Canada, see International Warranty.
- * The warranty period for the Ultra-Max, Hot Plates, Griddles, Charbroilers is (3) years parts & labor.
- * The warranty period for the Star-Max, Charbroilers, Griddles, Hot Plates, Fryers & Finishing Oven is (2) years parts & labor.
- * The warranty period for the JetStar six (6) ounce & Super JetStar eight (8) ounce series popcorn machines is two (2) years.
- * The warranty period for the Chrome-Max Griddles is five (5) years on the griddle surface. See detailed warranty provided with unit.
- * The warranty period for Teflon/Dura-Tec coatings is one year under normal use and reasonable care. This warranty does not apply if damage occurs to Teflon/Dura-Tec coatings from improper cleaning, maintenance, use of metallic utensils, or abrasive cleaners, abrasive pads, product identifiers and point-of-sale attachments, or any other non-food object that comes in continuous contact with the roller coating. This warranty does not apply to the "non-stick" properties of such materials.
- > This warranty does not apply to "Special Products" but to regular catalog items only. Star's warranty on "Special Products" is six (6) months on parts and ninety (90) days on labor.
- > This warranty does not apply to any item that is disassembled or tampered with for any purpose other than repair by a Star Authorized Service Center or the Service Center's sub-agency.
- > This warranty does not apply if damage occurs from improper installation, misuse, wrong voltage, wrong gas or operated contrary to the Installation and Operating instructions.
- > This warranty is not valid on Conveyor Ovens *unless* a "start-up/check-out" has been performed by a Factory Authorized Technician.

PARTS WARRANTY

Parts that are sold to repair out of warranty equipment are warranted for ninety (90) days. The part only is warranted, the labor to replace the part is **NOT** warranted.

SERVICES NOT COVERED BY WARRANTY

1. Travel time and mileage rendered beyond the 50 mile radius limit
2. Mileage and travel time on portable equipment (*see below*)
3. Labor to replace such items that can be replaced easily during a daily cleaning routine, ie; removable kettles on fryers, knobs, grease drawers on griddles, etc.
4. Installation of equipment
5. Damages due to improper installation
6. Damages from abuse or misuse
7. Operated contrary to the Operating and Installation Instructions
8. Cleaning of equipment
9. Seasoning of griddle plates
10. Voltage conversions
11. Gas conversions
12. Pilot light adjustment
13. Miscellaneous adjustments
14. Thermostat calibration and by-pass adjustment
15. Resetting of circuit breakers or safety controls or reset buttons
16. Replacement of bulbs
17. Replacement of fuses
18. Repair of damage created during transit, delivery, & installation OR created by acts of God

PORTABLE EQUIPMENT

Star will not honor service bills that include travel time and mileage charges for servicing any products considered "Portable" including items listed below. These products should be taken to the Service Agency for repair:

- * The Model 510FD, 510FF Fryer.
- * The Model 526TOA Toaster Oven.
- * The Model J4R, 4 oz. Popcorn Machine.
- * The Model 518CMA & 526CMA Cheese Melter.
- * The Model 12MC & 15MC & 18MCP Hot Food Merchandisers.
- * The Model 12NCPW & 15NCPW Nacho Chip/Popcorn Warmer.
- * All Hot Dog Equipment **except Roller Grills & Drawer Bun Warmers.**
- * All Nacho Cheese Warmers **except Model 11WLA Series Nacho Cheese Warmer.**
- * All Condiment Dispensers **except the Model HPD & SPD Series Dispenser.**
- * All Specialty Food Warmers **except Model 130R, 11RW Series, and 11WSA Series.**
- * All QCS/RCS Series Toasters **except Model QCS3 & RCS3 Series.**
- * All Fast Steamer Models **except Direct Connect Series.**

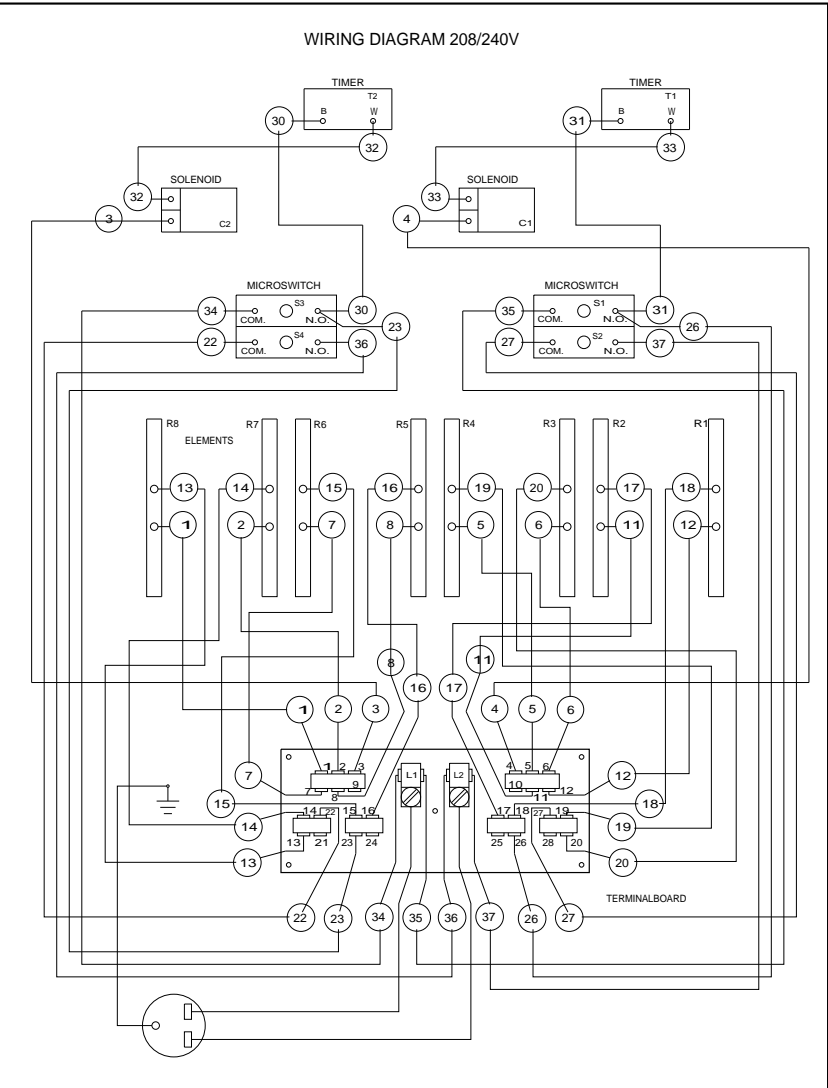
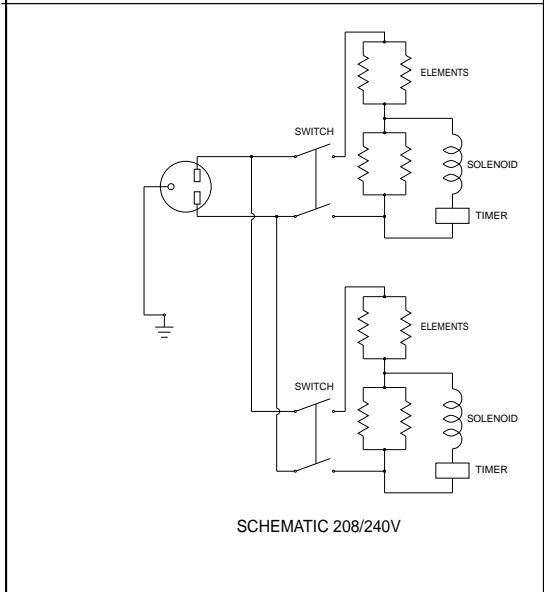
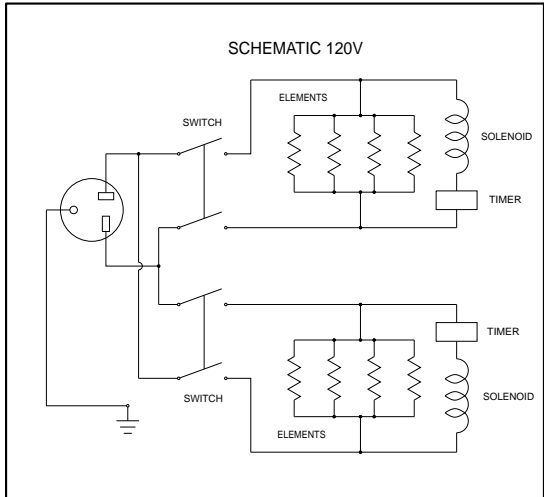
ALL:

- * Pop-Up Toasters
- * Butter Dispensers
- * Pretzel Merchandisers (Model 16PD-A Only)
- * Pastry Display Cabinets
- * Nacho Chip Merchandisers
- * Accessories of any kind
- * Sneeze Guards
- * Pizza Ovens (Model PO12 Only)
- * Heat Lamps
- * Pumps-Manual

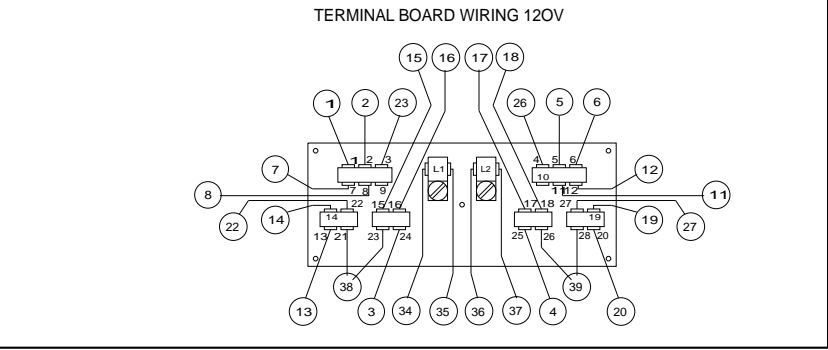
The foregoing warranty is in lieu of any and all other warranties expressed or implied and constitutes the entire warranty.

FOR ASSISTANCE

Should you need any assistance regarding the Operation or Maintenance of any Star equipment; write, phone, fax or email our Service Department. In all correspondence mention the Model number and the Serial number of your unit, and the voltage or type of gas you are using.



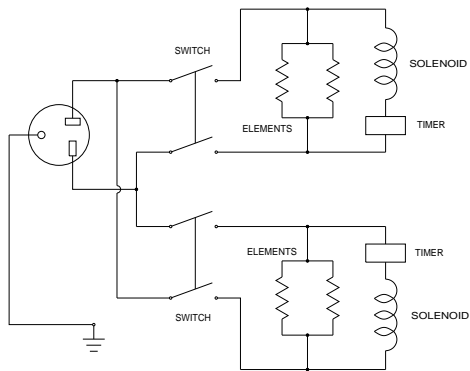
MODEL NO.	VOLTAGE	WATTS	AMPERES PER LINE	
			L1	L2
T4	120	2200	18.3	
T4	208/240	2000	9.6	9.6
		2600	10.8	10.8
T4	208	2600	12.5	12.5



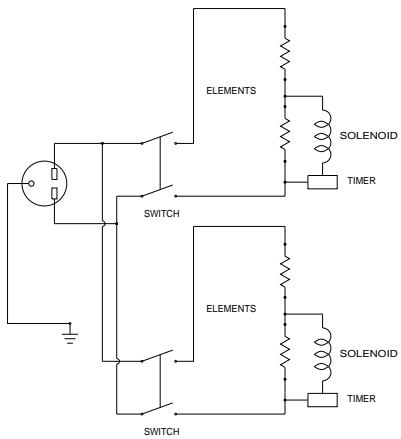
SOME ITEMS ARE INCLUDED FOR ILLUSTRATIVE PURPOSES ONLY AND IN CERTAIN INSTANCES MAY NOT BE AVAILABLE

T4 POP-UP TOASTERS WIRING DIAGRAM





SCHEMATIC 120V

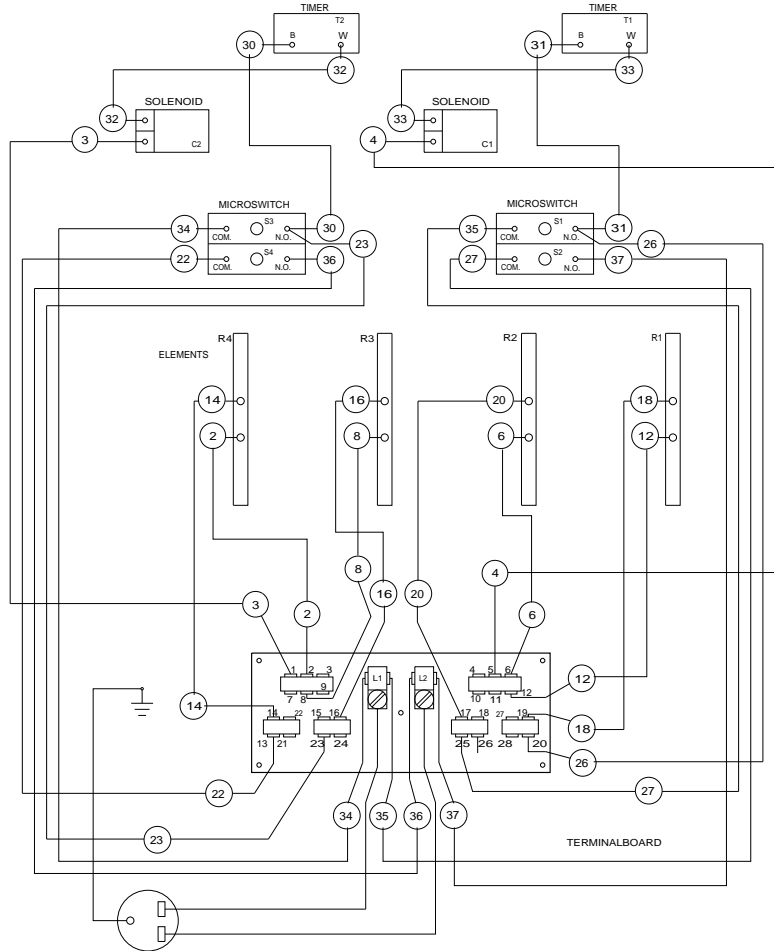


SCHEMATIC 208/240V

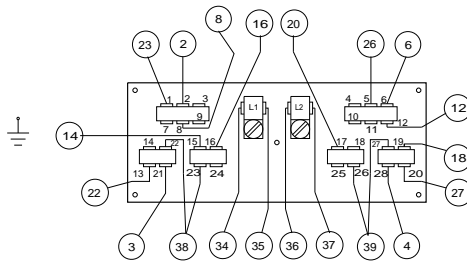
MODEL NO.	VOLTAGE	WATTS	AMPERES
BT4	120	1800	15.0
BT4	208/240	1600/1800	7.5

NOTES: WIRING SHOWN AS VIEWED FROM THE REAR OF THE APPLIANCE.

WIRING DIAGRAM 208/240V



TERMINAL BOARD WIRING 120V

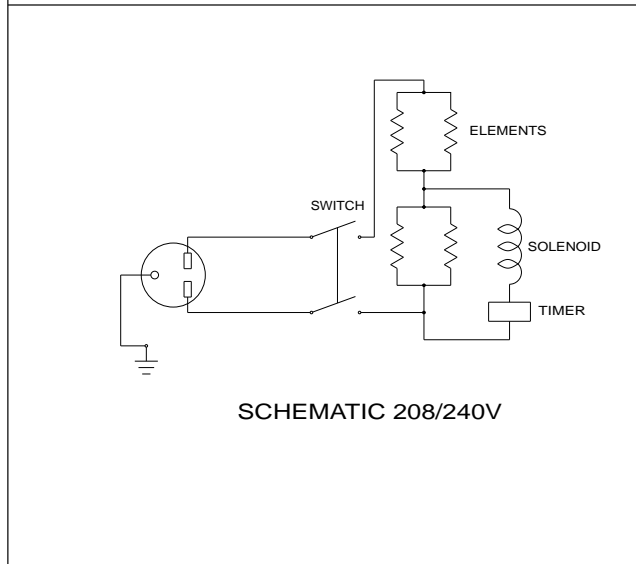
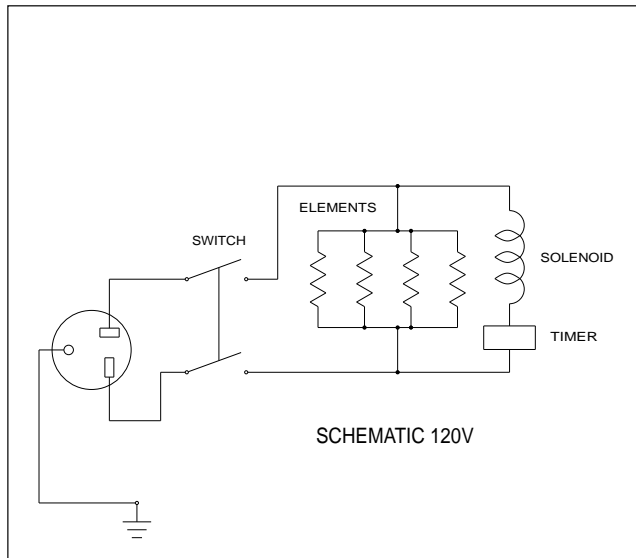


SOME ITEMS ARE INCLUDED FOR ILLUSTRATIVE PURPOSES ONLY AND IN CERTAIN INSTANCES MAY NOT BE AVAILABLE

**BT4 POP-UP TOASTERS
WIRING DIAGRAM**

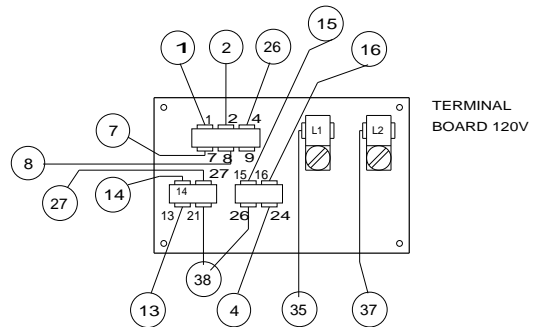
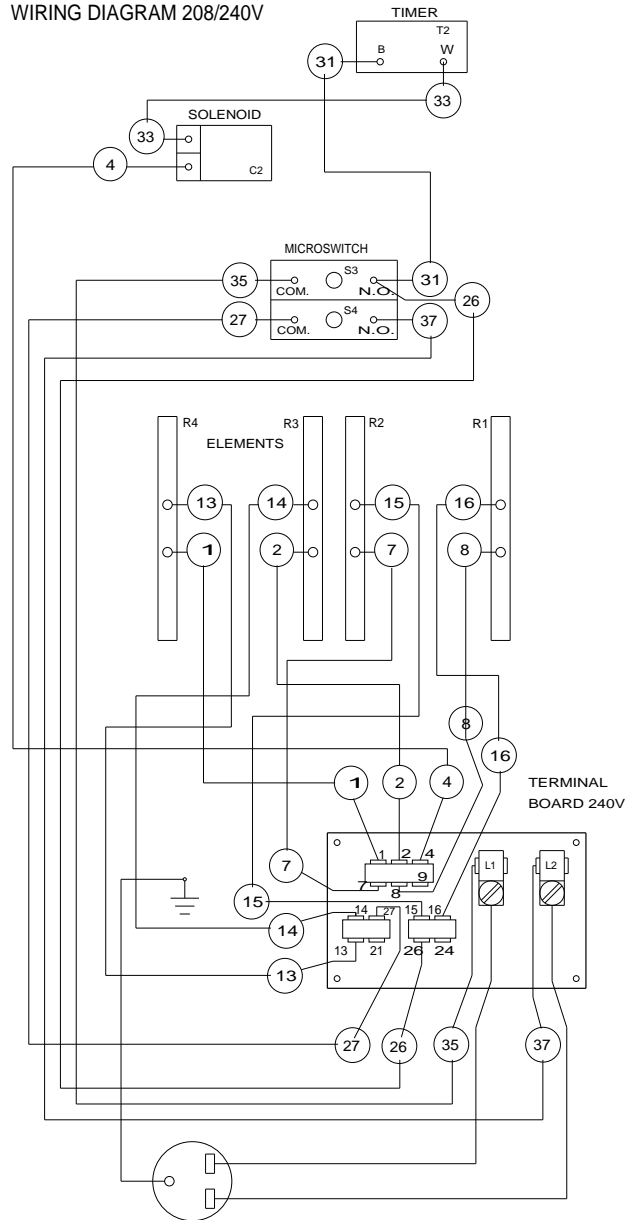


SK2394 Rev. - 9/15/2008



MODEL NO.	VOLTAGE	WATTS	AMPERES
T2	120	1100	9.2
T2	208/240	1000/1300	4.8/5.4

WIRING DIAGRAM 208/240V

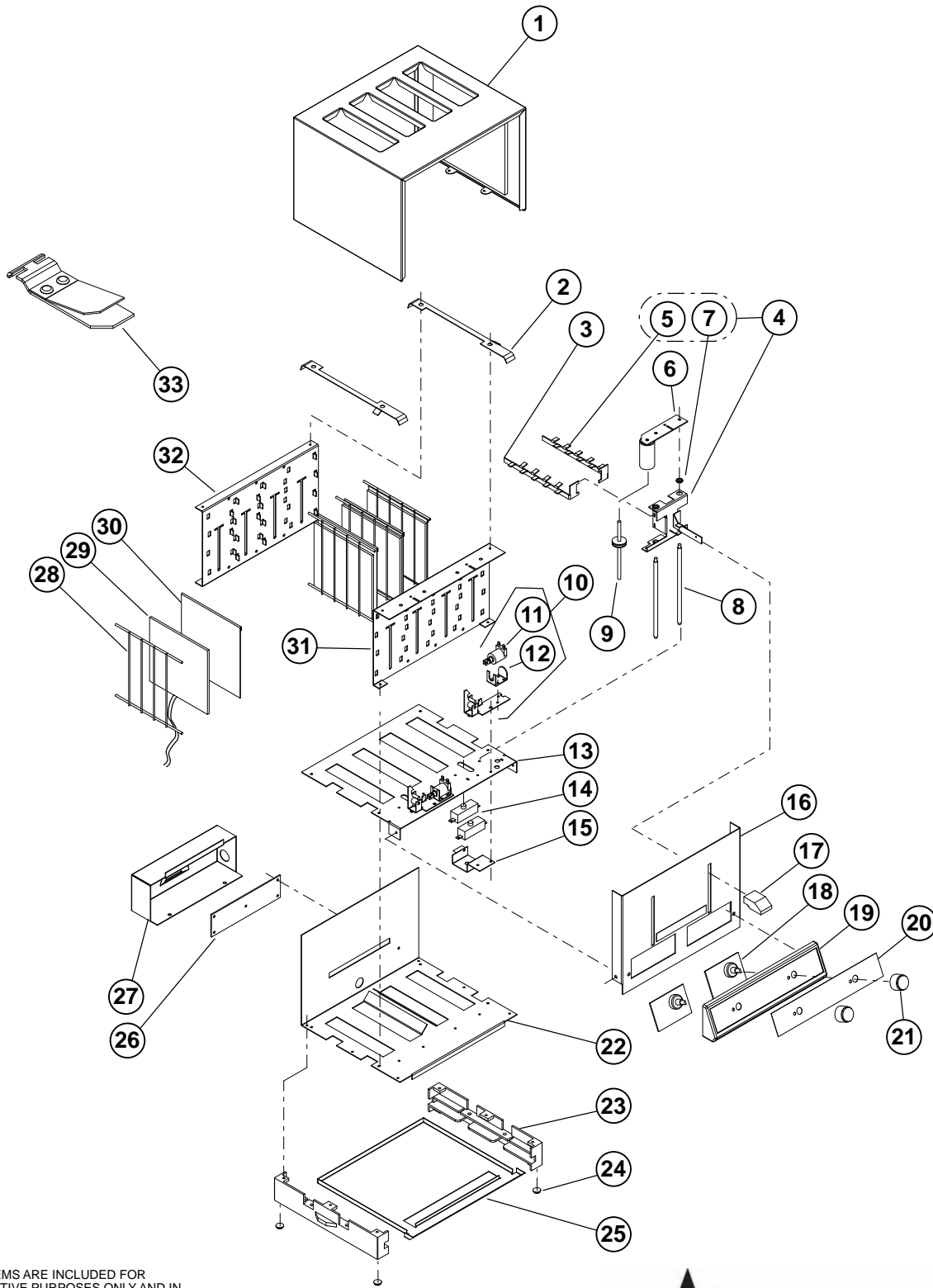


SOME ITEMS ARE INCLUDED FOR ILLUSTRATIVE PURPOSES ONLY AND IN CERTAIN INSTANCES MAY NOT BE AVAILABLE

T2 POP-UP TOASTERS
WIRING DIAGRAM



SK2395 Rev. - 9/15/2008



SOME ITEMS ARE INCLUDED FOR ILLUSTRATIVE PURPOSES ONLY AND IN CERTAIN INSTANCES MAY NOT BE AVAILABLE

MODEL: T2, T4, BT4, CT4 POP-UP TOASTERS



PARTS LIST

July 9, 2012, Rev. -

MODELS; T2, T4, CT4, BT4 SOLID STATE SLOT TOASTER				
Fig No	Part No	Qty	Description	Application
1	A8-35404	1	ASSY, COVER & INSULATION	T2
	A8-39295		ASSY, TOP COVER & INSUL	T4
	A8-39296			BT4
	A8-39865			CT4
2	A8-32523	1	SPACER, STRINGER SUPPORT	BT4, CT4, T4
	A8-34455			BT4, CT4, T4
3	A8-32541	1	SUPPORT, BREAD LEFT HAND	T2
		2		BT4, CT4, T4
4	A8-32540	2/4	ASSY, SUPPORT ELEVATOR	
5	A8-32542	1	SUPPORT, BREAD RIGHT HAND	T2
		2		BT4, CT4, T4
6	A8-7606061	1	ASSY, BRACKET & CYLINDER	T2
		2		BT4, CT4, T4
7	2A-7002277	4	BUSHING	T2
		8		BT4, CT4, T4
8	2A-7002276	2	SHAFT, VERTICAL, 304 S/S	T2
		4		BT4, CT4, T4
9	A8-7606063	1	ASSY, PISTON	T2
		2		BT4, CT4, T4
10	A8-7606065	1	ASSY, SOLENOID & LATCH	
		2		BT4, CT4, T4
11	2E-3003505	2	SOLENOID, TOASTER	BT4, CT4
12	A8-7002282	1	BRACKET, SOLENOID MTG	T2
		2		BT4, CT4, T4
13	A8-33310	1	ASSY, CHASIS TOP	BT4, CT4, T4
14	2E-47823	2	SWITCH, 20 AMP	T2
		4		BT4, CT4, T4
15	A8-7001568	1	BRACKET, SWITCH	T2
		2		BT4, CT4, T4
16	A8-35368	1	PLATE, TOASTER FRONT 2	T2
	A8-39249		PLATE, TOASTER FRONT 4	BT4, CT4, T4
17	2R-39382	1	KNOB TOASTR CTRL (POP UP)	T2
		2		BT4, CT4, T4
18	2J-35736	1	ASSY, TIMER CTRL 120/208/	CT4
		2		BT4
	2J-7604901	2	ASSY, TIMER CONT 104V	T4-208V
	2J-7605984	1	ASSY, TIMER CONT 120V	CT4-240V, T2-240V
	2E-7606512	1	TIME CONT 120V	CT4-120V, T2-120V
2E-7606512	2	TIME CONT 120V	T4-120V	
19	A8-7604286	1	WLDMT, ENCLOSURE CTRL	BT4, CT4, T4
	2E-36025		ENCLOSURE, CONTROL	T2

2M-Z11894 Slot-Toaster T2, T4, CT4, BT4



PARTS LIST

July 9, 2012, Rev. -

MODELS; T2, T4, CT4, BT4 SOLID STATE SLOT TOASTER				
Fig No	Part No	Qty	Description	Application
20	2M-52-0374	1	LABEL CONTROL PNL 4 SL TM	BT4, CT4, T4
	2M-52-0375		LABEL CONTROL PNL 2SL TM	T2
21	2R-3101757	1	KNOB, OPERATING	T2
		2		BT4, CT4, T4
22	2W-33309	1	CHASIS BOTTOM & BACK, ASY	BT4, CT4, T4
	2W-35327		ASSY, CHASSIS BOTTOM AND BACK	T2
23	2L-3102164	2	BASE, TOASTER	BT4, CT4, T4
24	2A-K1DS268	4	PAD, RUBBER FOOT, ADHSV	BT4, CT4, T4, T2
25	A8-35400	1	TRAY, CRUMB	T2
	A8-7001948			BT4, CT4, T4
26	2E-32323	1	BOARD, TERMINAL, TU95101	BT4, CT4, T4
	2E-35340		BOARD, TERMINAL	T2
27	A8-32524	1	COVER, REAR ELECTRICAL	BT4, CT4, T4
	A8-35338			T2
28	A8-32527	2	ASSY, ROD AND GUARD	CT4
		4		BT4, T2
		8		T4
29	2N-3001804	8	ELEMENT, FOIL HEATING	T4-208V
	2N-3001805	4		CT4-120V, T2-120V
		8		T4-120V
	2N-3001806	4		CT4-240V, T2-240V
		8		T4-208/240V
	2N-3001878	2		CT4-120/240V
4		BT4-120/240V		
30	A8-36853	2	PLATE, ELEMENT REPLACEMNT	CT4
		4		BT4
31	A8-35229	1	SHIELD, HEAT FRONT	T2
	A8-36854			BT4
	A8-39863		SHIELD, HEAT FRONT HYBRID	CT4
32	A8-35280	1	SHIELD, HEAT REAR	T2
	A8-36855		BT4	
	A8-39864		SHIELD, HEAT REAR HYBRID	CT4
33	A8-7606066	1	ASSY, ACTUATOR	T2
		2		BT4, CT4, T4
NI	2C-3101206	1	CLAMP, WIRE	BT4, CT4, T4, T2
NI	2C-3B82D8735	1	CONNECTOR, STRAIGHT 3/8"	BT4, CT4, T4, T2
NI	2C-57386	1	PIN, COTTER, 1/8X1-3/4,	T2
NI	2C-57386	2	PIN, COTTER, 1/8X1-3/4,	BT4, CT4, T4
NI	2E-1D3S5	1	CORDSET (6-15P) 15A-250V	BT4-240V, CT4-240V,
NI	2E-31785	1	ASSY, CORDSET	BT4-120V
NI	2E-41486	1	CORDSET, (6-20P) 250V 20A	T4-208V
NI	2P-3103246	1	SPRING, EXTENSION	T2
NI	2P-3103246	2	SPRING, EXTENSION	BT4, CT4, T4
NI	A8-41780	1	ASSY, CORDSET 125V15A	T2

2M-Z11894 Slot-Toaster T2, T4, CT4, BT4

