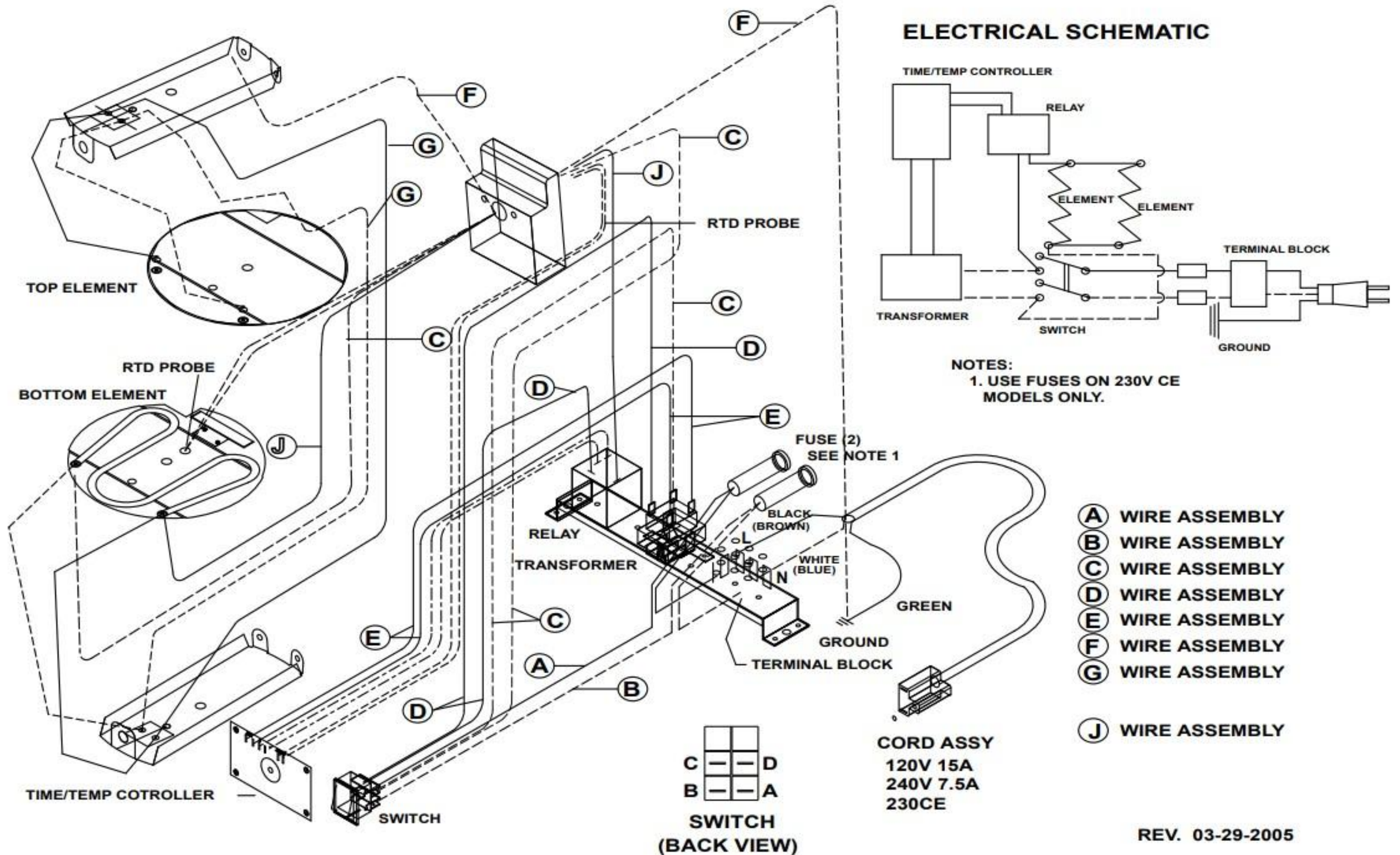
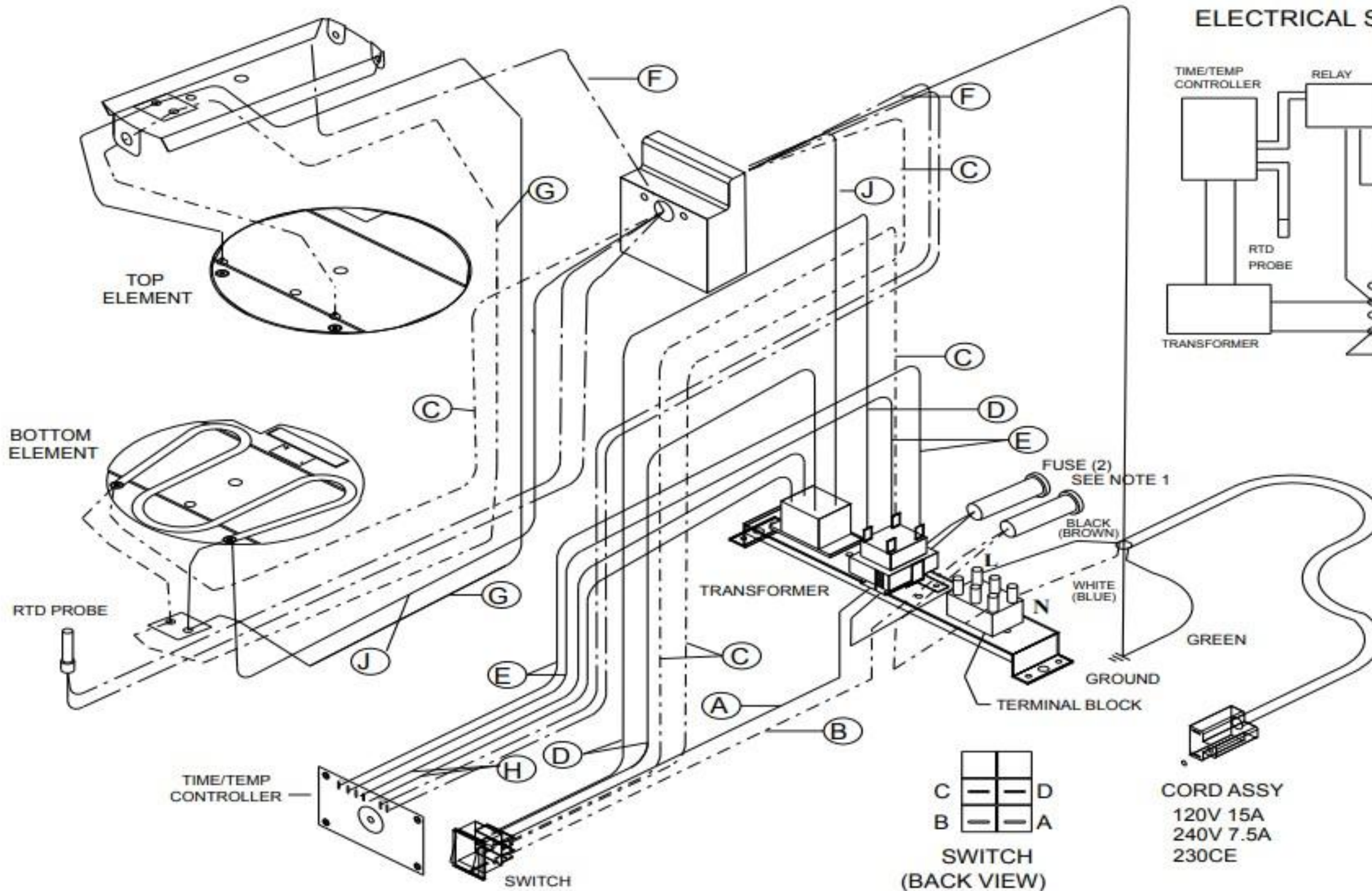


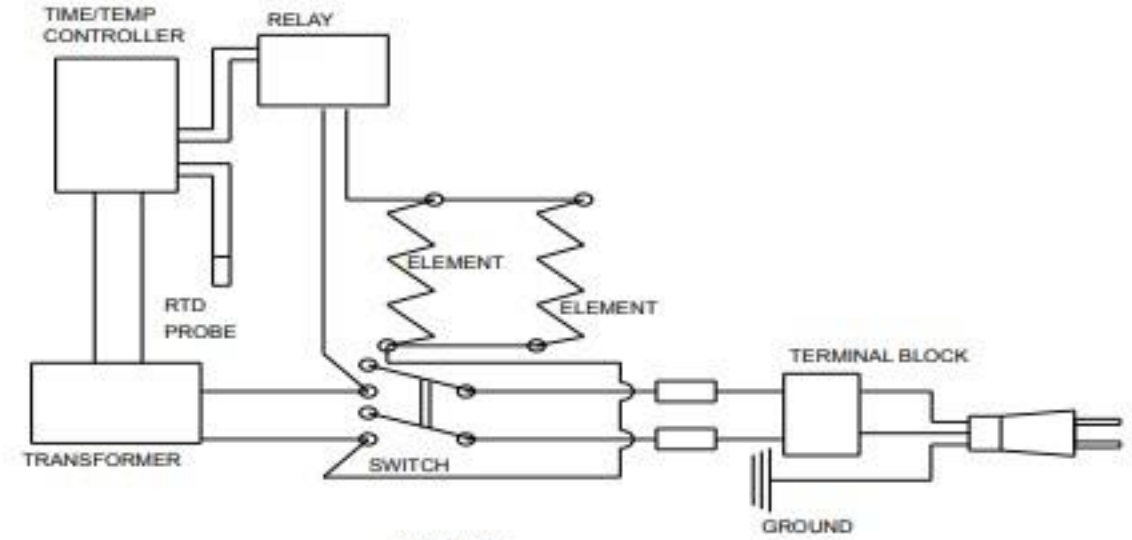
# WIRING DIAGRAM SWB8RBDE

SK1788





ELECTRICAL SCHEMATIC

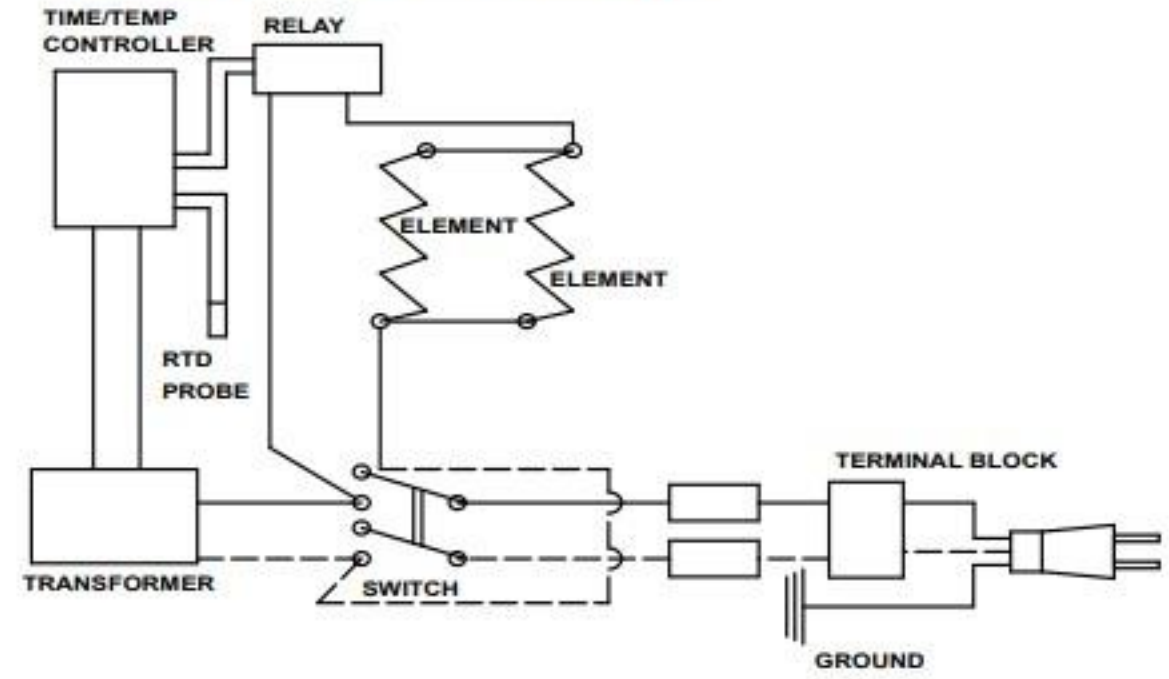
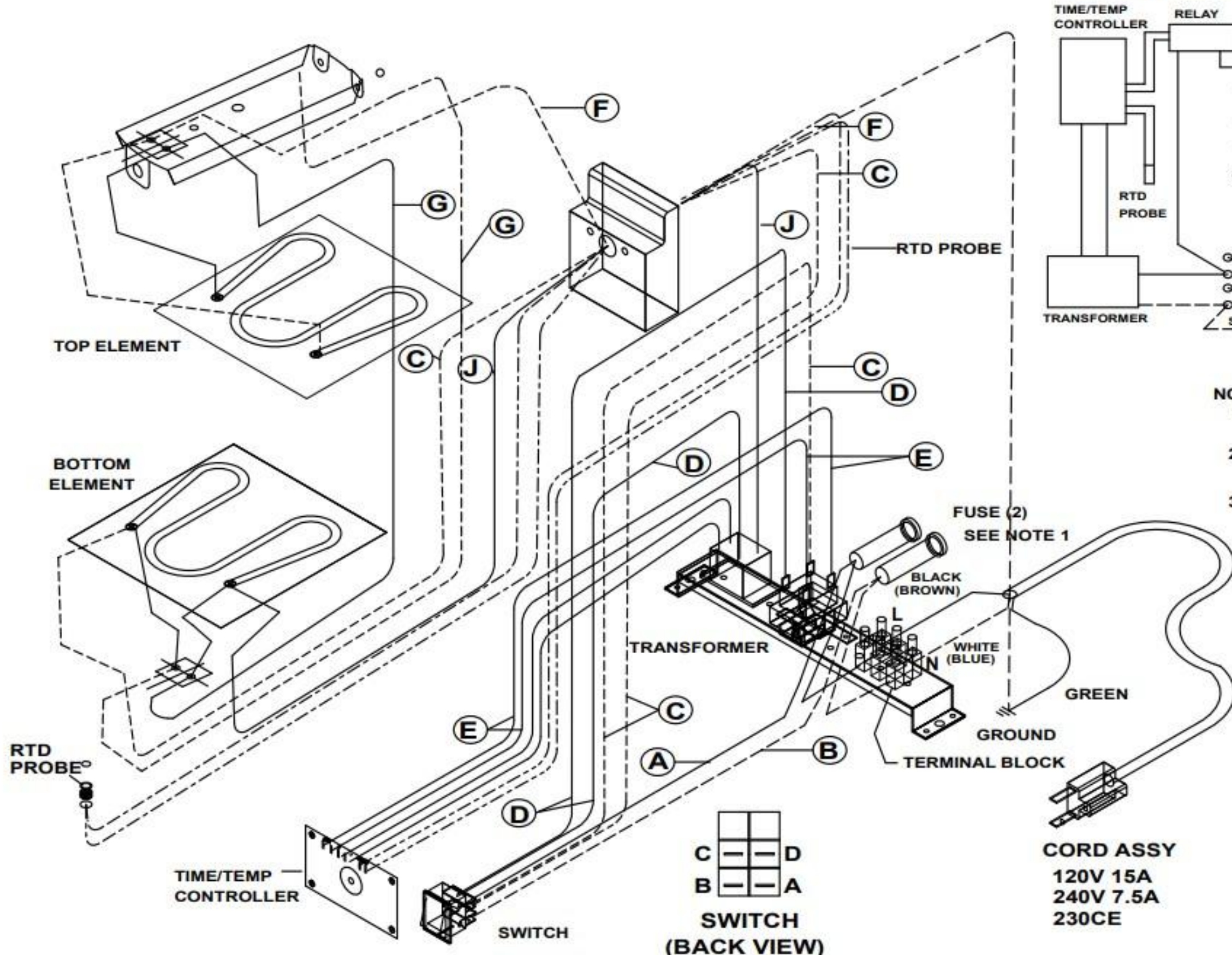


NOTES:

1. USE FUSES ON 230V CE MODELS ONLY.
2. RELAY MAY BE ON THE CONTROL BOARD IN SOME CASES.
3. 2 H WIRES ARE NOT NECESSARY IF RELAY IS ON THE CONTROL BOARD.

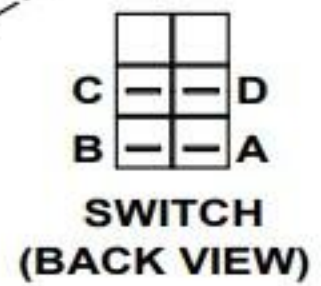
- (A) WIRE ASSEMBLY
- (B) WIRE ASSEMBLY
- (C) WIRE ASSEMBLY
- (D) WIRE ASSEMBLY
- (E) WIRE ASSEMBLY
- (F) WIRE ASSEMBLY
- (G) WIRE ASSEMBLY
- (H) WIRE ASSEMBLY

# ELECTRICAL SCHEMATIC



- NOTES:**
1. USE FUSES ON 230V CE MODELS ONLY.
  2. RELAY MAY BE ON THE CONTROL BOARD IN SOME CASES.
  3. 2 H WIRES ARE NOT NECESSARY IF RELAY IS ON THE CONTROL BOARD.

- (A) WIRE ASSEMBLY
- (B) WIRE ASSEMBLY
- (C) WIRE ASSEMBLY
- (D) WIRE ASSEMBLY
- (E) WIRE ASSEMBLY
- (F) WIRE ASSEMBLY
- (G) WIRE ASSEMBLY
- (J) WIRE ASSEMBLY



**CORD ASSY**  
 120V 15A  
 240V 7.5A  
 230CE

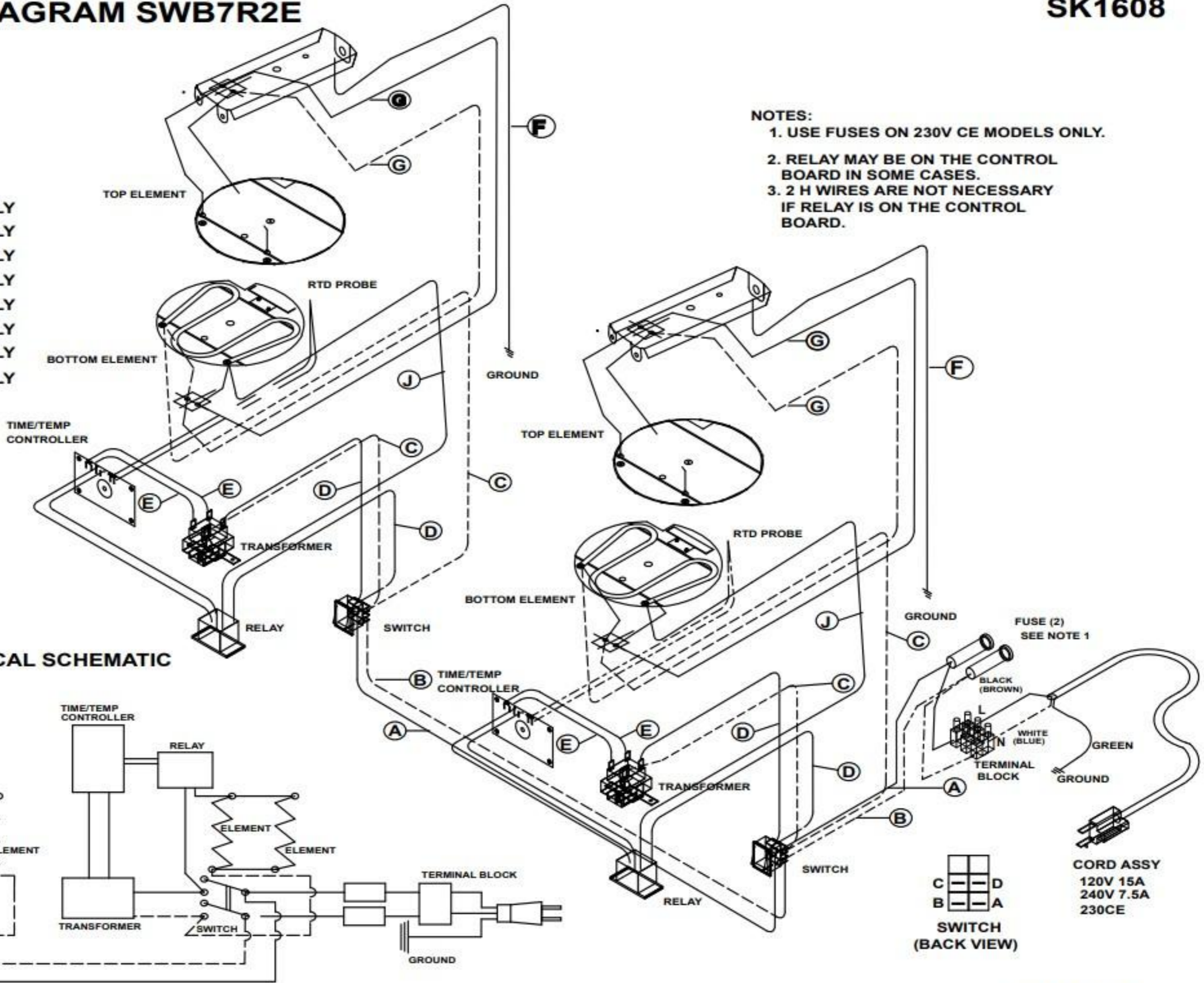
# WIRING DIAGRAM SWB7R2E

SK1608

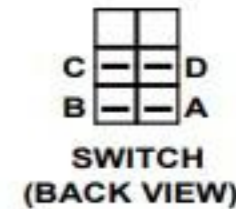
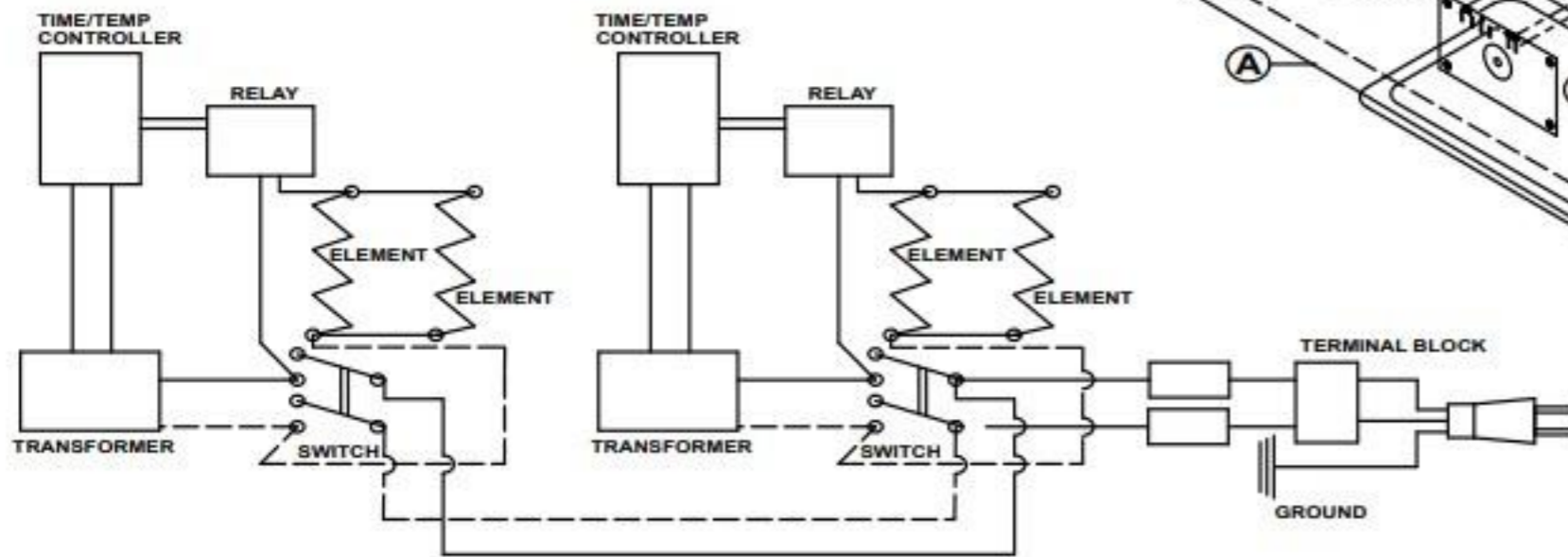
- (A) WIRE ASSEMBLY
- (B) WIRE ASSEMBLY
- (C) WIRE ASSEMBLY
- (D) WIRE ASSEMBLY
- (E) WIRE ASSEMBLY
- (F) WIRE ASSEMBLY
- (G) WIRE ASSEMBLY
- (J) WIRE ASSEMBLY

**NOTES:**

1. USE FUSES ON 230V CE MODELS ONLY.
2. RELAY MAY BE ON THE CONTROL BOARD IN SOME CASES.
3. 2 H WIRES ARE NOT NECESSARY IF RELAY IS ON THE CONTROL BOARD.

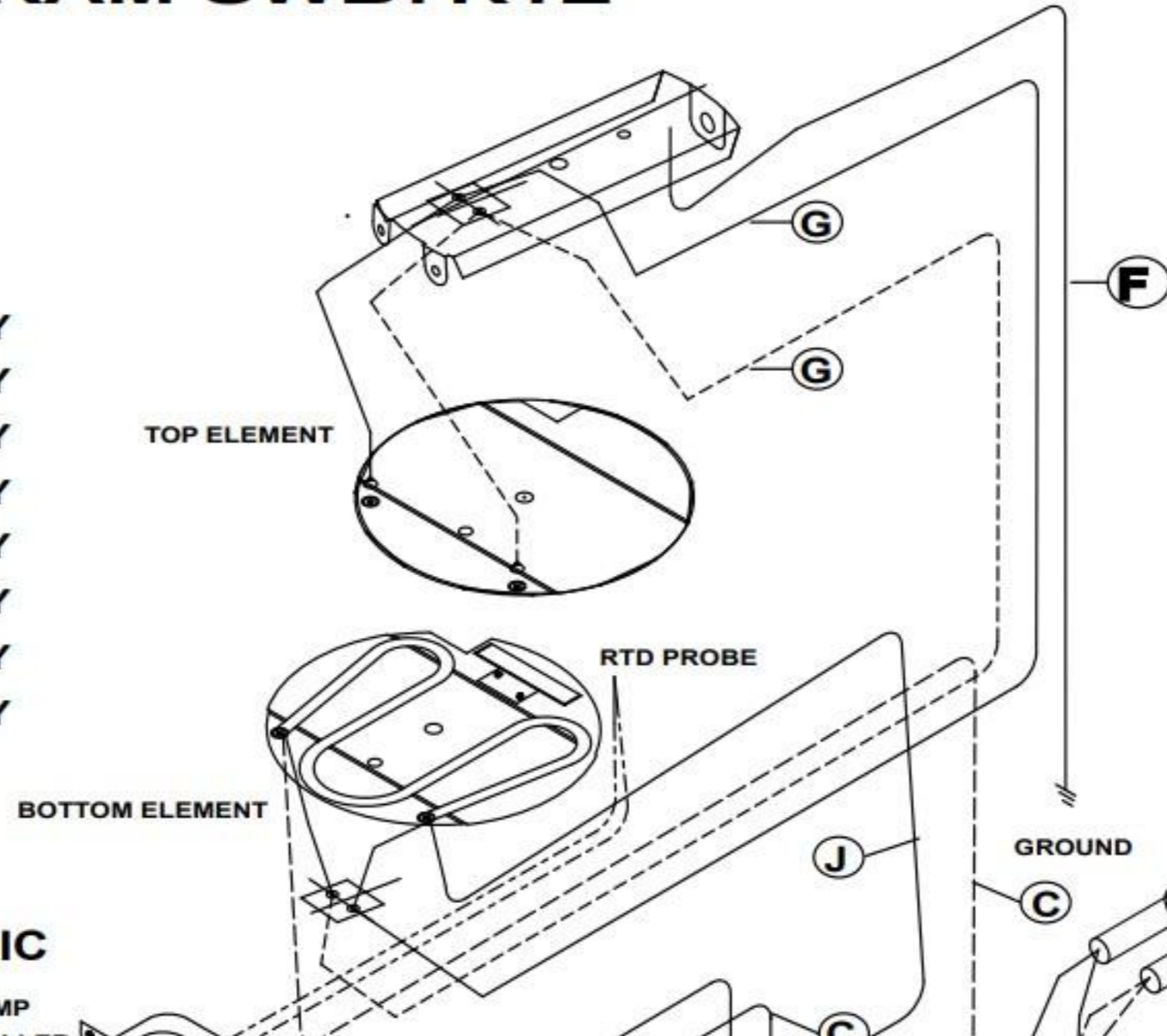


## ELECTRICAL SCHEMATIC



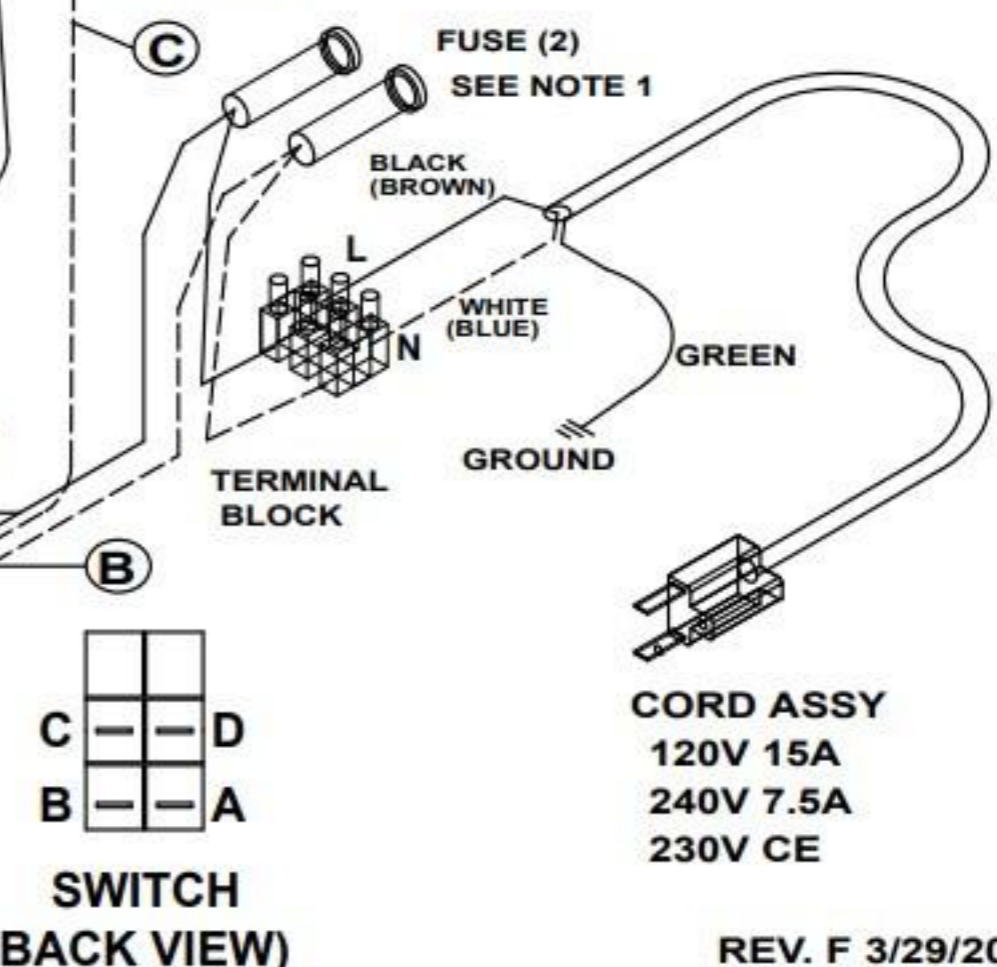
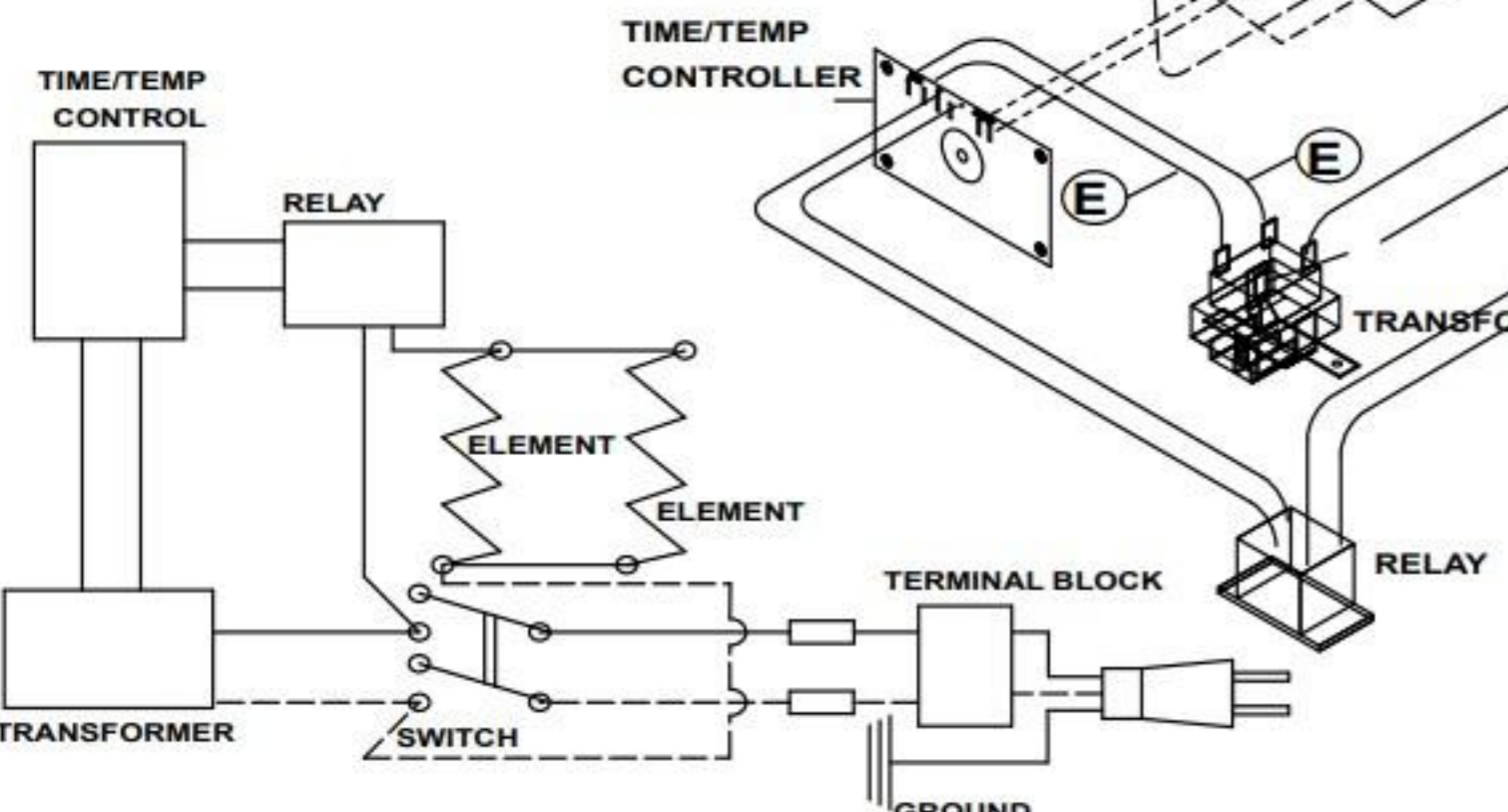
**CORD ASSY**  
 120V 15A  
 240V 7.5A  
 230CE

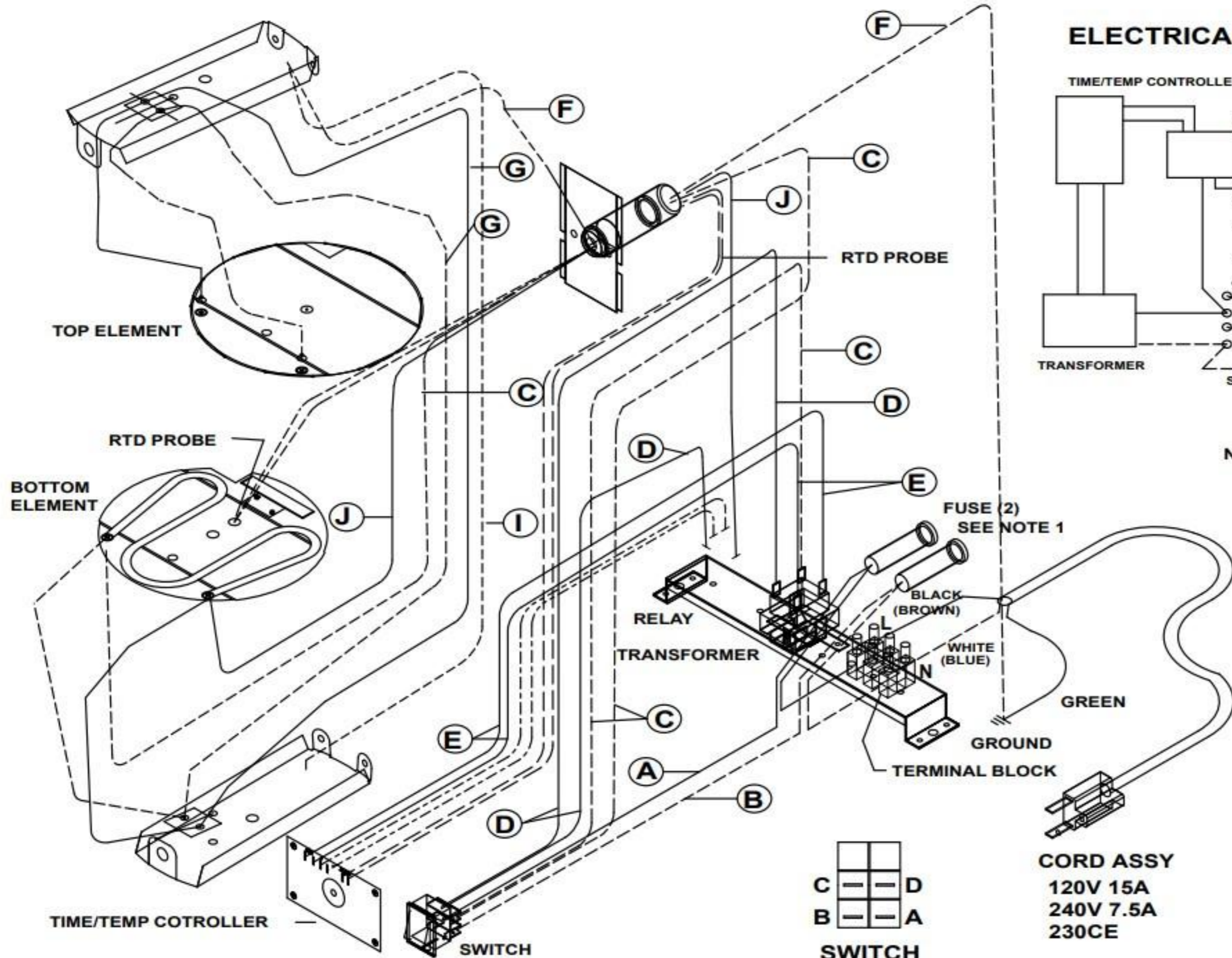
- (A)** WIRE ASSEMBLY
- (B)** WIRE ASSEMBLY
- (C)** WIRE ASSEMBLY
- (D)** WIRE ASSEMBLY
- (E)** WIRE ASSEMBLY
- (F)** WIRE ASSEMBLY
- (G)** WIRE ASSEMBLY
- (J)** WIRE ASSEMBLY



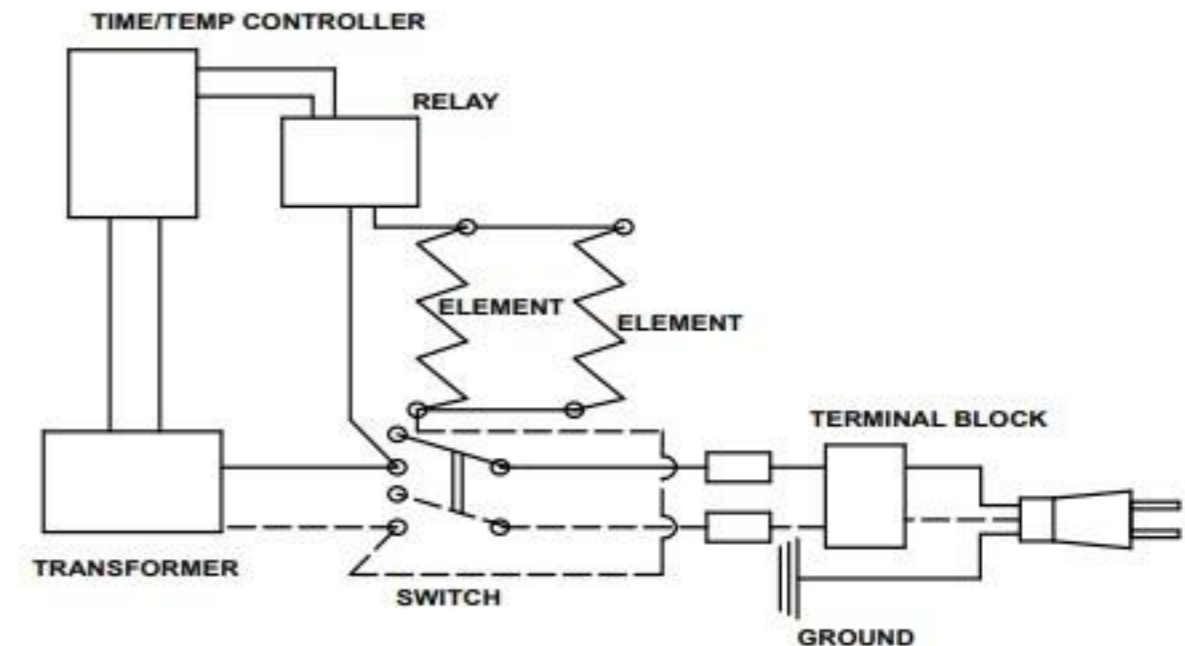
- NOTES:**
1. USE FUSES ON 230V CE MODELS ONLY.
  2. RELAY MAY BE ON THE CONTROL BOARD IN SOME CASES.
  3. 2 H WIRES ARE NOT NECESSARY IF RELAY IS ON THE CONTROL BOARD.

## ELECTRICAL SCHEMATIC



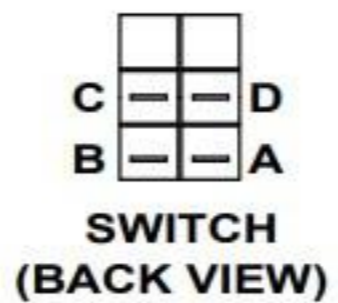


### ELECTRICAL SCHEMATIC



- NOTES:**
1. USE FUSES ON 230V CE MODELS ONLY.
  2. RELAY MAY BE ON THE CONTROL BOARD IN SOME CASES.
  3. 2 H WIRES ARE NOT NECESSARY IF RELAY IS ON THE CONTROL BOARD.

- (A) WIRE ASSEMBLY
- (B) WIRE ASSEMBLY
- (C) WIRE ASSEMBLY
- (D) WIRE ASSEMBLY
- (E) WIRE ASSEMBLY
- (F) WIRE ASSEMBLY
- (G) WIRE ASSEMBLY
- (I) WIRE ASSEMBLY
- (J) WIRE ASSEMBLY



**CORD ASSY**  
 120V 15A  
 240V 7.5A  
 230CE