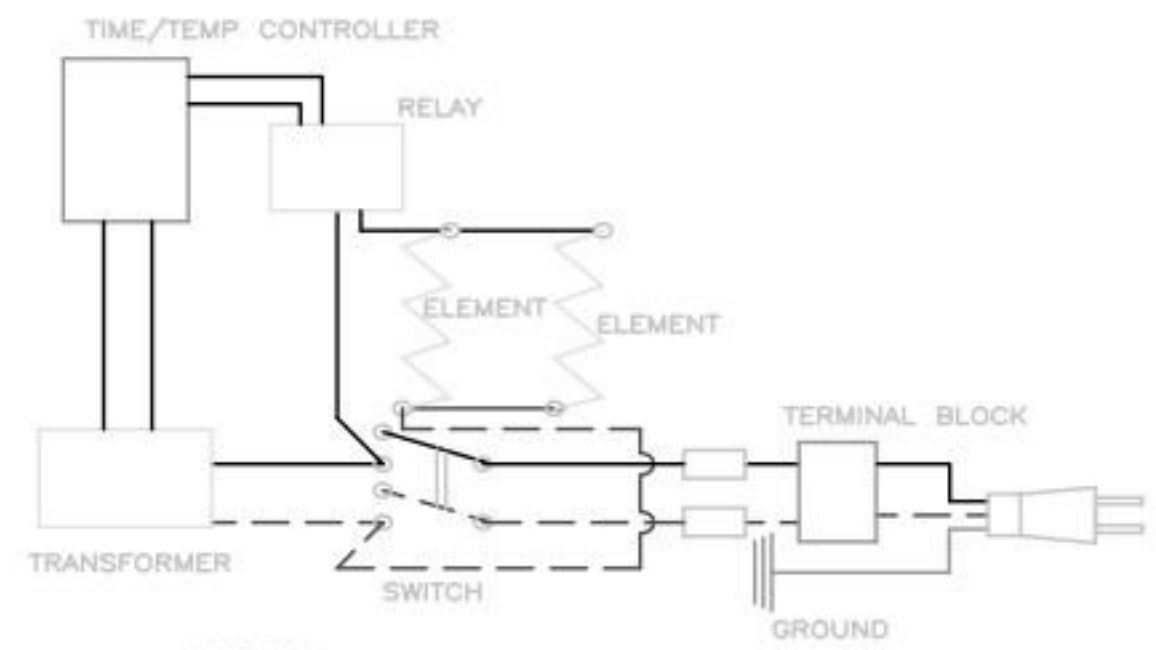


ELECTRICAL SCHEMATIC



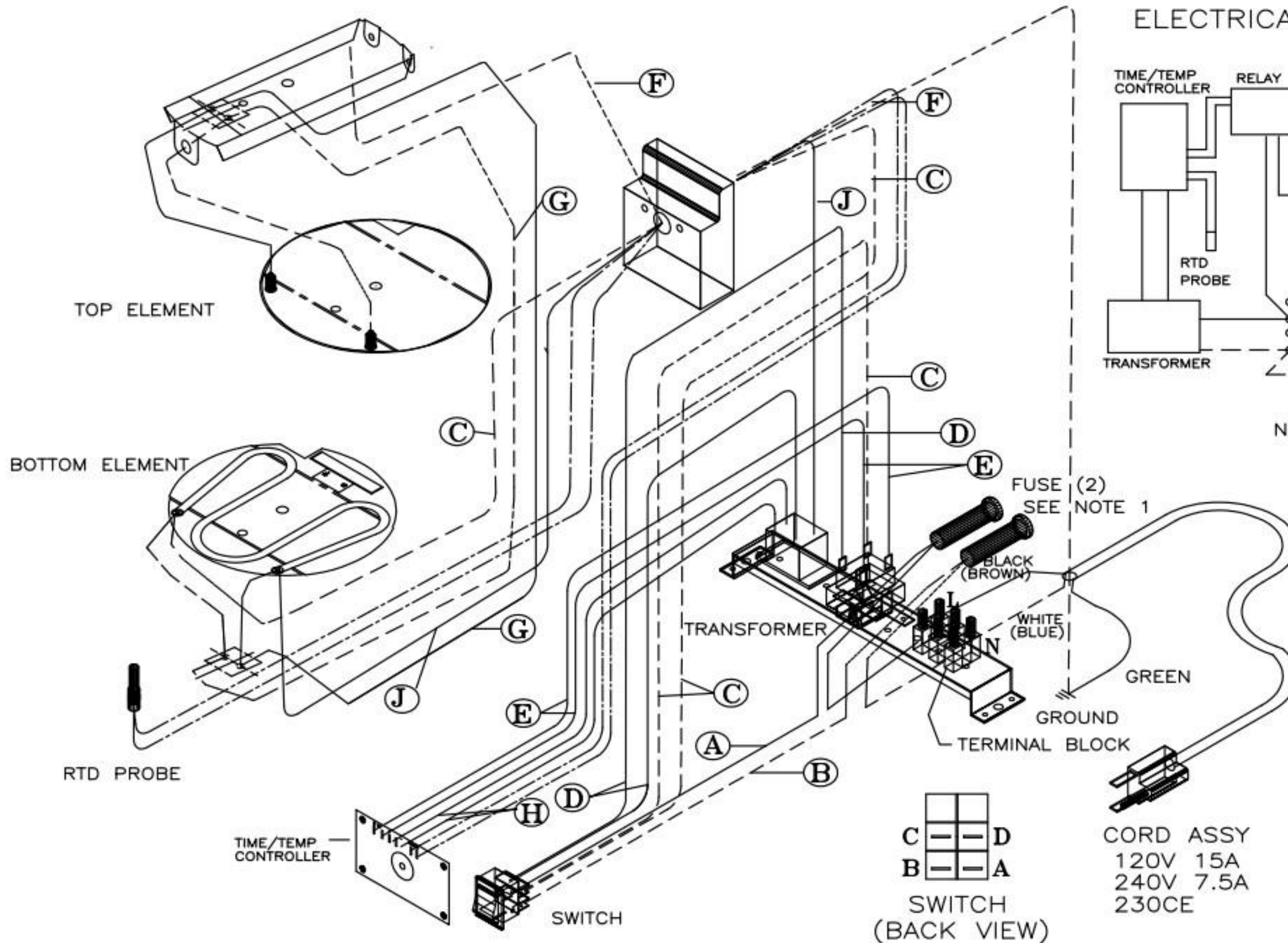
NOTES:
1. USE FUSES ON 230V CE MODELS ONLY.

- (A) WIRE ASSEMBLY
- (B) WIRE ASSEMBLY
- (C) WIRE ASSEMBLY
- (D) WIRE ASSEMBLY
- (E) WIRE ASSEMBLY
- (F) WIRE ASSEMBLY
- (G) WIRE ASSEMBLY
- (J) WIRE ASSEMBLY

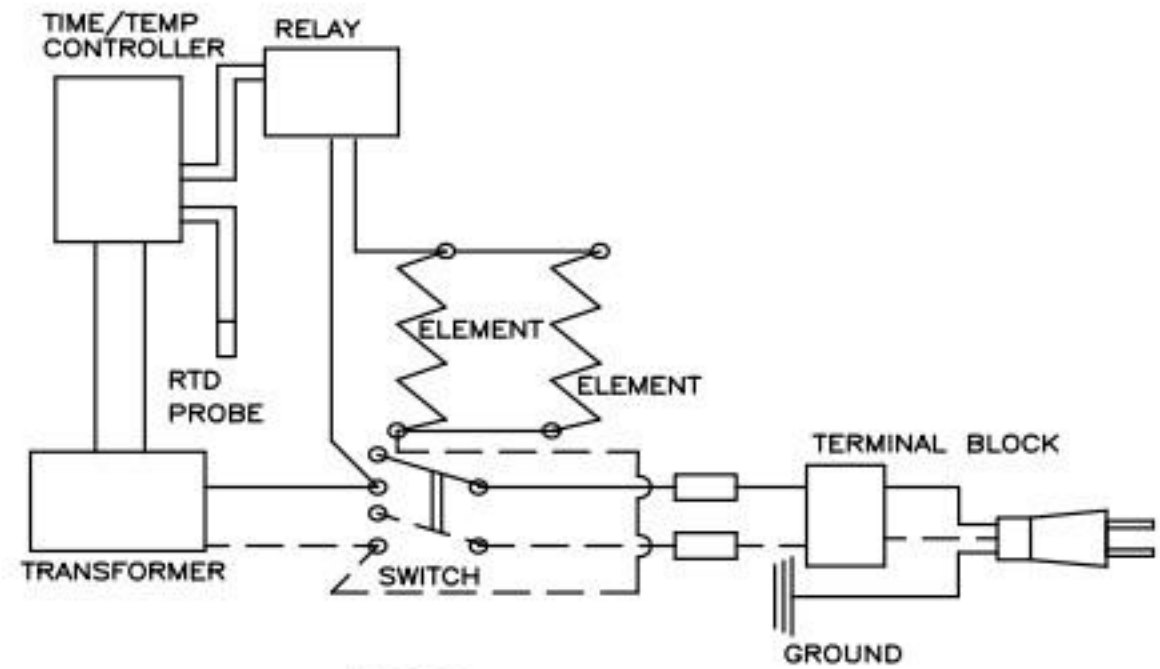
CORD ASSY
120V 15A
240V 7.5A
230CE

WIRING DIAGRAM SWCBE

SK1610E



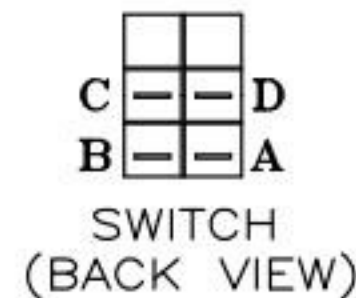
ELECTRICAL SCHEMATIC



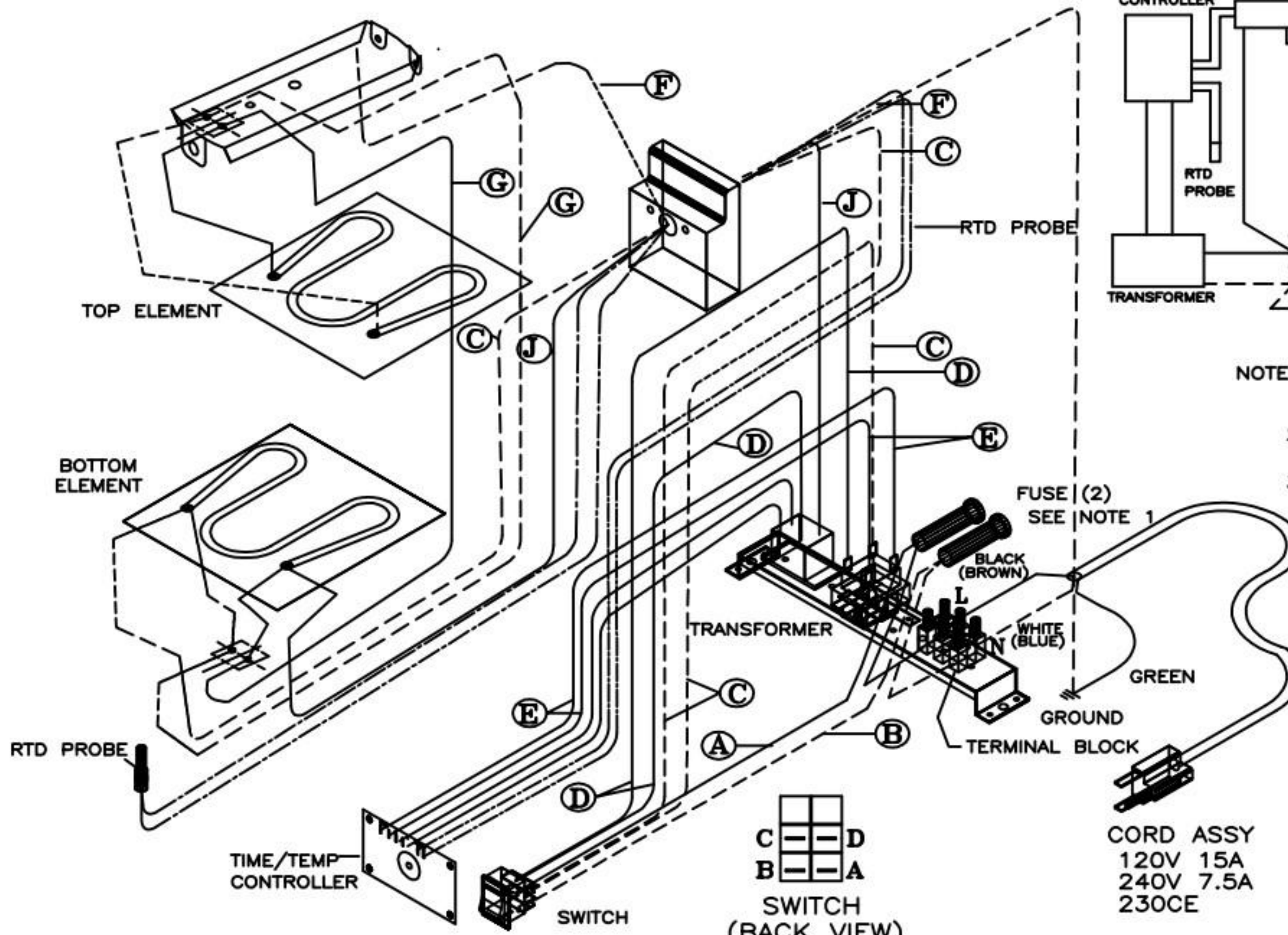
NOTES:

1. USE FUSES ON 230V CE MODELS ONLY.
2. RELAY MAY BE ON THE CONTROL BOARD IN SOME CASES.
3. 2 H WIRES ARE NOT NECESSARY IF RELAY IS ON THE CONTROL BOARD.

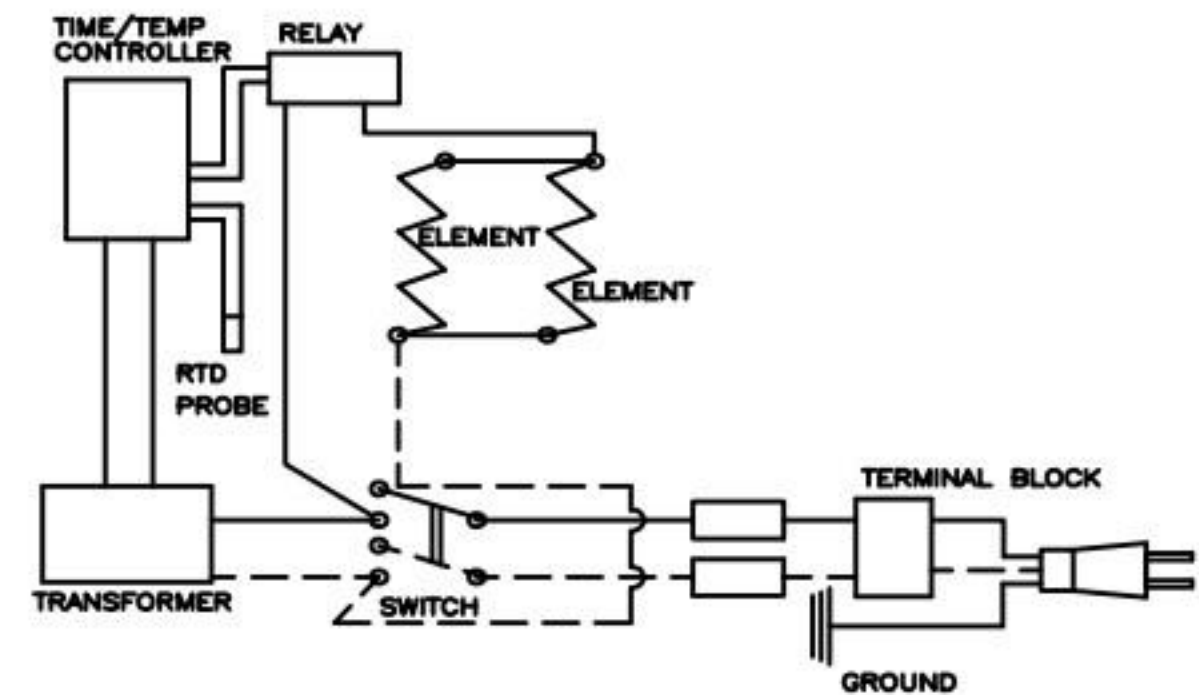
- Ⓐ WIRE ASSEMBLY
- Ⓑ WIRE ASSEMBLY
- Ⓒ WIRE ASSEMBLY
- Ⓓ WIRE ASSEMBLY
- Ⓔ WIRE ASSEMBLY
- Ⓕ WIRE ASSEMBLY
- Ⓖ WIRE ASSEMBLY
- Ⓗ WIRE ASSEMBLY



CORD ASSY
120V 15A
240V 7.5A
230CE



ELECTRICAL SCHEMATIC



- NOTES:
1. USE FUSES ON 230V CE MODELS ONLY.
 2. RELAY MAY BE ON THE CONTROL BOARD IN SOME CASES.
 3. 2 H WIRES ARE NOT NECESSARY IF RELAY IS ON THE CONTROL BOARD.

- Ⓐ WIRE ASSEMBLY
- Ⓑ WIRE ASSEMBLY
- Ⓒ WIRE ASSEMBLY
- Ⓓ WIRE ASSEMBLY
- Ⓔ WIRE ASSEMBLY
- Ⓕ WIRE ASSEMBLY
- Ⓖ WIRE ASSEMBLY
- Ⓗ WIRE ASSEMBLY
- Ⓙ WIRE ASSEMBLY
- Ⓚ WIRE ASSEMBLY

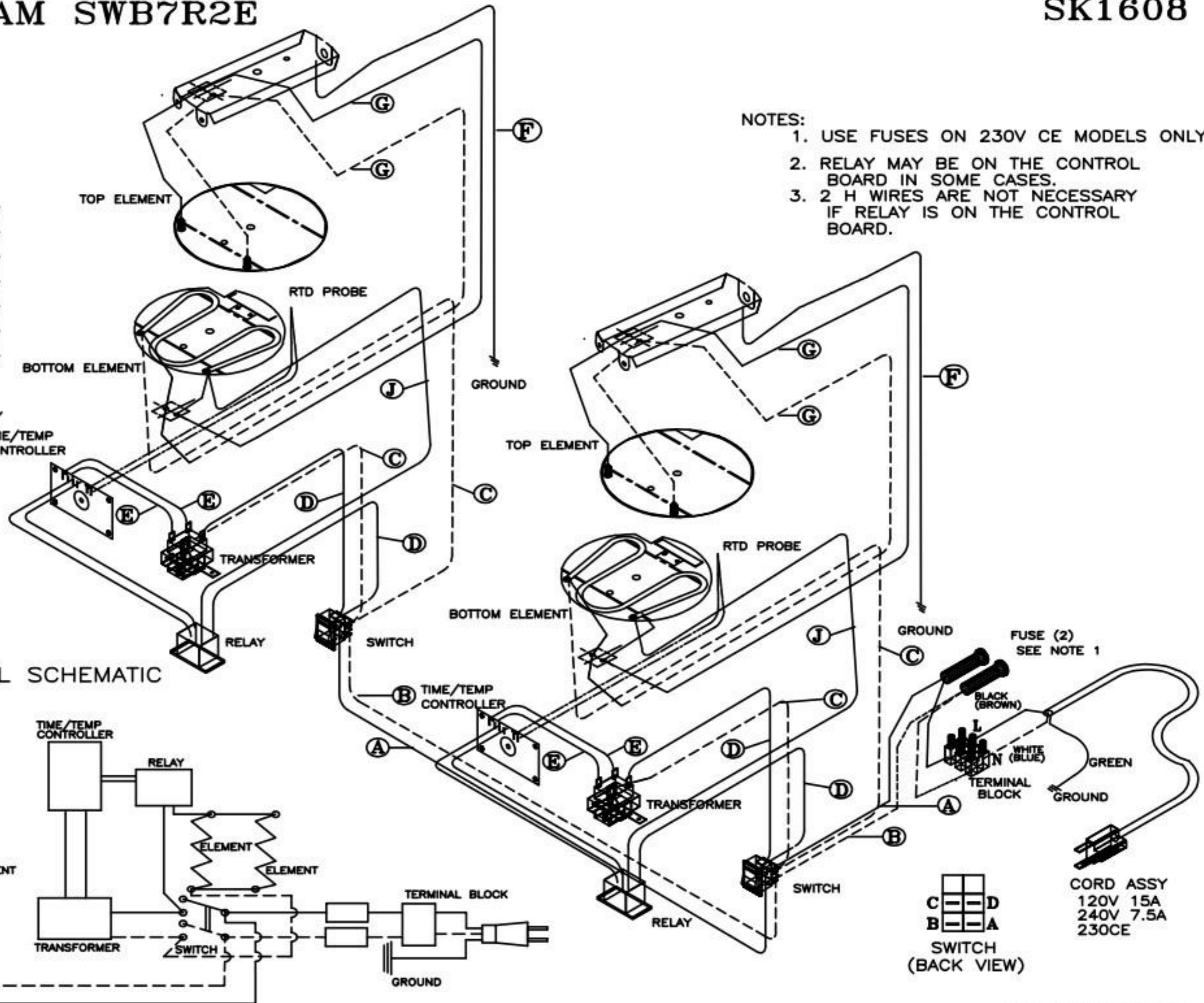
WIRING DIAGRAM SWB7R2E

SK1608

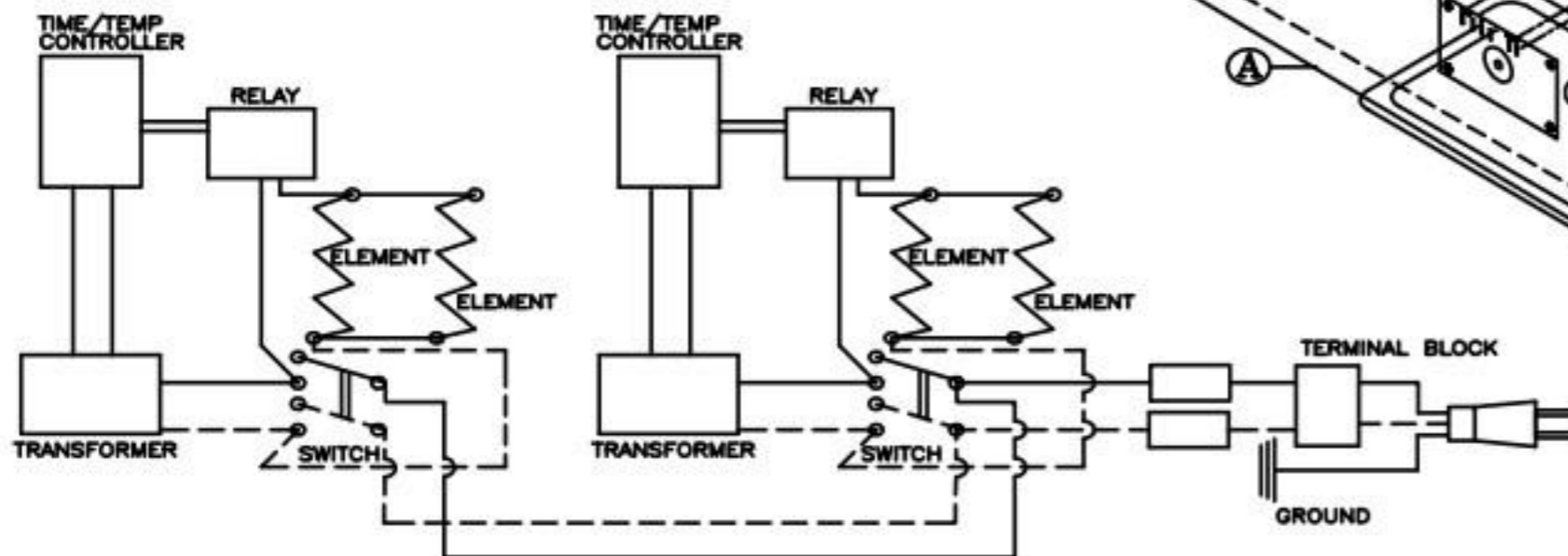
- (A) WIRE ASSEMBLY
- (B) WIRE ASSEMBLY
- (C) WIRE ASSEMBLY
- (D) WIRE ASSEMBLY
- (E) WIRE ASSEMBLY
- (F) WIRE ASSEMBLY
- (G) WIRE ASSEMBLY

- (J) WIRE ASSEMBLY

- NOTES:
1. USE FUSES ON 230V CE MODELS ONLY.
 2. RELAY MAY BE ON THE CONTROL BOARD IN SOME CASES.
 3. 2 H WIRES ARE NOT NECESSARY IF RELAY IS ON THE CONTROL BOARD.



ELECTRICAL SCHEMATIC

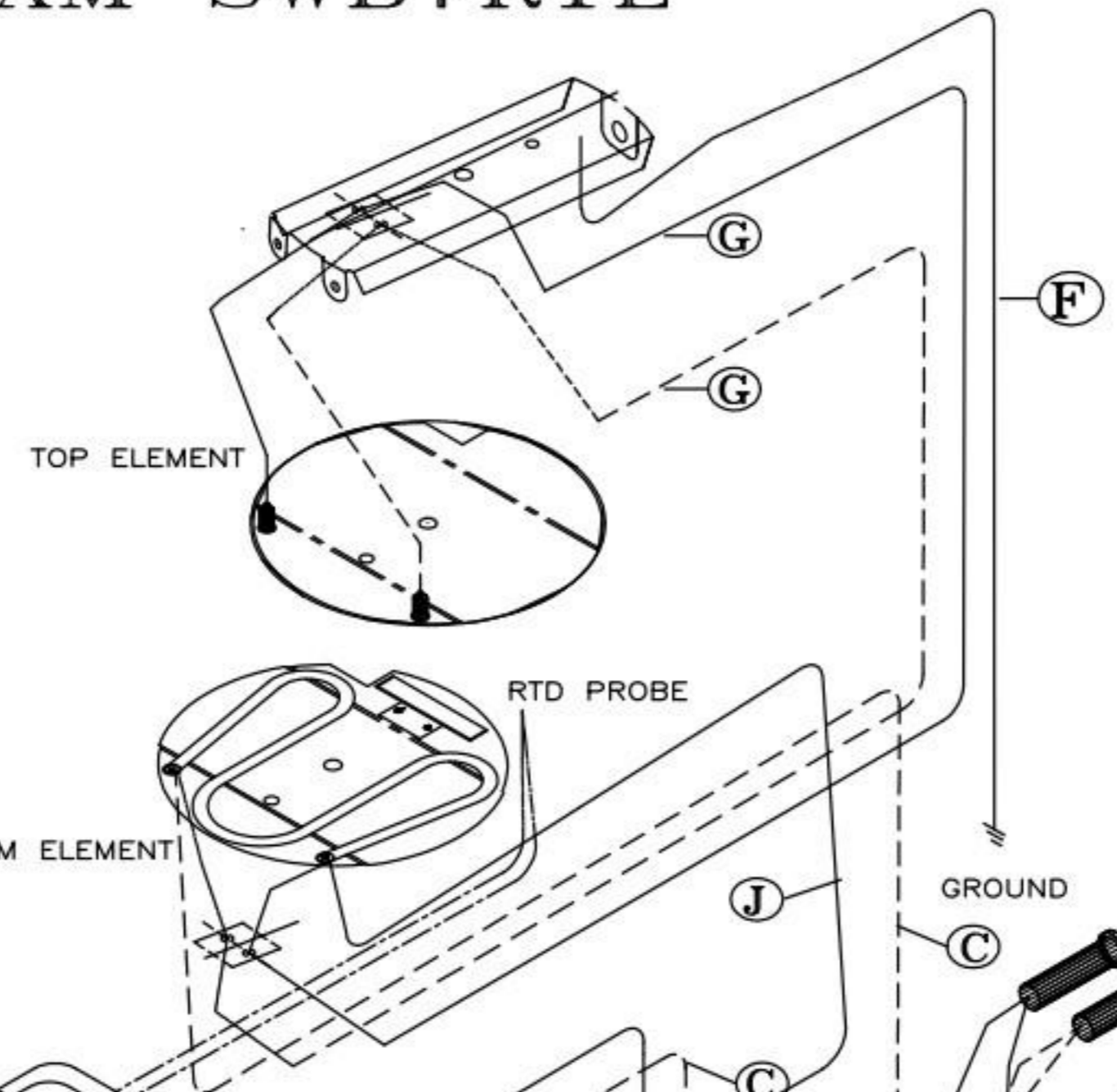


CORD ASSY
120V 15A
240V 7.5A
230CE

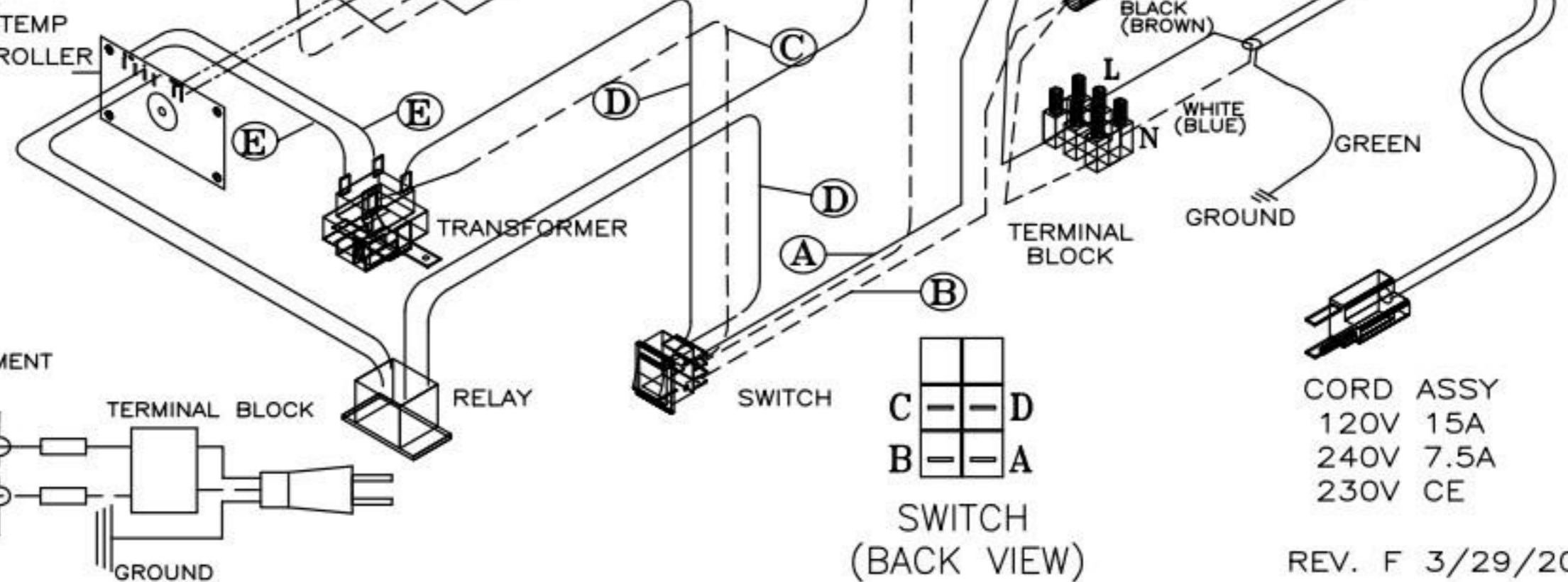
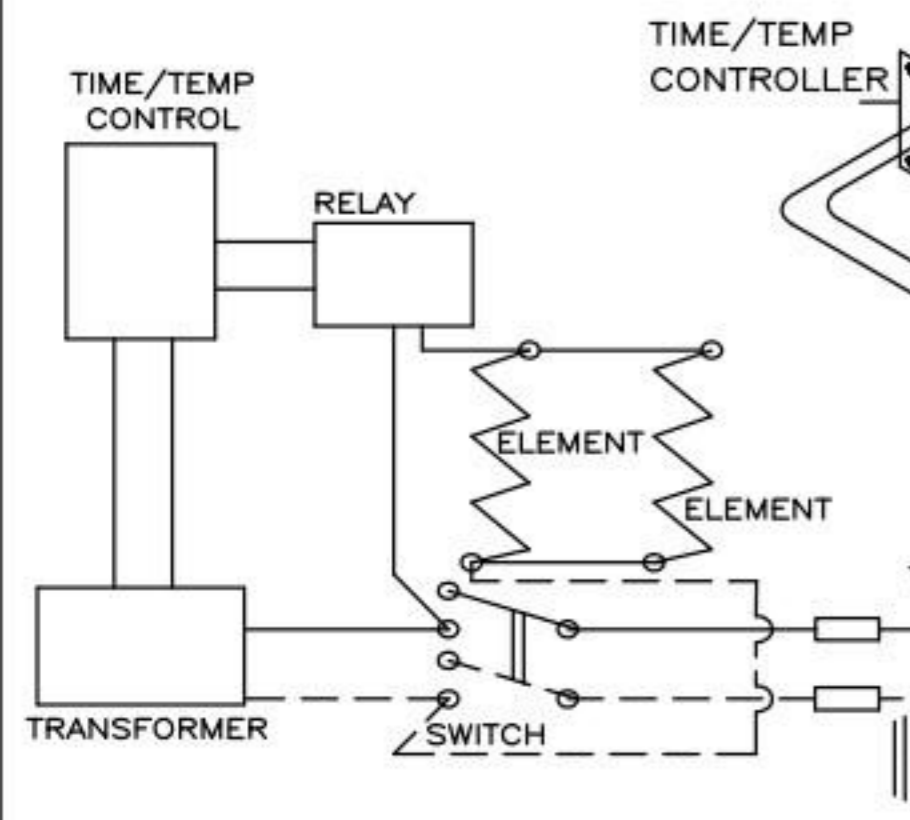
- (A) WIRE ASSEMBLY
- (B) WIRE ASSEMBLY
- (C) WIRE ASSEMBLY
- (D) WIRE ASSEMBLY
- (E) WIRE ASSEMBLY
- (F) WIRE ASSEMBLY
- (G) WIRE ASSEMBLY

- (J) WIRE ASSEMBLY

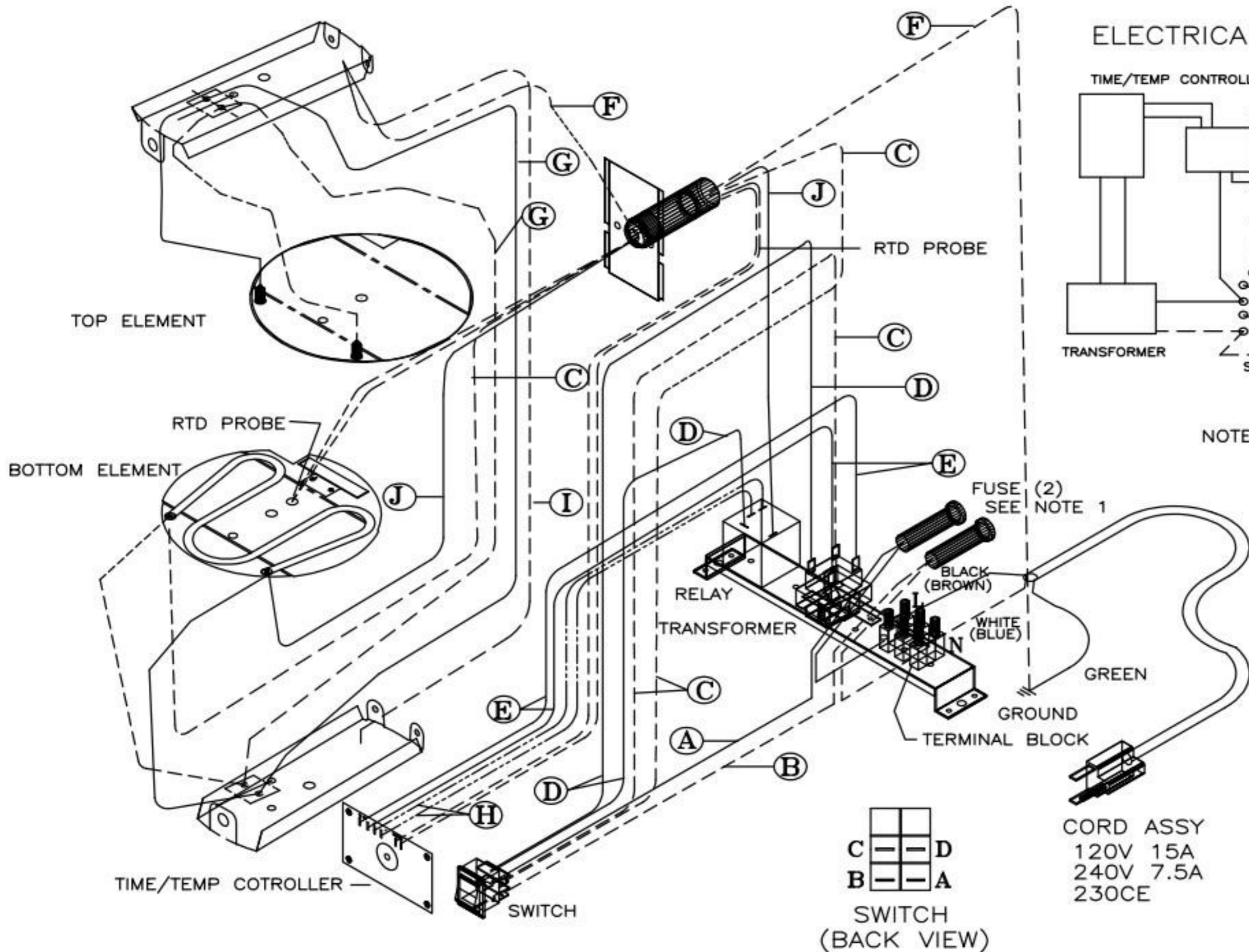
- NOTES:
1. USE FUSES ON 230V CE MODELS ONLY.
 2. RELAY MAY BE ON THE CONTROL BOARD IN SOME CASES.
 3. 2 H WIRES ARE NOT NECESSARY IF RELAY IS ON THE CONTROL BOARD.



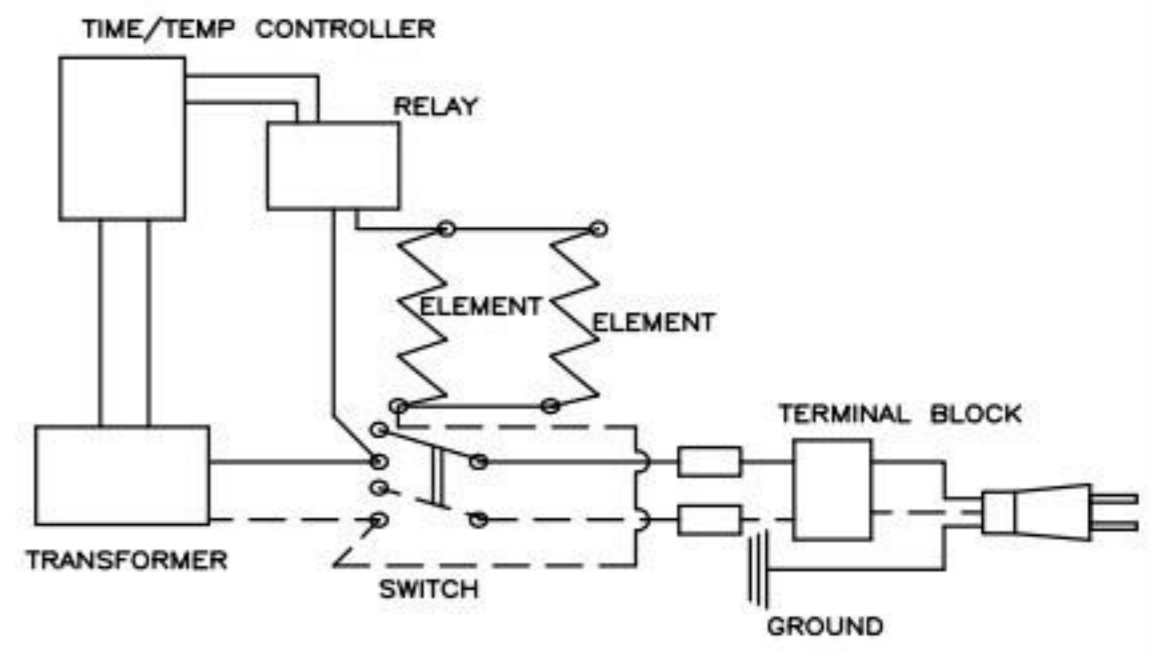
ELECTRICAL SCHEMATIC



CORD ASSY
 120V 15A
 240V 7.5A
 230V CE



ELECTRICAL SCHEMATIC



NOTES:

1. USE FUSES ON 230V CE MODELS ONLY.
2. RELAY MAY BE ON THE CONTROL BOARD IN SOME CASES.
3. 2 H WIRES ARE NOT NECESSARY IF RELAY IS ON THE CONTROL BOARD.

- (A) WIRE ASSEMBLY
- (B) WIRE ASSEMBLY
- (C) WIRE ASSEMBLY
- (D) WIRE ASSEMBLY
- (E) WIRE ASSEMBLY
- (F) WIRE ASSEMBLY
- (G) WIRE ASSEMBLY
- (H) WIRE ASSEMBLY
- (I) WIRE ASSEMBLY
- (J) WIRE ASSEMBLY