

STAR[®] **WAFFLE** **BAKERS**

NON-ELECTRONIC MODELS

SWCB, SWB7R1

SWB7R2, SWB7RB

SWB7RBS, SWB8SQ

SWB8RBD, SWB8RBL

Installation and **Operation** **Instructions**

2M-Z1736 Rev. K 6/11/08



SWB7R2



SAFETY SYMBOL



These symbols are intended to alert the user to the presence of important operating and maintenance instructions in the manual accompanying the appliance.

RETAIN THIS MANUAL FOR FUTURE REFERENCE NOTICE

Using any part other than genuine Star factory supplied parts relieves the manufacturer of all liability.

Star reserves the right to change specifications and product design without notice. Such revisions do not entitle the buyer to corresponding changes, improvements, additions or replacements for previously purchased equipment.

Due to periodic changes in designs, methods, procedures, policies and regulations, the specifications contained in this sheet are subject to change without notice. While Star Manufacturing exercises good faith efforts to provide information that is accurate, we are not responsible for errors or omissions in information provided or conclusions reached as a result of using the specifications. By using the information provided, the user assumes all risks in connection with such use.

MAINTENANCE AND REPAIRS

Contact your local authorized service agent for service or required maintenance. Please record the model number, serial number, voltage and purchase date in the area below and have it ready when you call to ensure faster service.

Model No. _____

Serial No. _____

Voltage _____

Purchase Date _____

Authorized Service Agent

Reference the listing provided with the unit

or

for an updated listing go to:

Website: www.star-mfg.com
E-mail Service@star-mfg.com
Telephone: (800) 807-9054 Local (314) 781-2777

The Star Service Help Desk

Business Hours: 8:00 am to 4:30 p.m. Central Standard Time

Telephone: (800) 807-9054 Local (314) 781-2777

Fax: (800) 396-2677 Local (314) 781-2714

E-mail Parts@star-mfg.com
Service@star-mfg.com
Warranty@star-mfg.com

Website: www.star-mfg.com

Mailing Address: Star Manufacturing International Inc.
10 Sunnen Drive
St. Louis, MO 63143
U.S.A

GENERAL INFORMATION



CAUTION

This equipment is designed and sold for commercial use only by personnel trained and experienced in its operation and is not sold for consumer use in and around the home nor for use directly by the general public in food service locations.

Before using your new equipment, read and understand all the instructions & labels associated with the unit prior to putting it into operation. Make sure all people associated with its use understand the units operation & safety before they use the unit.

All shipping containers should be checked for freight damage both visible and concealed. This unit has been tested and carefully packaged to insure delivery of your unit in perfect condition. If equipment is received in damaged condition, either apparent or concealed, a claim must be made with the delivering carrier.

Concealed damage or loss - if damage or loss is not apparent until after equipment is unpacked, a request for inspection of concealed damage must be made with carrier within 15 days. Be certain to retain all contents plus external and internal packaging materials for inspection. The carrier will make an inspection and will supply necessary claim forms.

GENERAL INSTALLATION DATA

For your protection, we recommend that a qualified electrician install this appliance. The electrician should be familiar with electrical installations and your local electrical requirements. Proper connections and power supply are essential for efficient performance. The supply circuit should be properly fused as required by electrical code. Plug the unit into a proper A.C. voltage wall outlet only. A three-prong plug is provided with the unit. If an adapter is used be sure a good ground is provided.

LOAD

The rated load is on the nameplate. The line in the wall outlet must be heavy enough to carry this load, or the waffle baker will be slow in performance.

WARNING

**DO NOT CONNECT TO DIRECT CURRENT (DC).
TEFLON® COATED WAFFLE BAKERS**



CAUTION

**DO NOT USE METAL UTENSILS TO REMOVE WAFFLE FROM THE TEFLON®
COATED WAFFLE BAKER. THIS WILL VOID THE WARRANTY.**



CAUTION

**DO NOT CLEAN TEFLON® GRIDS WITH ABRASIVES. THIS WILL VOID THE
WARRANTY.**



CORD, PLUG AND GROUND INSTRUCTIONS

For your protection, this appliance is equipped with a 3-conductor load cord, having a grounding type plug. It should only be used with a properly grounded 3-prong receptacle. Do not modify. If you use an adapter be sure your system is grounded. Connect the green wire to a mounting screw of the receptacle. For ungrounded electrical systems, connect the green wire of the adapter to a known permanent ground.

RELEASE AGENT CAUTION

If you find it necessary to use a release agent to keep waffles from sticking, you should brush it on. Spraying may oversaturate the grids and the excess has the possibility of building up inside the baker and causing damage. If you only have a spray type release agent, try spraying it into a container and using the contents with a pastry brush.

SEASONING WAFFLE GRIDS

(Not applicable to Teflon[®] coated grids)

With a pastry brush, apply vegetable oil, butter, or grid release agent on both grids. Turn power on and allow to preheat for twenty minutes. Lift the lid and re-apply vegetable oil, butter, or grid release agent. Allow the unit to heat for five more minutes. The baker is now ready for use.



CAUTION

GRIDS AND CUPS HAVE VERY HIGH TEMPERATURES. DO NOT COME IN DIRECT CONTACT WITH THESE PARTS WHEN THE WAFFLE BAKER IS IN OPERATION. DO NOT ALLOW CORD TO COME INTO CONTACT WITH HOT GRIDS.

GENERAL OPERATING INSTRUCTIONS

WAFFLES

Turn the unit on and allow to pre-heat for 15 minutes with the grids closed. Once the baker has reached proper temperature you can proceed as follows:

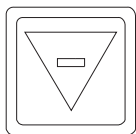
1. Lift the lid, pour in mix and close.
2. Rotate grids 180°. (Belgian units only)
3. Start timer by pressing the start/stop pad.
4. When timer beeps, depress the start/ stop pad.
5. Rotate grids 180° (Belgian units only)
6. Remove waffle. (Do not use metal utensils on teflon coated waffle bakers.)
7. For next waffle repeat steps 1 through 6.

Setting the Time:

If necessary, the factory pre-set timer can be adjusted to satisfy individual preferences.



To increase time, depress and hold the "up" button.
The start/ stop button can now be used to increase baking time.



To decrease time, depress and hold the "down" button.
The "start/stop" button can now be used to decrease baking time.
Setting the temperature for models equipped with time and temperature controllers only -

If necessary, the factory pre-set temperature can be changed: To view the temperature, depress and hold "TEMP" button and press "START/STOP" button. Pre-set temperature will be displayed.

To increase the temperature press "+" button; to decrease press "-" button. To lock the temperature press the "START/STOP" button.

Changing from F to C: ("F" (Fahrenheit) to "C" (Celsius))

Hold "TEMP" button and turn "OFF" and then "ON" the lighted switch on the front panel. To change back from "C" to "F", repeat the same procedure. Setting the temperature is available in both modes "F" and "C".

HELPFUL HINTS

1. During long slack periods of the day, turn off the baker. During short slack periods, leave unit on with the grids closed. This will help minimize carbon buildup.
2. Do not store batter in the refrigerator and expect the same speed in baking. Cold batter will take longer to bake.
3. For proper release of waffles it is important that the batter contain the proper amount of shortening.

CLEANING

For non-coated grids: Clean outside of baker every day that it is in use. Clean grids with hot water and mild detergent and a nylon brush to prevent a buildup of carbon from forming. In order to remove carbon from grids, unplug the unit, place ammonia soaked cloth over bottom grid, close and leave overnight. A nylon brush may then be used to remove the carbon buildup. If you use a commercial carbon remover, make sure that it is safe for aluminum.



CAUTION

DO NOT CLEAN USING A WATER JET OR SIMILAR DEVICE FOR CLEANING. DO NOT IMMERSE IN WATER AT ANY TIME.



CAUTION

DO NOT CLEAN TEFLON® GRIDS WITH ABRASIVES. THIS WILL VOID THE WARRANTY.

For cleaning the baker outside use only a soft cloth and mild soap to keep the exterior surfaces bright and shining. Do not use detergents, strong abrasives or metal scouring pads on the exterior surfaces of the waffle baker.

THOROUGHLY INSPECT YOUR UNIT ON ARRIVAL

This unit has been tested for proper operation before leaving our plant to insure delivery of your unit in perfect condition. However, there are instances in which the unit may be damaged in transit. In the event you discover any type of damage to your product upon receipt, you must immediately contact the transportation company who delivered the item to you and initiate your claim with same. If this procedure is not followed, it may affect the warranty status of the unit.

LIMITED EQUIPMENT WARRANTY

All workmanship and material in Star products have a one (1) year limited warranty on parts & labor in the United States and Canada. Such warranty is limited to the original purchaser only and shall be effective from the date the equipment is placed in service. Star's obligation under this warranty is limited to the repair of defects without charge, by the factory authorized service agency or one of its sub-agencies. Models that are considered portable (*see below*) should be taken to the closest Star service agency, transportation prepaid.

- > Star will not assume any responsibility for loss of revenue.
- > On all shipments outside the United States and Canada, see International Warranty.
- * The warranty period for the JetStar six (6) ounce & Super JetStar eight (8) ounce series popcorn machines is two (2) years.
- * The warranty period for the Chrome-Max Griddles is five (5) years on the griddle surface. See detailed warranty provided with unit.
- * The warranty period for Teflon/Dura-Tec coatings is one year under normal use and reasonable care. This warranty does not apply if damage occurs to Teflon/Dura-Tec coatings from improper cleaning, maintenance, use of metallic utensils, or abrasive cleaners, abrasive pads, product identifiers and point-of-sale attachments, or any other non-food object that comes in continuous contact with the roller coating. This warranty does not apply to the "non-stick" properties of such materials.
- > This warranty does not apply to "Special Products" but to regular catalog items only. Star's warranty on "Special Products" is six (6) months on parts and ninety (90) days on labor.
- > This warranty does not apply to any item that is disassembled or tampered with for any purpose other than repair by a Star Authorized Service Center or the Service Center's sub-agency.
- > This warranty does not apply if damage occurs from improper installation, misuse, wrong voltage, wrong gas or operated contrary to the Installation and Operating instructions.
- > This warranty is not valid on Conveyor Ovens *unless* a "start-up/check-out" has been performed by a Factory Authorized Technician.

PARTS WARRANTY

Parts that are sold to repair out of warranty equipment are warranted for ninety (90) days. The part only is warranted. Labor to replace the part is chargeable to the customer.

SERVICES NOT COVERED BY WARRANTY

1. Travel time and mileage rendered beyond the 50 mile radius limit
2. Mileage and travel time on portable equipment (*see below*)
3. Labor to replace such items that can be replaced easily during a daily cleaning routine, ie; removable kettles on fryers, knobs, grease drawers on griddles, etc.
4. Installation of equipment
5. Damages due to improper installation
6. Damages from abuse or misuse
7. Operated contrary to the Operating and Installation Instructions
8. Cleaning of equipment
9. Seasoning of griddle plates
10. Voltage conversions
11. Gas conversions
12. Pilot light adjustment
13. Miscellaneous adjustments
14. Thermostat calibration and by-pass adjustment
15. Resetting of circuit breakers or safety controls or reset buttons
16. Replacement of bulbs
17. Replacement of fuses
18. Repair of damage created during transit, delivery, & installation OR created by acts of God

PORTABLE EQUIPMENT

Star will not honor service bills that include travel time and mileage charges for servicing any products considered "Portable" including items listed below. These products should be taken to the Service Agency for repair:

- * The Model 510FD Fryer.
- * The Model 526TOA Toaster Oven.
- * The Model J4R, 4 oz. Popcorn Machine.
- * The Model 518CMA & 526CMA Cheese Melter.
- * The Model 12MC & 15MC & 18MCP Hot Food Merchandisers.
- * The Model 12NCPW & 15NCPW Nacho Chip/Popcorn Warmer.
- * All Hot Dog Equipment **except Roller Grills & Drawer Bun Warmers.**
- * All Nacho Cheese Warmers **except Model 11WLA Series Nacho Cheese Warmer.**
- * All Condiment Dispensers **except the Model HPD & SPD Series Dispenser.**
- * All Specialty Food Warmers **except Model 130R, 11RW Series, and 11WSA Series.**
- * All QCS/RCS Series Toasters **except Model QCS3 & RCS3 Series.**

ALL:

- * Pop-Up Toasters
- * Butter Dispensers
- * Pretzel Merchandisers
(Model 16PD-A Only)
- * Pastry Display Cabinets
- * Nacho Chip Merchandisers
- * Accessories of any kind
- * Sneeze Guards
- * Pizza Ovens
(Model PO12 Only)
- * Heat Lamps
- * Pumps-Manual

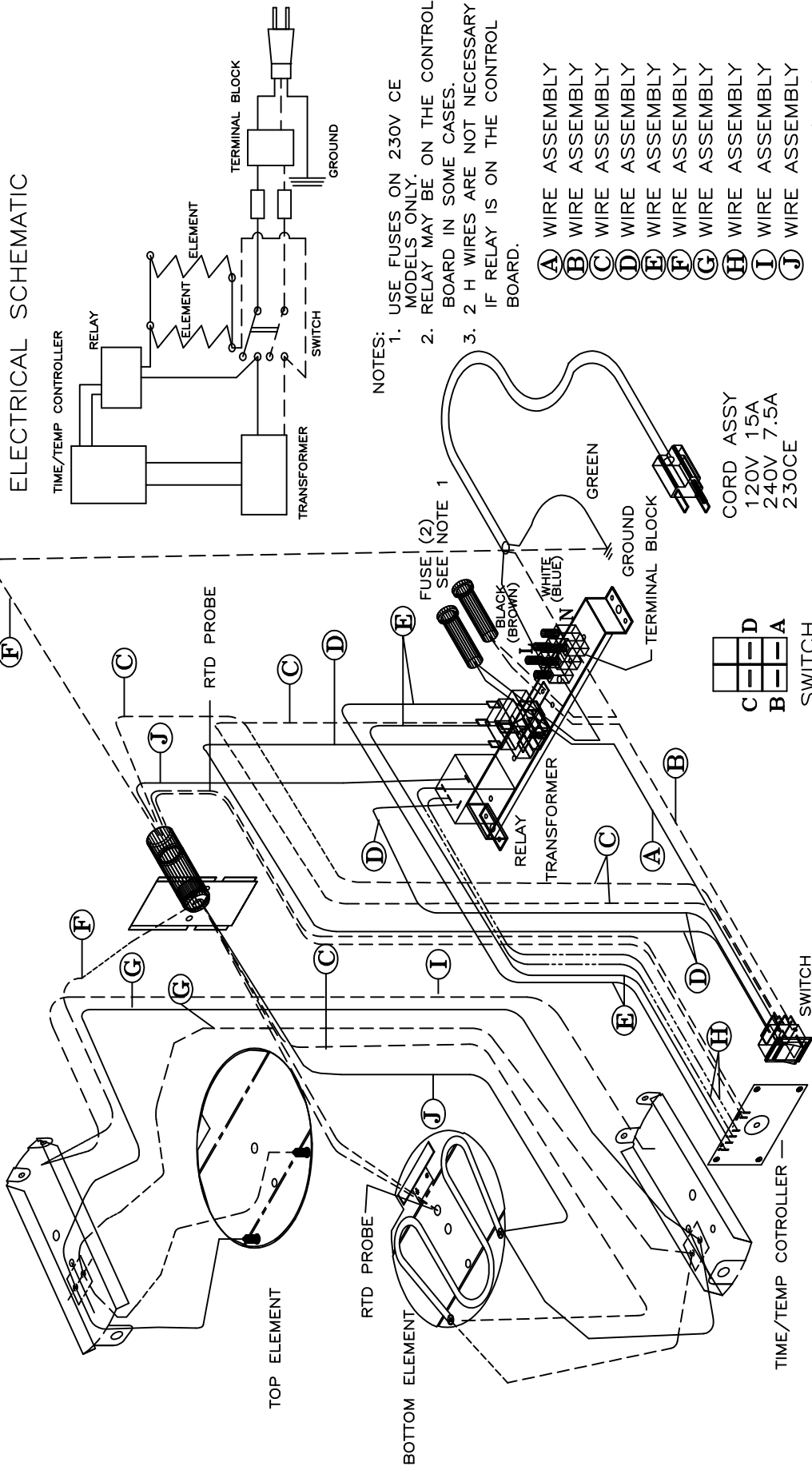
The foregoing warranty is in lieu of any and all other warranties expressed or implied and constitutes the entire warranty.

FOR ASSISTANCE

Should you need any assistance regarding the Operation or Maintenance of any Star equipment; write, phone, fax or email our Service Department. In all correspondence mention the Model number and the Serial number of your unit, and the voltage or type of gas you are using.

WIRING DIAGRAM SWB7RBE/SWB8RBLE

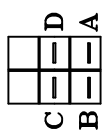
SK1611E



- NOTES:
1. USE FUSES ON 230V CE MODELS ONLY.
 2. RELAY MAY BE ON THE CONTROL BOARD IN SOME CASES.
 3. 2 H WIRES ARE NOT NECESSARY IF RELAY IS ON THE CONTROL BOARD.

- (A) WIRE ASSEMBLY
- (B) WIRE ASSEMBLY
- (C) WIRE ASSEMBLY
- (D) WIRE ASSEMBLY
- (E) WIRE ASSEMBLY
- (F) WIRE ASSEMBLY
- (G) WIRE ASSEMBLY
- (H) WIRE ASSEMBLY
- (I) WIRE ASSEMBLY
- (J) WIRE ASSEMBLY

CORD ASSY
120V 15A
240V 7.5A
230CE



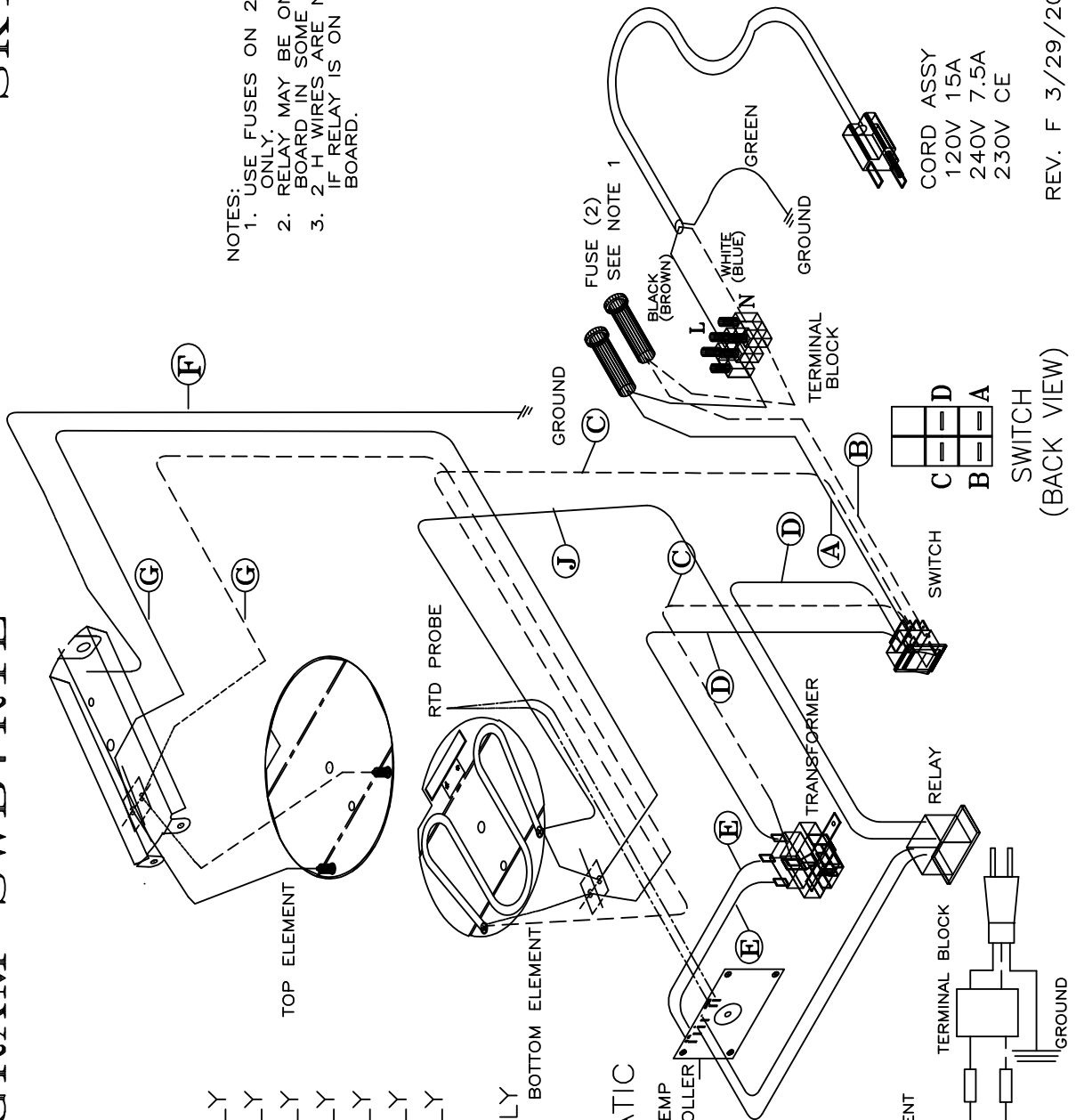
REV. D 11/14/03

WIRING DIAGRAM SWB7R1E

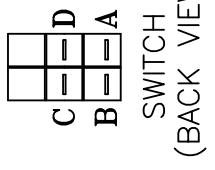
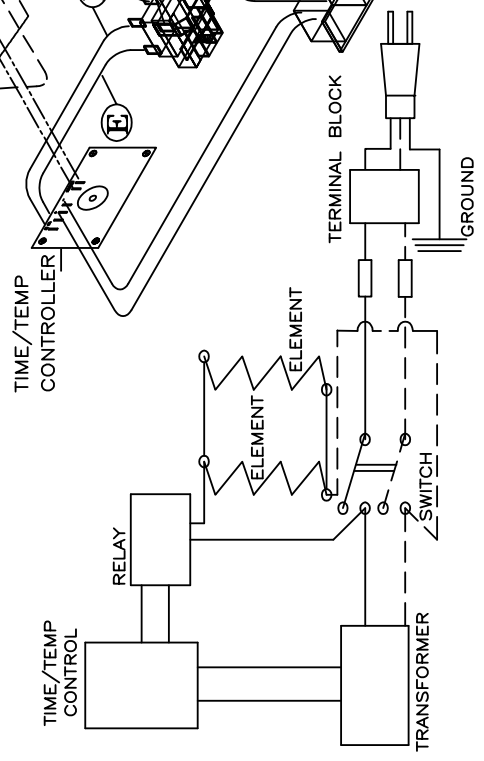
SK1607

- (A) WIRE ASSEMBLY
- (B) WIRE ASSEMBLY
- (C) WIRE ASSEMBLY
- (D) WIRE ASSEMBLY
- (E) WIRE ASSEMBLY
- (F) WIRE ASSEMBLY
- (G) WIRE ASSEMBLY
- (J) WIRE ASSEMBLY

- NOTES:
1. USE FUSES ON 230V CE MODELS ONLY.
 2. RELAY MAY BE ON THE CONTROL BOARD IN SOME CASES.
 3. 2 H WIRES ARE NOT NECESSARY IF RELAY IS ON THE CONTROL BOARD.



ELECTRICAL SCHEMATIC

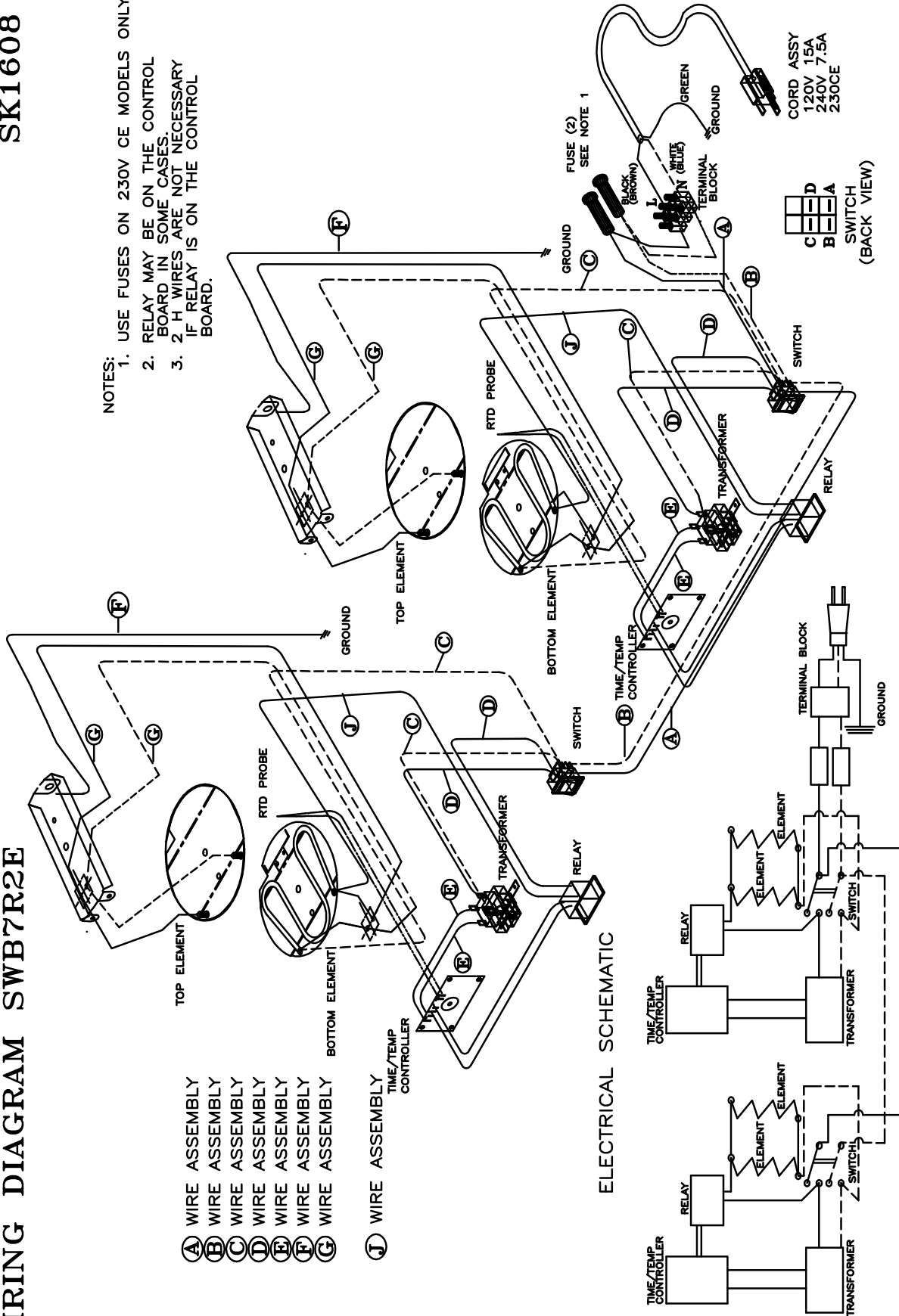


REV. F 3/29/2005

WIRING DIAGRAM SWB7R2E

SK1608

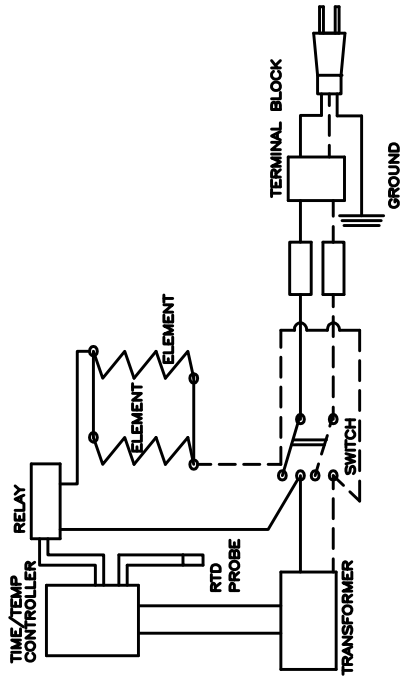
- NOTES:
1. USE FUSES ON 230V CE MODELS ONLY.
 2. RELAY MAY BE ON THE CONTROL BOARD IN SOME CASES.
 3. 2 H WIRES ARE NOT NECESSARY IF RELAY IS ON THE CONTROL BOARD.



WIRING DIAGRAM SWB8SQE

SK1609F

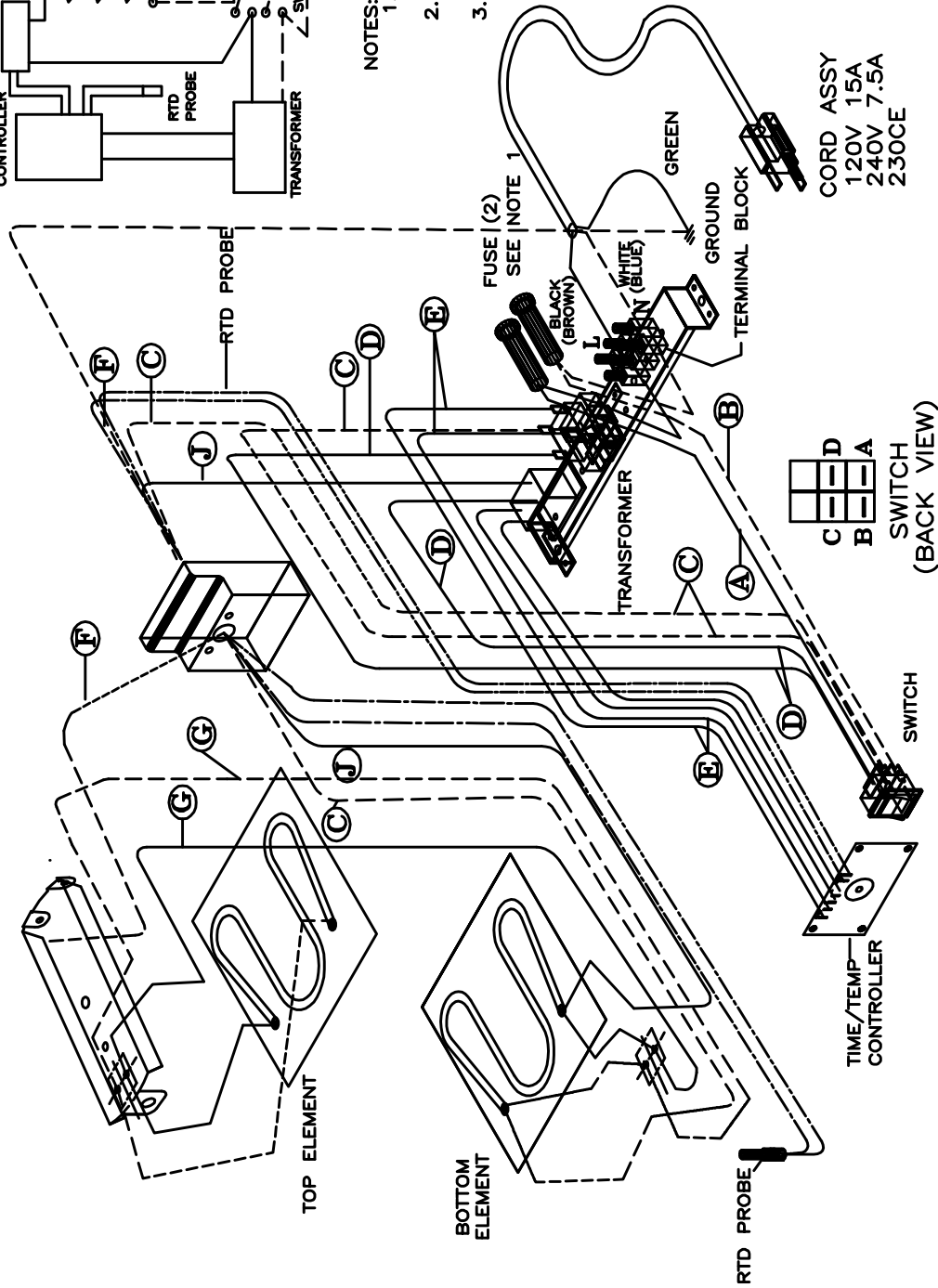
ELECTRICAL SCHEMATIC



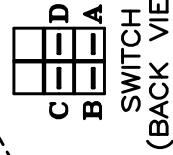
- NOTES:
1. USE FUSES ON 230V CE MODELS ONLY.
 2. RELAY MAY BE ON THE CONTROL BOARD IN SOME CASES.
 3. 2 H WIRES ARE NOT NECESSARY IF RELAY IS ON THE CONTROL BOARD.

- (A) WIRE ASSEMBLY
- (B) WIRE ASSEMBLY
- (C) WIRE ASSEMBLY
- (D) WIRE ASSEMBLY
- (E) WIRE ASSEMBLY
- (F) WIRE ASSEMBLY
- (G) WIRE ASSEMBLY

- (J) WIRE ASSEMBLY



CORD ASSY
120V 15A
240V 7.5A
230CE

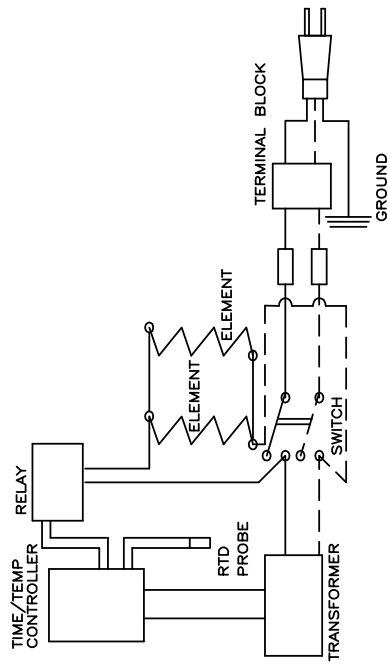


REV. D 3/29/2005

WIRING DIAGRAM SWCBE

SK1610E

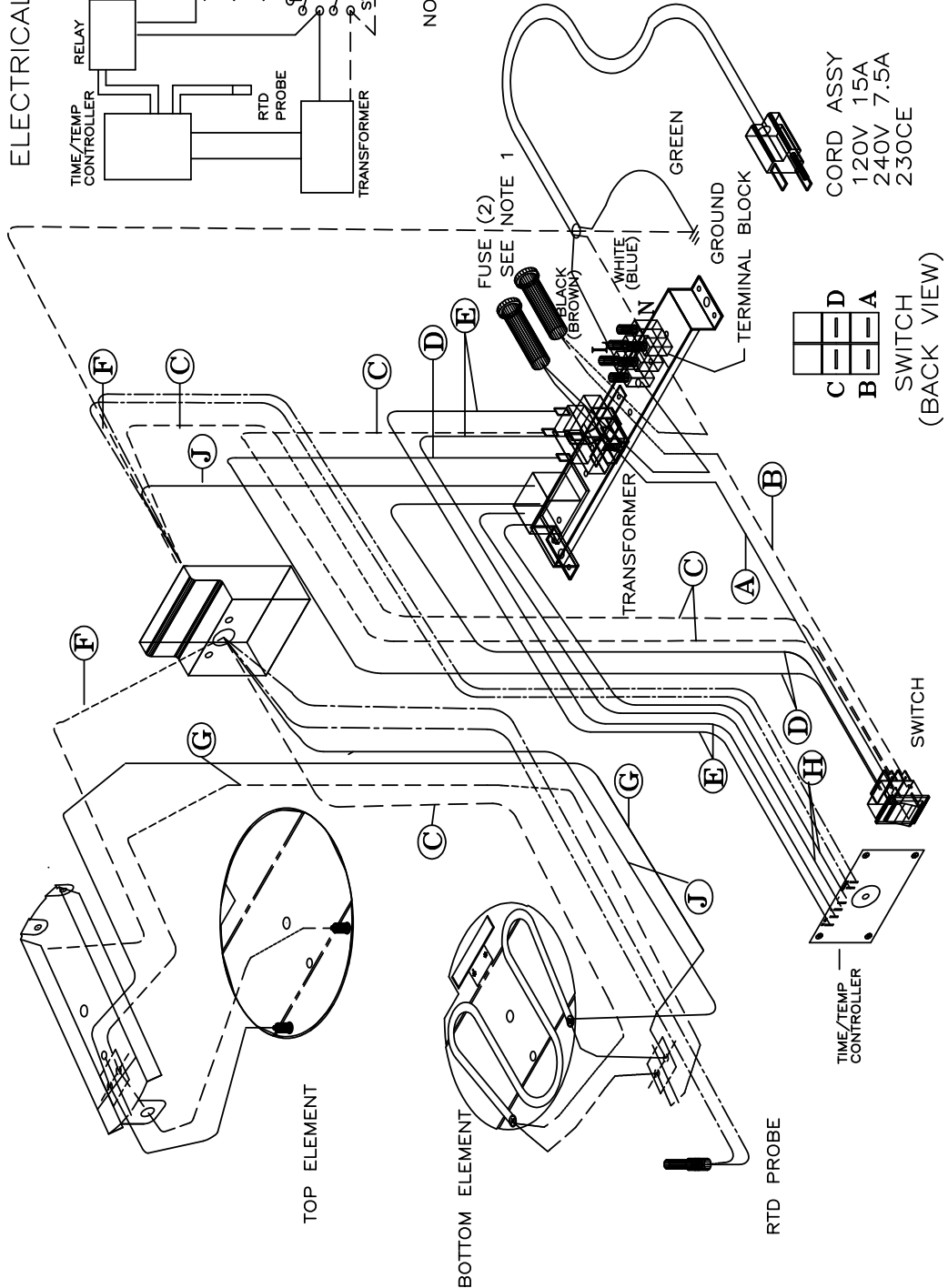
ELECTRICAL SCHEMATIC



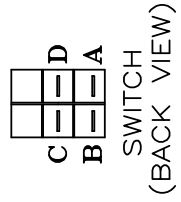
- NOTES:
1. USE FUSES ON 230V CE MODELS ONLY.
 2. RELAY MAY BE ON THE CONTROL BOARD IN SOME CASES.
 3. 2 H WIRES ARE NOT NECESSARY IF RELAY IS ON THE CONTROL BOARD.

- (A) WIRE ASSEMBLY
- (B) WIRE ASSEMBLY
- (C) WIRE ASSEMBLY
- (D) WIRE ASSEMBLY
- (E) WIRE ASSEMBLY
- (F) WIRE ASSEMBLY
- (G) WIRE ASSEMBLY
- (H) WIRE ASSEMBLY

REV. D 11/14/03

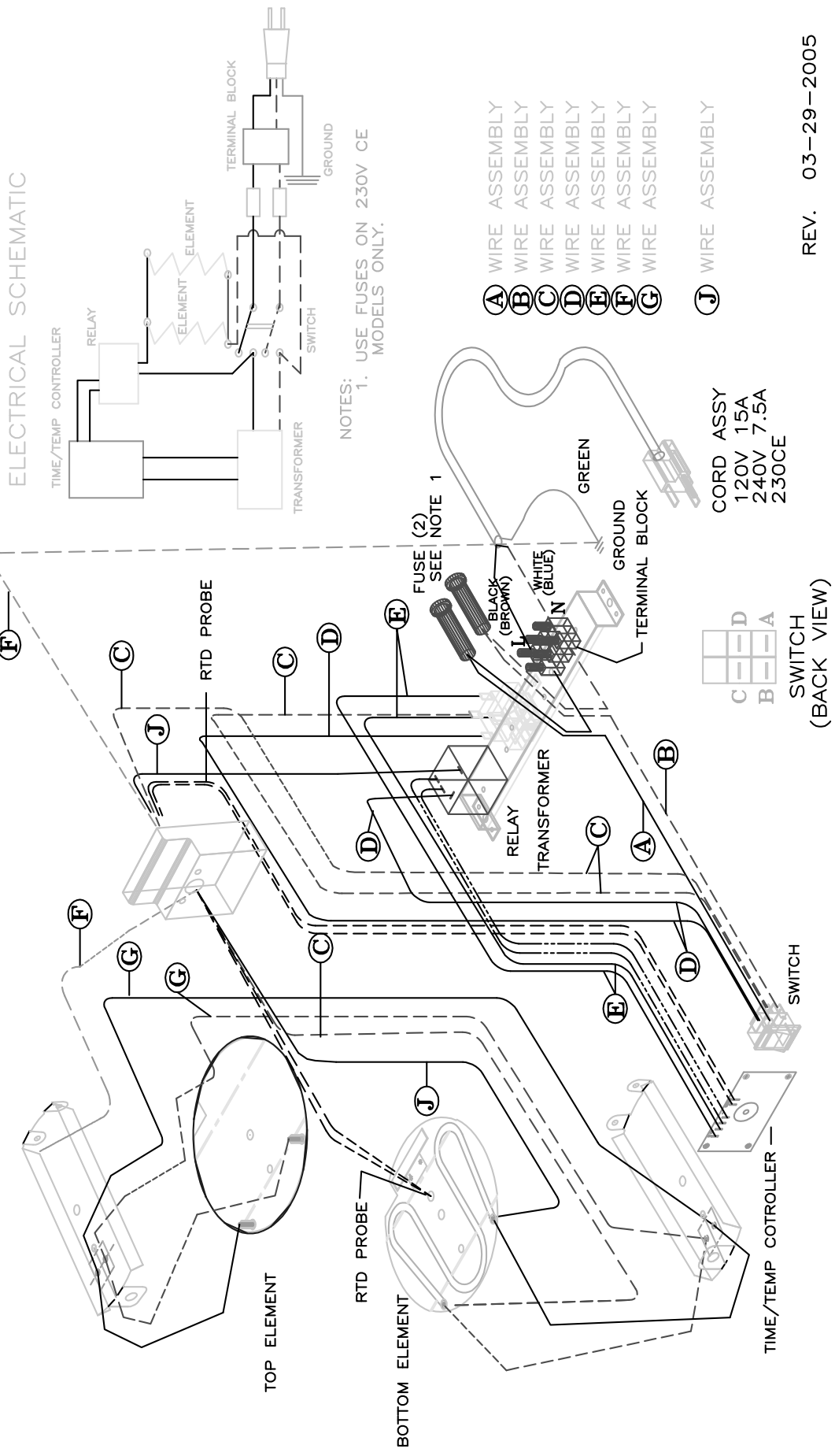


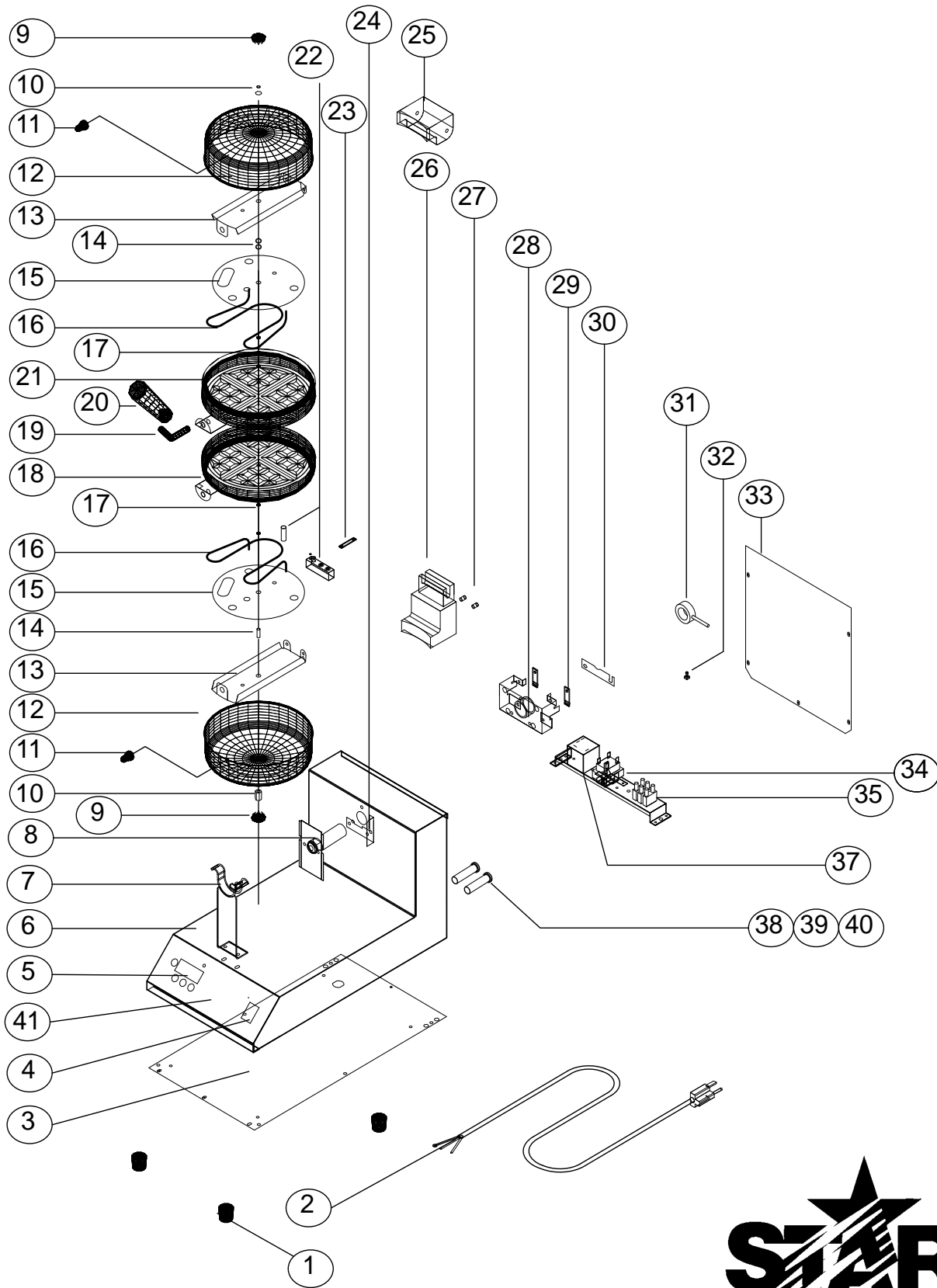
CORD ASSY
120V 15A
240V 7.5A
230CE



WIRING DIAGRAM SWB8RBDE

SK1788F





MODEL: SWB7RB, SWB7RBS, SWB8RBL, SWB7RBE, SWB8RBLE

STAR MANUFACTURING INTERNATIONAL, INC.

SK1595

REV. C

08/14/01

PARTS LIST

June 11, 2008, Rev K

MODEL SWB7RB, SWB7RBS, SWB8RBL Waffle Bakers

Key Number	Part Number	Number Per Unit	Description and Model Designation
1	2I-Z0057	4	FOOT RUBBER
2	B9-73006	1	LEAD IN CORD 120V 15A
	B9-73028	1	LEAD IN CORD 240V
	B9-73029	1	LEAD IN CORD 230V CE
3	B9-Z1723	1	COVER-BOTTOM
4	2E-Z1858	1	SWITCH 20A/120V MOLVENO
5	2J-Z1836	1	TIMER
6	B9-73004	1	BODY ASSEMBLY
7	B9-73003	1	YOKE ASSEMBLY
8	B9-73002	1	HINGE TUBE ASSEMBLY
9	2P-Z1735	2	PLUG CAP 3/4
10	2C-Z1734	2	COUPLING 1/4-20
11	2C-08-07-0064	2	ACORN NUT
12	B9-Z1733	2	CUP 7" SWB7RB
	B9-Z1790	2	CUP 8" SWB8RBL
13	B9-Z1799	2	7" CUP SUPPORT SWB7RB
	B9-Z1800	2	8" CUP SUPPORT SWB8RBL
14	2A-Z2644	2	SPACER 3/8X0.035
15	B9-Z1834	2	PLATE SWB7RB
	B9-Z2013	2	PLATE SWB8RBL
16	2N-Z1457	2	ELEMENT 500W 120V SWB7RB
	2N-Z2720	2	ELEMENT 500W 240V SWB7RB
	2N-Z2010	2	ELEMENT 660W 120V SWB8RBL
	2N-Z2011	2	ELEMENT 660W 240V SWB8RBL
17	2C-Z1674	2	STUD 1/4-20 X 2 1/4
18	2F-Z1666	1	GRID 7" BELGIAN BOTTOM SWB7RB
	2F-Z1768	1	GRID BOTTOM 8" BELGIANLITE SWB8RBL
	2F-Z4846	1	GRID 7" BELGIAN COATED SWB7RBS
19	2A-Z6635	1	SHORT HANDLE ROD PLATED
20	2R-09-WB-0027	1	HANDLE BLACK 3/8-16
21	2F-Z1746	1	GRID 7" BELGIAN, TOP SWB7RB
	2F-Z1767	1	GRID 8" BELGIANLITE, TOP SWB8RBL
	2F-Z4847	1	TOP GRID 7" BELGIAN COATED, TOP SWB7RBS
22	2T-Z2043	1	THERMOSTAT
23	B9-Z1998	1	HOLDER-THERMOSTAT
24	B9-Z1805	1	BRACKET STOPPER
25	B9-73010	1	TOP HINGE ASSEMBLY
	B9-Z2664	1	PIN HINGE
26	B9-Z1765	1	LOWER HINGE MACHINED
27	2A-Z2643	2	SPACER 1/4X0.028
28	B9-73011	1	BRACKET REAR ASSEMBLY
29	B9-Z1772	2	TENSION SPRING
30	B9-Z1776	1	PLATE CLAMP
31	B9-73033	1	COLLAR ASSEMBLY
32	2C-Z2613	1	SET-SCREW 10-32X3/8
33	B9-Z1724	1	COVER-BACK
34	2E-05-07-0351	1	TRANSFORMER 115/10V 6VA 120V
	2E-05-07-0350	1	TRANSFORMER 230V/10V 6VA 240V
	2E-Z2974	1	TRANSFORMER 230V/10V CE 230V CE

**IMPORTANT: WHEN ORDERING, SPECIFY VOLTAGE OR TYPE GAS DESIRED
INCLUDE MODEL AND SERIAL NUMBER**

PAGE 1
OF 2

Some items are included for illustrative purposes only and in certain instances may not be available.



Star Manufacturing International, Inc.

PARTS LIST

June 11, 2008, Rev K

MODEL SWB7RB, SWB7RBS, SWB8RBL Waffle Bakers

Key Number	Part Number	Number Per Unit	Description and Model Designation
36	B9-Z1760	1	DRIP TRAY (not shown)
37	2E-Z2890	1	RELAY 25A 230V CE
	2E-05-07-0352	1	RELAY 30A
38	2E-Z2145	2	FUSEHOLDER 230V CE
39	2E-Z2146	2	FUSE CARRIER 230V CE
41	2M-Z2108	1	SIGN
NI	B9-40-WB-0046	AR	KIT: ARM TERMINAL ASSEMBLY
NI	2K-Y1139	1	HINGE TUBE BUSHING
NI	IO-E1500	AR	SLEEVING #4 .208ID GLASS
NI	B9-Z2645	2.25 FT	SLEEVING FOR TOP WIRES

SWB7RB, SWB8RBL

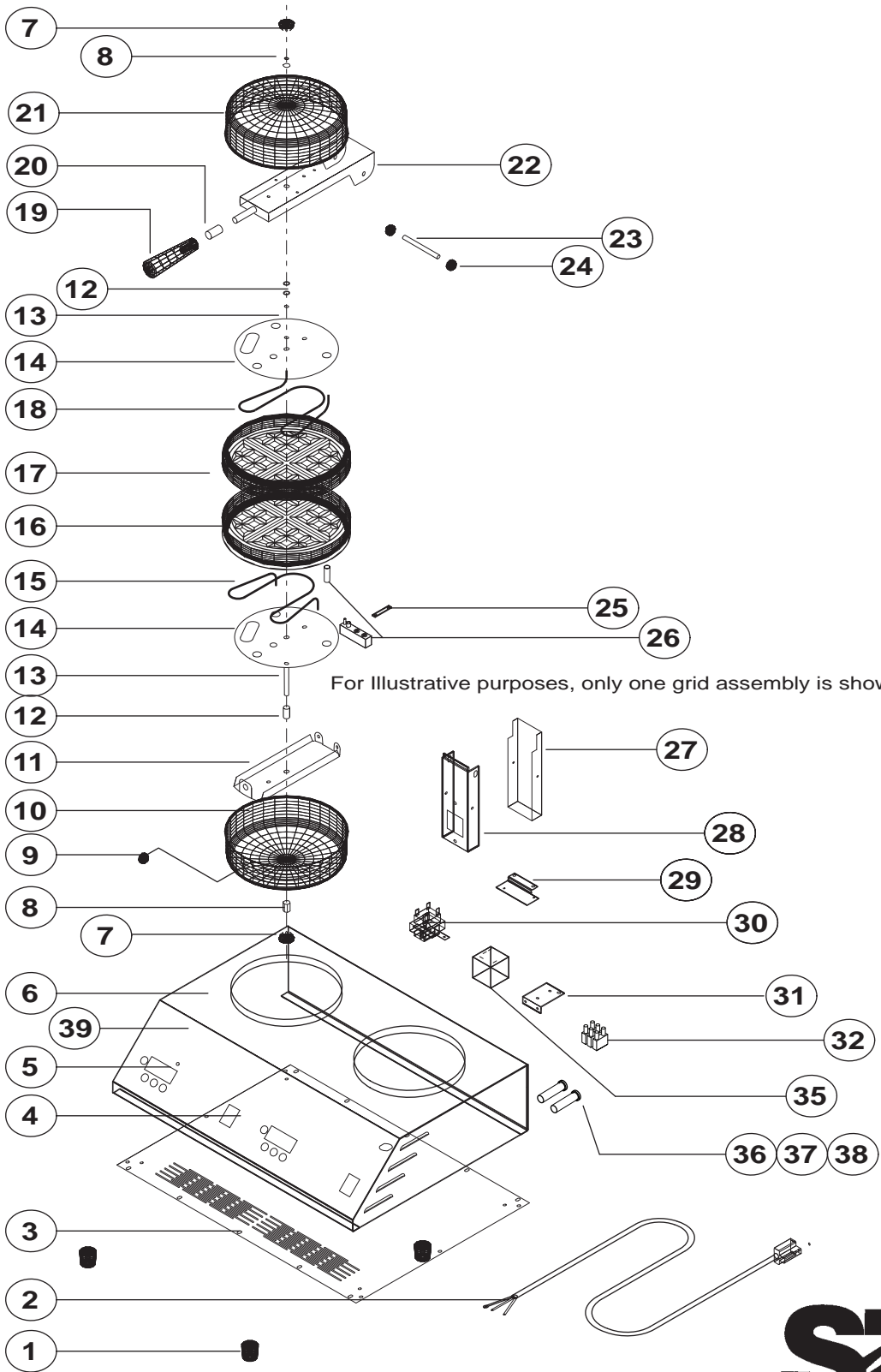
**IMPORTANT: WHEN ORDERING, SPECIFY VOLTAGE OR TYPE GAS DESIRED
INCLUDE MODEL AND SERIAL NUMBER**

PAGE 2
OF 2

Some items are included for illustrative purposes only and in certain instances may not be available.



Star Manufacturing International, Inc.



MODEL: SWB7R, SWB7R1, SWB7R1E, SWB7R2E

STAR MANUFACTURING INTERNATIONAL, INC.

SK1605

REV. A

08/28/98

PARTS LIST

June 11, 2008, Rev K

MODEL SWB7R1, SWB7R2 Waffle Bakers

Key Number	Part Number	Number Per Unit	Description and Model Designation	
1	2I-Z0057	4	FOOT RUBBER	
2	B9-73006	1	LEAD IN CORD 120V 15A	
	B9-73028	1	LEAD IN CORD 240V	
	B9-73029	1	LEAD IN CORD 230V CE	
3	B9-Z1926	1	COVER-BOTTOM SINGLE	SWB7R1
	B9-Z1927	1	COVER-BOTTOM DOUBLE	SWB7R2
4	2E-Z1858	1/2	SWITCH 20A/120V MOLVENO / 240V	SWB7R1/SWB7R2
5	2J-Z1836	1/2	TIMER / 240V	SWB7R1/SWB7R2
6	B9-73074	1	BODY ASSEMBLY SINGLE	SWB7R1
	B9-73073	1	BODY ASSEMBLY DOUBLE	SWB7R2
7	2P-Z1735	2/4	PLUG CAP 3/4	SWB7R1/SWB7R2
8	2C-Z1734	2/4	COUPLING 1/4-20	SWB7R1/SWB7R2
9	2C-08-07-0041	1/2	ACORN NUT	SWB7R1/SWB7R2
10	2D-Z7611	1/2	CUP 7"	SWB7R1/SWB7R2
11	B9-Z1799	1/2	7" CUP SUPPORT	SWB7R1/SWB7R2
12	2A-Z2644	2/4	SPACER 3/8X0.035	SWB7R1/SWB7R2
13	2C-Z1674	2/4	STUD 1/4-20 X 2 1/4	SWB7R1/SWB7R2
14	B9-Z1834	2/4	PLATE	SWB7R1/SWB7R2
15	2N-Z2843	1/2	ELEMENT ROD 475W 120V	SWB7R1/SWB7R2
	2N-Z2264	1/2	ELEMENT ROD 475W 240V	SWB7R1/SWB7R2
16	2F-Z1770	1/2	GRID 7" STANDARD BOTTOM	SWB7R1/SWB7R2
17	2F-Z1769	1/2	GRID 7" STANDARD	SWB7R1/SWB7R2
18	2N-Z2040	1/2	ELEMENT ROD 425W 120V	SWB7R1/SWB7R2
	2N-Z2135	1/2	ELEMENT ROD 425W 240V	SWB7R1/SWB7R2
19	2R-09-WB-0027	1/2	HANDLE BLACK 3/8-16	SWB7R1/SWB7R2
20	2A-Z2606	1/2	SPACER	SWB7R1/SWB7R2
21	B9-Z2016	1/2	CUP 7"	SWB7R1/SWB7R2
22	B9-73044	1/2	CUP SUPPORT HINGE ASSEMBLY	SWB7R1/SWB7R2
23	B9-04-WB-0198	1/2	PIN HINGE	SWB7R1/SWB7R2
24	2C-08-07-0040	2/4	ACORN NUT	SWB7R1/SWB7R2
25	B9-Z1998	1/2	HOLDER THERMOSTAT	SWB7R1/SWB7R2
26	2T-Z2043	1/2	THERMOSTAT	SWB7R1/SWB7R2
27	B9-04-WB-0231	1/2	WIRE CHANNEL COVER	SWB7R1/SWB7R2
28	B9-Z2008	1/2	WIRE CHANNEL	SWB7R1/SWB7R2
29	B9-Z2612	1/2	BRACKET-TRANSFORMER	SWB7R1/SWB7R2
30	2E-05-07-0351	1/2	TRANSFORMER 115/10V 6VA 120V	SWB7R1/SWB7R2
	2E-05-07-0350	1/2	TRANSFORMER 230V/10V 6VA 240V	SWB7R1/SWB7R2
	2E-Z2974	1/2	TRANSFORMER 230V/10V 230V CE	SWB7R1/SWB7R2
31	B9-Z1925	1	BRACKET-TERMINAL	
32	2E-Y9050	1	TERMINAL BLOCK	
33	B9-Z1853	1	DRIP TRAY, SINGLE (not shown)	SWB7R1
34	B9-Z1751	1	DRIP TRAY, DOUBLE (not shown)	SWB7R2
35	2E-Z2890	1/2	RELAY 25AMP 230V CE	SWB7R1/SWB7R2
	2E-05-07-0352	1/2	RELAY 30AMP	SWB7R1/SWB7R2
36	2E-Z2145	2	FUSEHOLDER 230V CE	
37	2E-Z2146	2	FUSEHOLDER 230V CE	
38	2E-Z2147	2	FUSE 8A 250V 230V CE	
39	2M-Z2111	1	SIGN	SWV7R1
	2M-Z2112	1	SIGN	SWB7R2

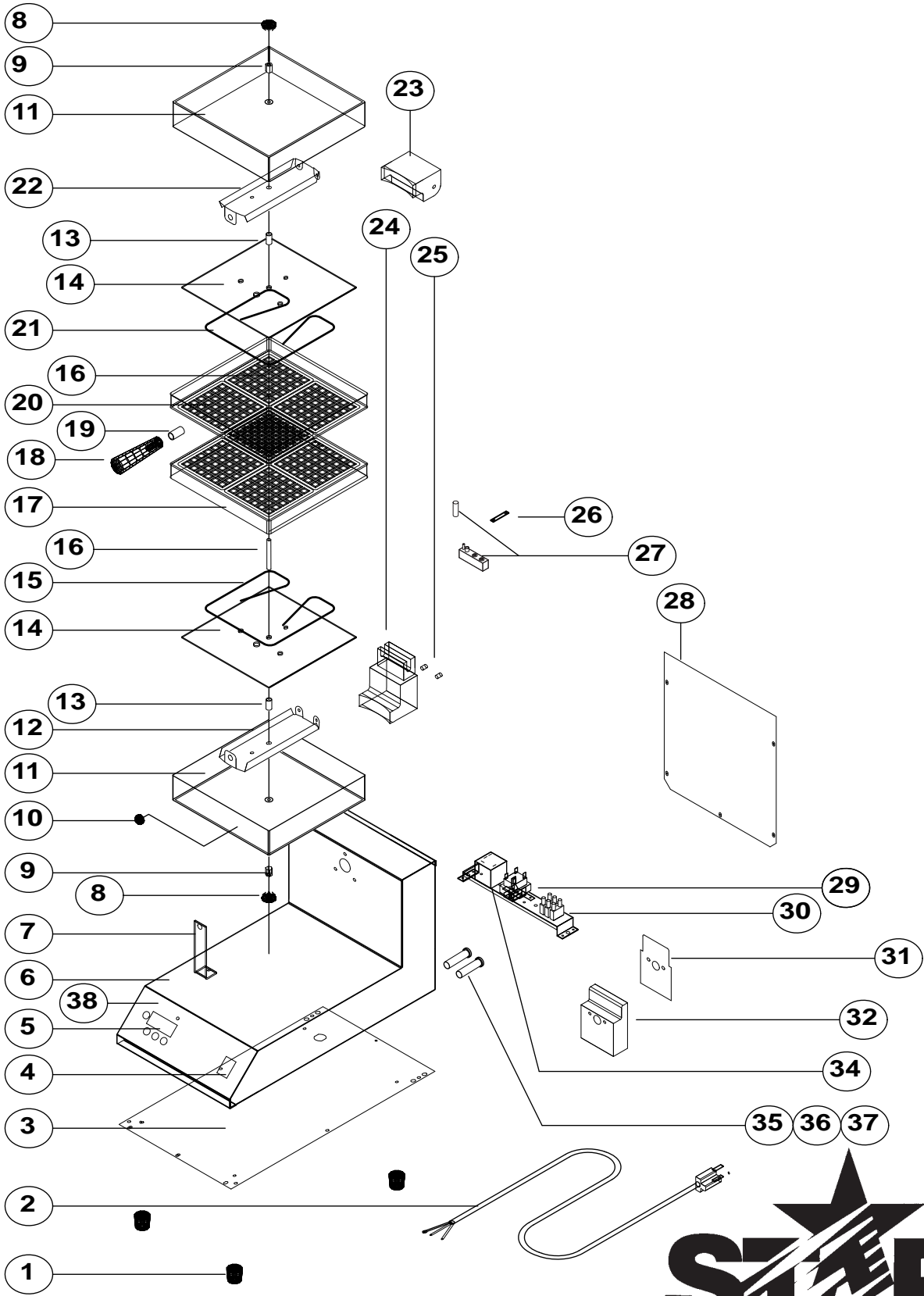
**IMPORTANT: WHEN ORDERING, SPECIFY VOLTAGE OR TYPE GAS DESIRED
INCLUDE MODEL AND SERIAL NUMBER**

PAGE 1
OF 1

Some items are included for illustrative purposes only and in certain instances may not be available.



Star Manufacturing International, Inc.



MODEL SWB8SQ, SWB8SQE

STAR MANUFACTURING INTERNATIONAL, INC.

SK1606

REV. A

5/21/1999

PARTS LIST

June 11, 2008, Rev K

MODEL SWB8SQ Waffle Bakers

Key Number	Part Number	Number Per Unit	Description
1	2I-Z0057	4	FOOT RUBBER
2	B9-73006	1	LEAD IN CORD 120V 15A
	B9-73028	1	LEAD IN CORD 240V
	B9-73029	1	LEAD IN CORD 230V CE
3	B9-Z1723	1	COVER-BOTTOM
4	2E-Z1858	1	SWITCH 20A/120V MOLVENO
5	2J-Z1836	1	TIMER
6	B9-73004	1	BODY ASSEMBLY
7	B9-Z1845	1	FRONT SUPPORT
8	2P-Z1735	2	PLUG CAP 3/4
9	2C-Z1734	2	COUPLING 1/4-20
10	2C-08-07-0064	1	ACORN NUT
11	B9-Z1830	2	CUP
12	B9-Z1831	2	CUP SUPPORT
13	2A-Z2644	2	SPACER 3/8X0.035
14	B9-Z1832	2	PLATE
15	2N-Z2841	1	ELEMENT 855W 120V
	2N-Z2249	1	ELEMENT 855W 240V
16	2C-Z1674	2	STUD 1/4-20 X 2 1/4
17	B9-Z1780	1	GRID 8" SQUARE BOTTOM
18	2R-09-WB-0027	1	HANDLE BLACK 3/8-16
19	2A-Z2607	1	SPACER
20	B9-Z1779	1	GRID 8" SQUARE
21	2N-Z2842	1	ELEMENT 790W 120V
	2N-Z2248	1	ELEMENT 790W 240V
22	B9-85016	1	CUP SUPPORT SQUARE ASSEMBLY
23	B9-85015	1	TOP HINGE ASSEMBLY
24	B9-Z1764	1	LOWER HINGE MACHINED
25	2A-Z2643	2	SPACER 1/4X0.028
26	B9-Z1998	2	HOLDER THERMOSTAT
27	2T-Z2043	2	THERMOSTAT
28	B9-Z1724	1	COVER-BACK
29	2E-05-07-0351	1	TRANSFORMER 115/10V 6VA 120V
	2E-05-07-0350	1	TRANSFORMER 230V/10V 6VA 240V
	2E-Z2974	1	TRANSFORMER 230V/10V 230V CE
30	2E-Y9050	1	TERMINAL BLOCK
31	B9-Z1859	1	PLATE-COVER-HINGE
32	B9-Z1835	1	SPACER
33	B9-Z1760	1	DRIP TRAY (not shown)
34	2E-05-07-0352	1	RELAY 30 AMP
	2E-Z2890	1	RELAY 25AMP 230V CE
35	2E-Z2145	2	FUSEHOLDER 230V CE
36	2E-Z2146	2	FUSE CARRIER 230V CE
37	2E-Z2147	2	FUSE 8A 250V 230V CE
38	2M-Z2108	1	SIGN
NI	B9-40-WB-0046	AR	KIT;ARM TERMINAL ASSEMBL

SWB8SQ

**IMPORTANT: WHEN ORDERING, SPECIFY VOLTAGE OR TYPE GAS DESIRED
INCLUDE MODEL AND SERIAL NUMBER**

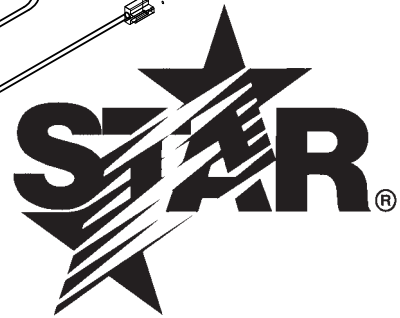
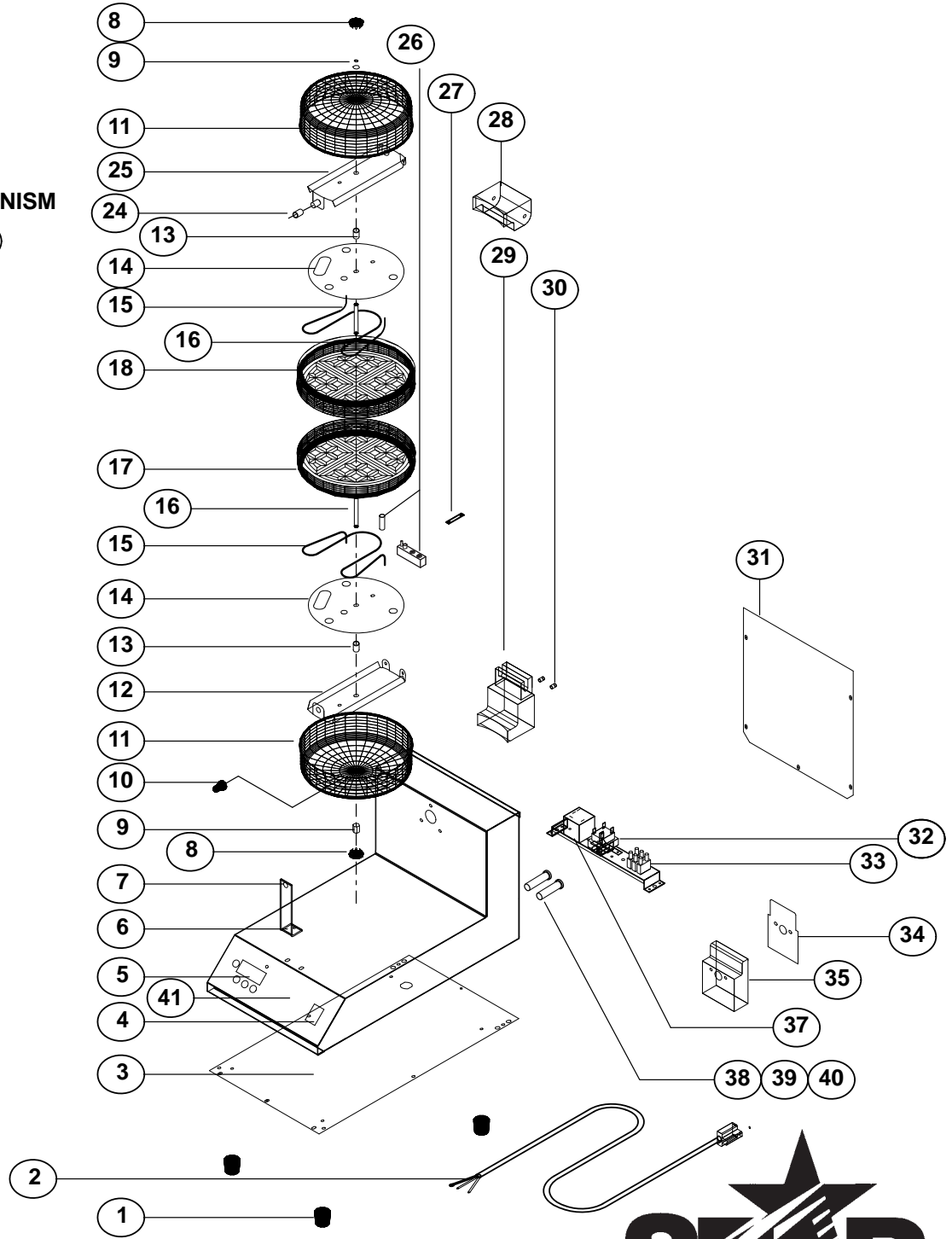
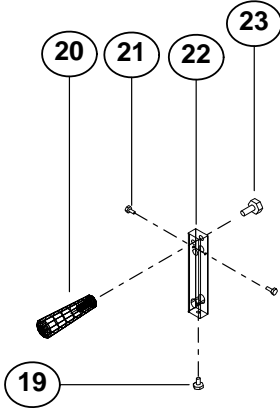
PAGE 1
OF 1

Some items are included for illustrative purposes only and in certain instances may not be available.



Star Manufacturing International, Inc.

LOCKING MECHANISM



MODEL: SWCB

STAR MANUFACTURING INTERNATIONAL, INC.

SK1604

REV. A

5-20-99

PARTS LIST

November 26, 2008, Rev K

MODEL SWCB Waffle Bakers

Key Number	Part Number	Number Per Unit	Description
1	2I-Z0057	4	FOOT RUBBER
2	B9-73006	1	LEAD IN CORD 120V 15A
	B9-73028	1	LEAD IN CORD 240V
	B9-73029	1	LEAD IN CORD 230V CE
3	B9-Z1723	1	COVER-BOTTOM
4	2E-Z1858	1	SWITCH 20A/120V MOLVENO
5	2J-Z1836	1	TIMER CONTROL
6	B9-73004	1	BODY ASSEMBLY
7	B9-Z1810	1	FRONT SUPPORT
8	2P-Z1735	2	PLUG CAP 3/4
9	2C-Z1734	2	COUPLING 1/4-20
10	2A-09-WB-0094	1	LOCK BULLET
11	B9-Z1790	2	CUP
12	B9-Z1800	1	CUP SUPPORT
13	2A-Z2644	2	SPACER 3/8X0.035
14	B9-Z2013	2	PLATE
15	2N-Z2010	2	ELEMENT 660W 120V
	2N-Z2011	2	ELEMENT 660W 240V
16	2C-Z1674	2	STUD 1/4-20 X 2 1/4
17	B9-Z1775	1	GRID 8" CONE BOTTOM
18	B9-Z1774	1	GRID 8" CONEBAKER, TOP
19	2C-08-07-0112	2	SET SCREW 1/4-20 X 1/4
20	2R-09-WB-0027	1	HANDLE BLACK 3/8-16
21	2C-08-07-0230	2	SCREW 8-32 X 3/8 ACHD
22	2R-Z5658	1	LOCKING ARM 5.25"
23	2C-08-07-0088	1	SCREW 3/8-16X1 1/4 SHCS
24	2A-Z2608	1	SPACER
25	B9-85017	1	CUP SUPPORT ASSEMBLY CONE
26	2T-Z2043	1	THERMOSTAT
27	B9-Z1998	1	HOLDER THERMOSTAT
28	B9-73010	1	TOP HINGE ASSEMBLY
29	B9-Z1764	1	LOWER HINGE MACHINED
30	2A-Z2643	2	SPACER 1/4X0.028
31	B9-Z1724	1	COVER-BACK
32	2E-05-07-0351	1	TRANSFORMER 115/10V 6VA 120V
	2E-05-07-0350	1	TRANSFORMER 230V/10V 6VA 240V
	2E-Z2974	1	TRANSFORMER 230V/10V 230V CE
33	2E-Y9050	1	TERMINAL BLOCK
34	B9-Z1859	1	PLATE-COVER-HINGE
35	B9-Z1835	1	SPACER
36	B9-Z1760	1	DRIP TRAY (not shown)
37	2E-Z2890	1	RELAY 25A 230V CE
	2E-05-07-0352	1	RELAY 30A
38	2E-Z2145	2	FUSEHOLDER 230V CE
39	2E-Z2146	2	FUSE CARRIER 230V CE
40	2E-Z2147	2	FUSE 8A 250V 230V CE
41	2M-Z2108	1	SIGN

SWCB

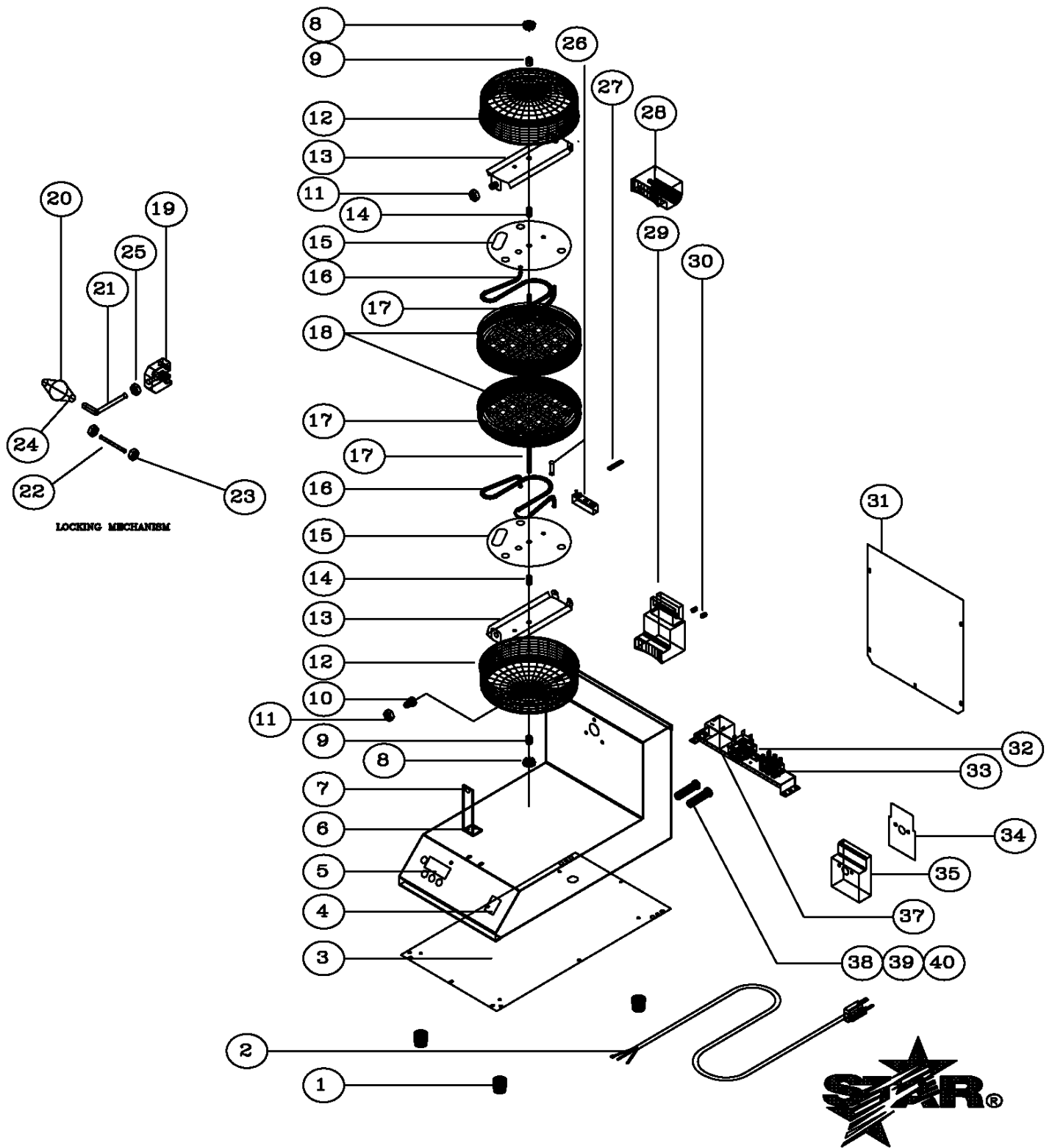
**IMPORTANT: WHEN ORDERING, SPECIFY VOLTAGE OR TYPE GAS DESIRED
INCLUDE MODEL AND SERIAL NUMBER**

PAGE 1
OF 1

Some items are included for illustrative purposes only and in certain instances may not be available.



Star Manufacturing International, Inc.



STAR MANUFACTURING INTERNATIONAL, INC.

MODEL SWB8RBD, SWB8RBDE REV. SK1789 07-13-2000 DR: M.P.

PARTS LIST

January 31, 2006, Rev J

MODEL SWB8RBD Waffle Bakers

Key Number	Part Number	Number Per Unit	Description
1	2I-Z0057	4	FOOT RUBBER
2	2E-Z3385	1	LEAD IN CORD 120V 15A
	B9-73028	1	LEAD IN CORD 240V
	B9-73029	1	LEAD IN CORD 230V CE
3	B9-Z1723	1	COVER-BOTTOM
4	2E-Z1858	1	SWITCH 20A/120V MOLVENO
5	2J-Z1836	1	TIMER CONTROL
6	B9-73004	1	BODY ASSEMBLY
7	B9-Z1810	1	FRONT SUPPORT
8	2P-Z1735	2	PLUG CAP 3/4
9	2C-Z1734	2	COUPLING 1/4-20
10	2C-08-07-0041	2	BOLT 3/8-24 x 1/2 HEX
11	2C-08-07-0064	2	HEX ACORN NUT 3/8-24
12	B9-Z1790	2	CUP
13	B9-Z3731	1	CUP SUPPORT
14	2A-Z2644	2	SPACER 3/8X0.035
15	B9-Z3754	2	PLATE
16	2N-Z2010	2	ELEMENT 660W 120V
	2N-Z2011	2	ELEMENT 660W 240V
17	2C-Z1674	2	STUD 1/4-20 X 2 1/4
18	B9-Z3734	2	GRID 8" DIAMETER MACHINED
19	B9-70-WB-0001	1	LOCK HANDLE
20	2R-09-WB-0027	1	HANDLE-BLACK 3/8-16
21	2E-Z6635	1	SHORT HANDLE RED PLATED
22	B9-70-WB-0132	2	LOCK PIN
23	2C-08-07-0040	2	ACORN NUT 1/4-20
24	2C-08-07-0037	1	SCREW 6-32 x 3/8
25	2C-08-07-0054	1	NUT 3/8-16 HEX
26	2T-Z2043	1	THERMOSTAT
27	B9-Z1998	1	HOLDER THERMOSTAT
28	B9-73010	1	TOP HINGE ASSEMBLY
29	B9-Z1764	1	LOWER HINGE MACHINED
30	2A-Z2643	2	SPACER 1/4X0.028
31	B9-Z1724	1	COVER-BACK
	B9-Z2985	1	COVER-BACK 230CE
32	2E-05-07-0351	1	TRANSFORMER 115/10V 6VA 120V
	2E-05-07-0350	1	TRANSFORMER 230V/10V 6VA 240V
	2E-Z2974	1	TRANSFORMER 230V/10V 230V CE
33	2E-Y9050	1	TERMINAL BLOCK
34	B9-Z1859	1	PLATE-COVER-HINGE
35	B9-Z1835	1	SPACER
36	B9-Z1760	1	DRIP TRAY (not shown)
37	2E-Z2890	1	RELAY 25A 230V CE
	2E-05-07-0352	1	RELAY 30A
38	2E-Z2145	2	FUSEHOLDER 230V CE
39	2E-Z2146	2	FUSE CARRIER 230V CE
40	2E-Z2147	2	FUSE 8A 250V 230V CE
41	2M-Z2108	1	SIGN

**IMPORTANT: WHEN ORDERING, SPECIFY VOLTAGE OR TYPE GAS DESIRED
INCLUDE MODEL AND SERIAL NUMBER**

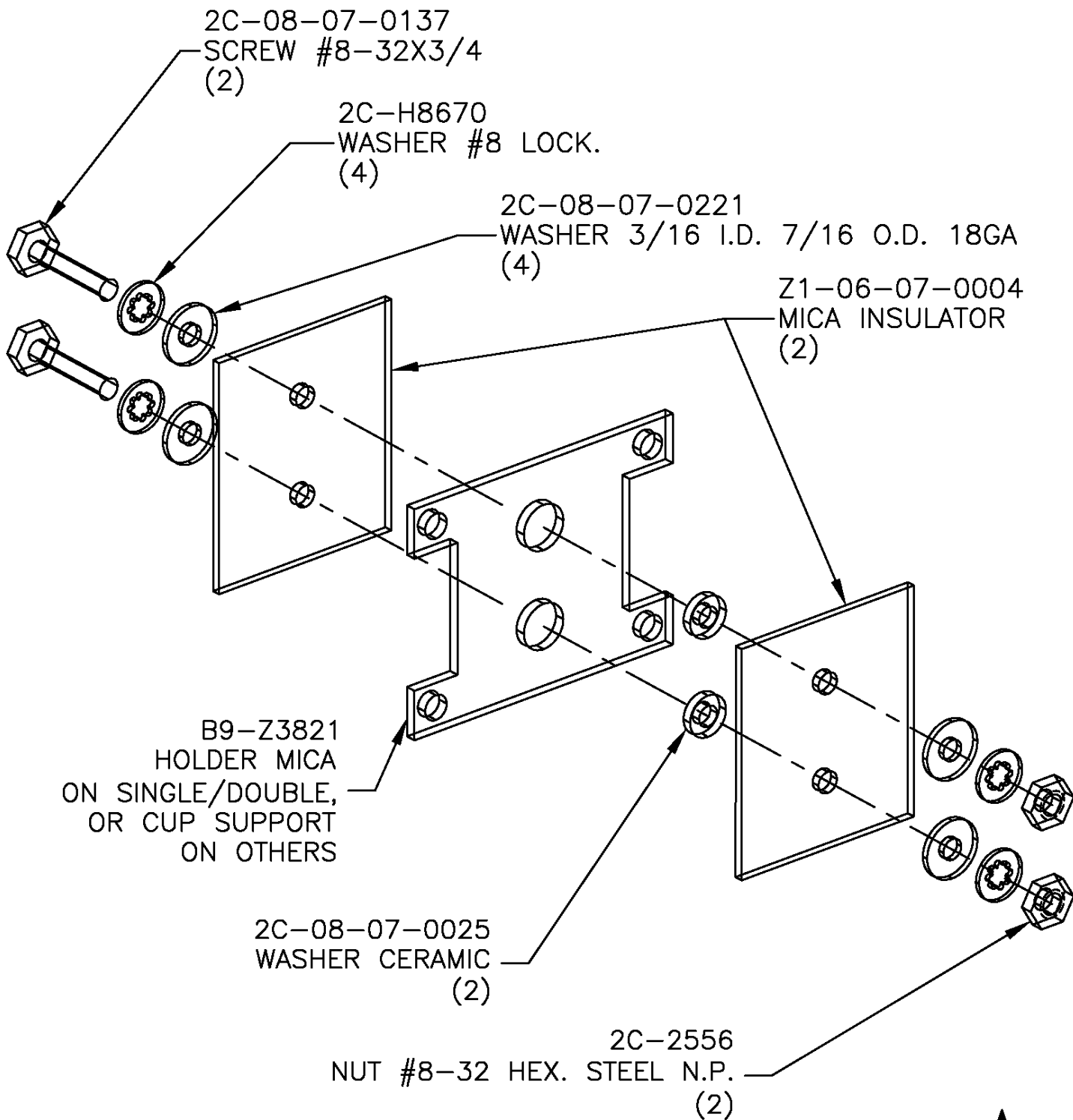
PAGE 1
OF 1

Some items are included for illustrative purposes only and in certain instances may not be available.



Star Manufacturing International, Inc.

INSTALLATION OF MICA INSULATION PARTS ON WAFFLE BAKERS



SOME ITEMS ARE INCLUDED FOR
ILLUSTRATIVE PURPOSES ONLY AND IN
CERTAIN INSTANCES MAY NOT BE AVAILABLE

This drawing contains information confidential
to Star Manufacturing International, Inc.
No reproduction or disclosure of it's
contents is permitted.



STAR MANUFACTURING INTERNATIONAL, INC.

MODELS: WAFFLE BAKERS

SK1811 REV. SEPT. 08,2000 DR: M.P.