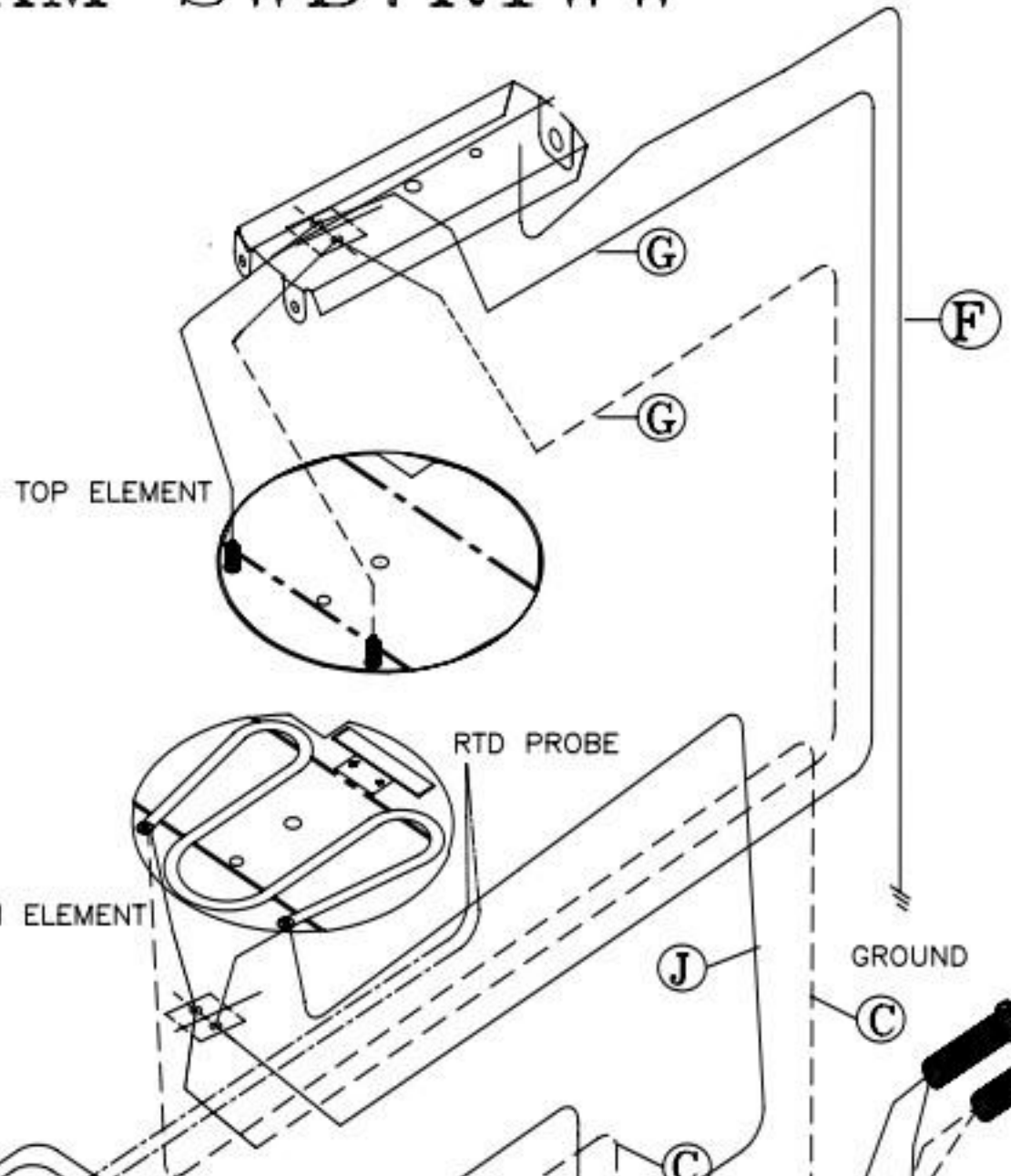


WIRING DIAGRAM SWB7R1WW

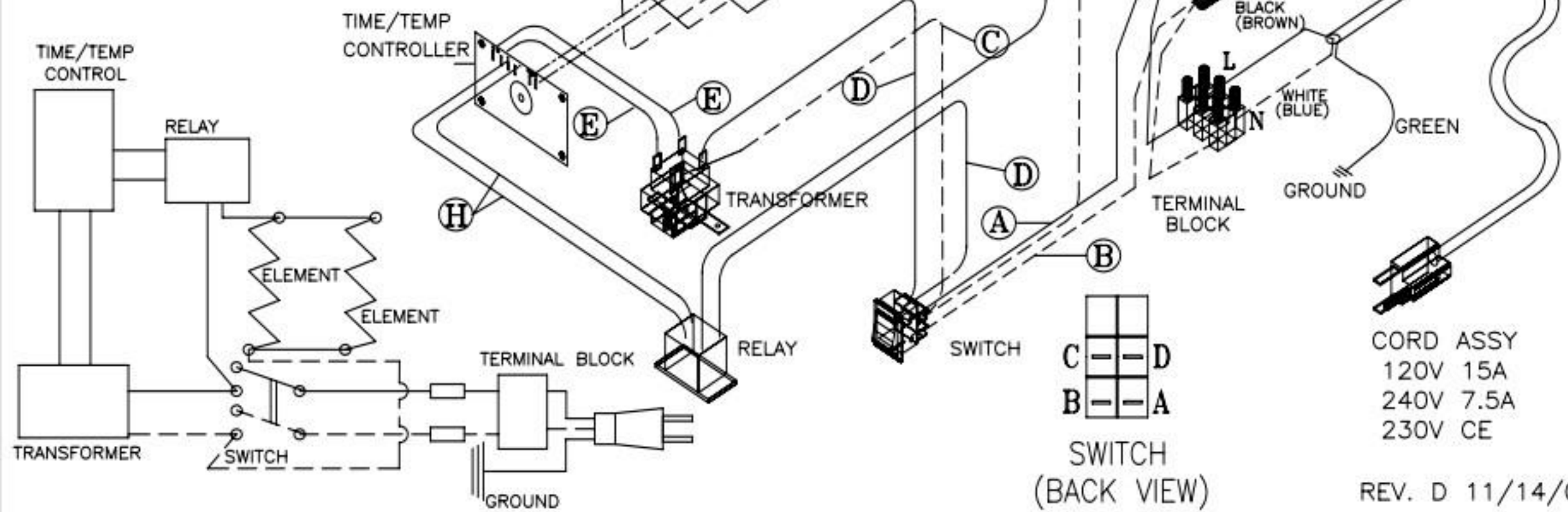
SK2068

- (A) WIRE ASSEMBLY
- (B) WIRE ASSEMBLY
- (C) WIRE ASSEMBLY
- (D) WIRE ASSEMBLY
- (E) WIRE ASSEMBLY
- (F) WIRE ASSEMBLY
- (G) WIRE ASSEMBLY
- (H) WIRE ASSEMBLY
- (J) WIRE ASSEMBLY



- NOTES:
1. USE FUSES ON 230V CE MODELS ONLY.
 2. RELAY MAY BE ON THE CONTROL BOARD IN SOME CASES.
 3. 2 H WIRES ARE NOT NECESSARY IF RELAY IS ON THE CONTROL BOARD.

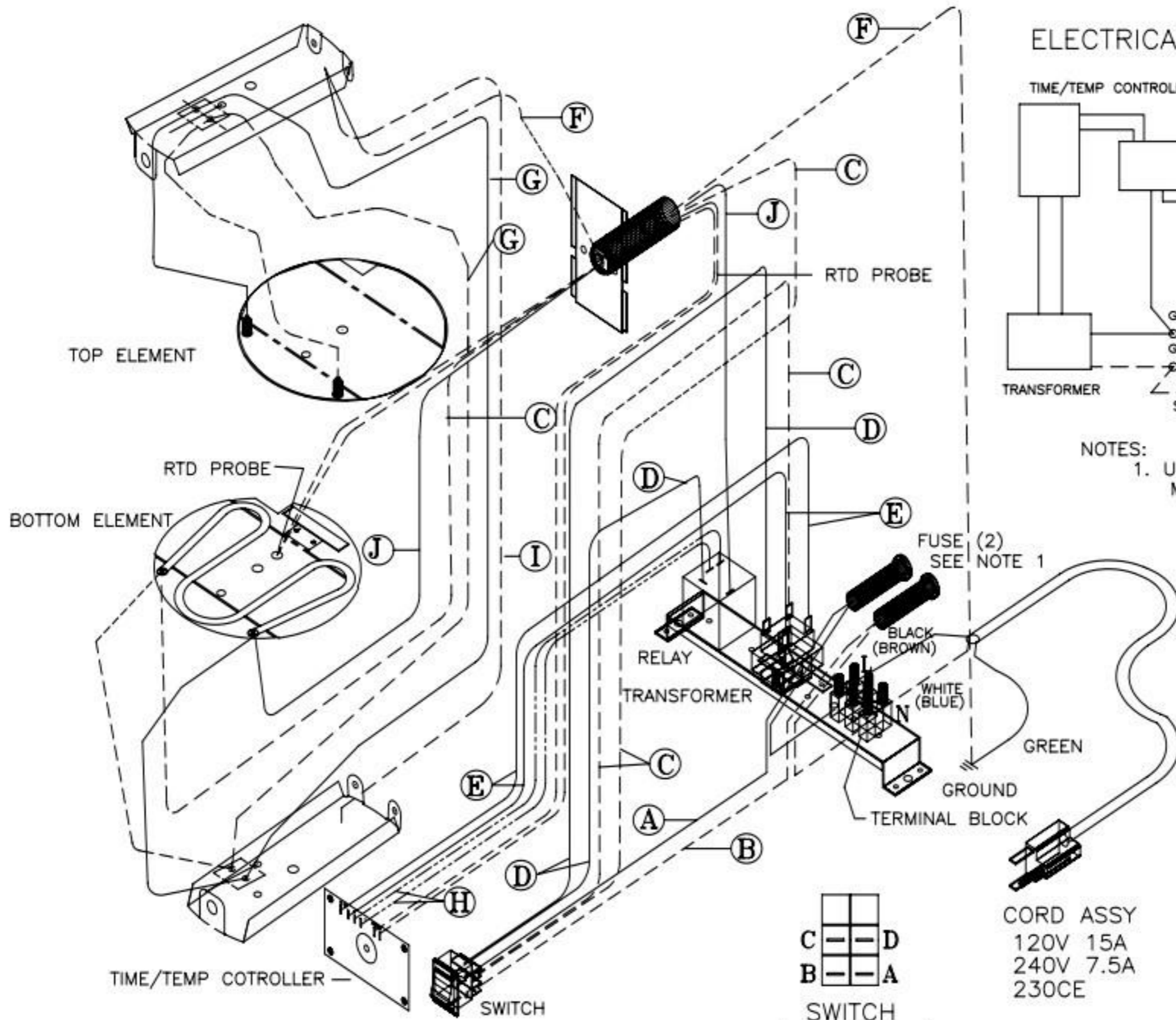
ELECTRICAL SCHEMATIC



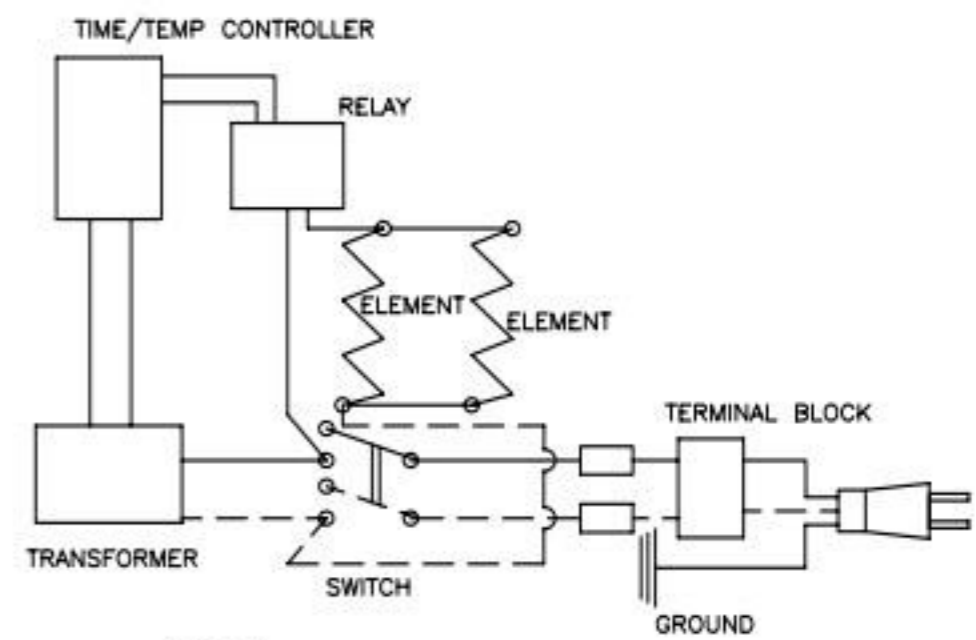
C	---	D
B	---	A

SWITCH
(BACK VIEW)

CORD ASSY
120V 15A
240V 7.5A
230V CE

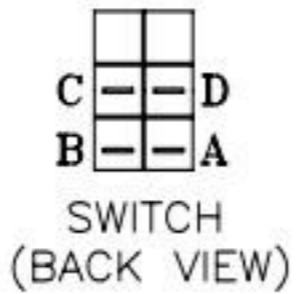


ELECTRICAL SCHEMATIC



NOTES:
1. USE FUSES ON 230V CE MODELS ONLY.

- (A) WIRE ASSEMBLY
- (B) WIRE ASSEMBLY
- (C) WIRE ASSEMBLY
- (D) WIRE ASSEMBLY
- (E) WIRE ASSEMBLY
- (F) WIRE ASSEMBLY
- (G) WIRE ASSEMBLY
- (H) WIRE ASSEMBLY
- (I) WIRE ASSEMBLY
- (J) WIRE ASSEMBLY



CORD ASSY
120V 15A
240V 7.5A
230CE